

SCHWEIZER MODEL 269C HELICOPTER  
ILLUSTRATED PARTS CATALOG

SECTION 7

INTERIOR INSTALLATION

This page is intentionally left blank.

**Jamie**

---

**From:** "Backus, Mary T."  
**To:** "Jamie" <airfliteok@charter.net>  
**Sent:** Tuesday, November 26, 2002 2:30 PM  
**Subject:** RE: Paint code  
Dear Jamie:

Grey paint in interior of helicopters -

Can be purchased from Deft Inc., in Irvine CA (ph. 800-682-4366) MIL-PRF-85285 TY I, Color# 36176 Flat Gray per MIL-PRF-85285 (Deft PN 03-GY-333 - 2 gl kit) Our contact there is Lupe.

Best regards,

*Mary Backus*  
**Spare Sales/Warranty Administrator**  
**SCHWEIZER AIRCRAFT CORP.**

Phone: 1-800-722-7253  
1-607-739-3821 x 4247  
Fax: 1-607-739-3931  
e-mail: [backus.mary@sacusa.com](mailto:backus.mary@sacusa.com)

website: [www.schweizer-aircraft.com](http://www.schweizer-aircraft.com)

*Please note new postal address:*  
**Schweizer Aircraft Corp.**  
**Elmira/Corning Regional Airport**  
**1250 Schweizer Road**  
**Horseheads, NY 14845**

-----Original Message-----

**From:** Jamie [mailto:[airfliteok@charter.net](mailto:airfliteok@charter.net)]  
**Sent:** Tuesday, November 26, 2002 1:57 PM  
**To:** Backus, Mary T.  
**Subject:** Paint code

Hi Mary,

Can you tell me the paint code for the grey paint in the interior of the helicopters.

Thanks,  
Jamie Christy

\*\*\*\*\*

This message and any files transmitted with it are confidential and intended solely for the use of the addressee. If you have received this email in error, please notify [postmaster@sacusa.com](mailto:postmaster@sacusa.com).

\*\*\*\*\*

C

C

C

### Table of Contents

Figure	Title	Page
7-1.	Furnishing Installation . . . . .	7-2
7-2.	Safety Harness Installation . . . . .	7-4
7-3.	Log Book Pocket Installation . . . . .	7-6
7-4.	First Aid Kit Installation . . . . .	7-8

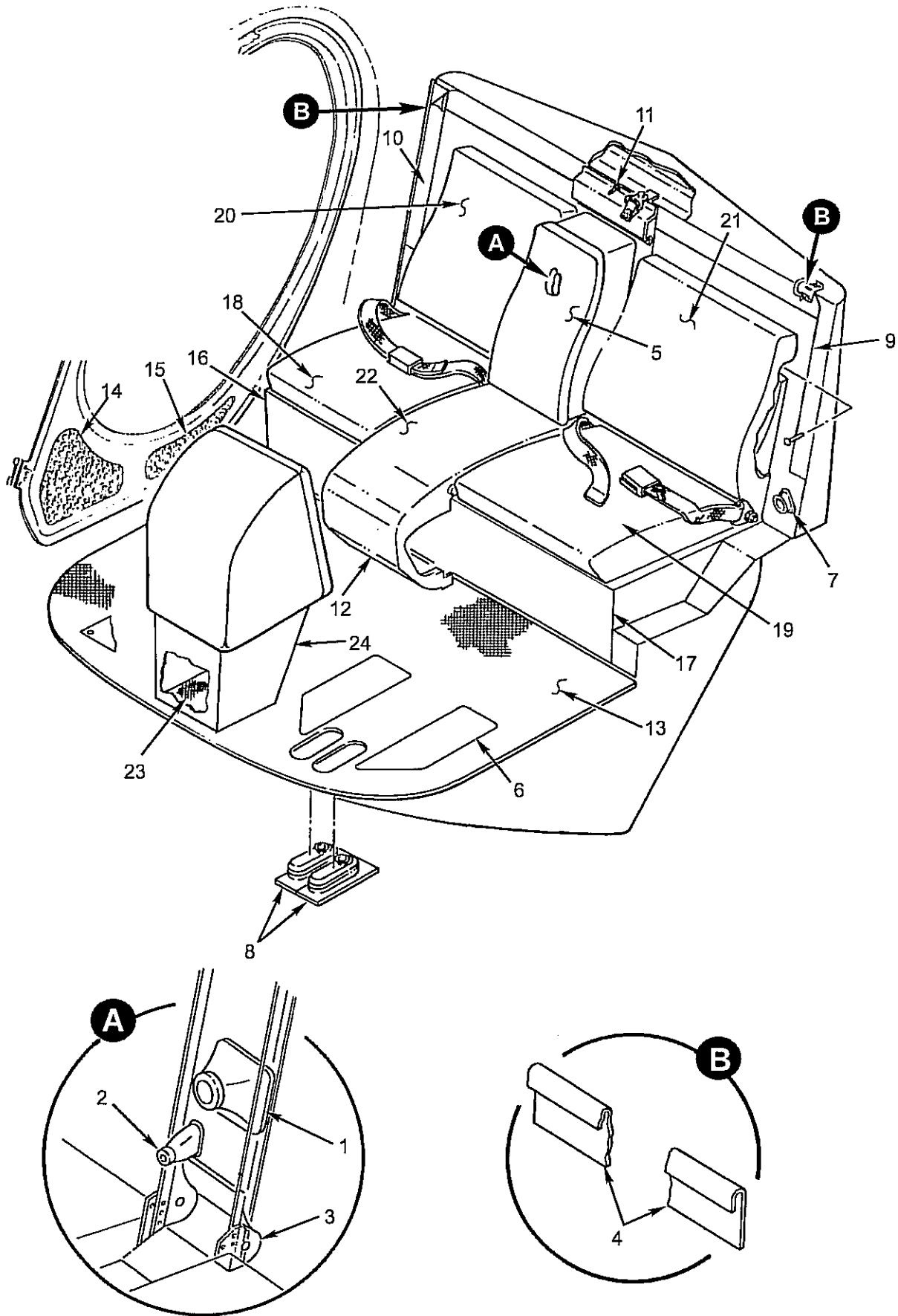


Figure 7-1. Furnishing Installation

FIGURE & INDEX NUMBER	PART NUMBER	DESCRIPTION	QTY PER ASSY	A/C SERIAL NUMBER AFFECTED
7-1	269A4038	FURNISHINGS INST.		
-1	269A4031-9	• BOOT . . . . .	1	
-2	269A4031-7	• BOOT . . . . .	1	
-3	269A4031-5	• BOOT . . . . .	1	
-4	269A4038-19L	• RETAINER . . . . .	2	
-5	269A4042 ****	• CUSHION-BACK CENTER . . . . .	1	
-6	269A4019-19	• HEEL PLATE (LEFT SIDE). . . . .	2	
	269A4019-20	• HEEL PLATE (RIGHT SIDE) . . . . .	2	
	269A4023-7	• SCUFF PLATE (Use with 269A4023-9 Back Plate) . . . . .	4	
	269A4023-9	• BACK PLATE . . . . .	4	
-7	269A4031-3	• BOOT . . . . .	1	
-8	269A4030-3	• BOOT . . . . .	4	
-9	269A4044-11U	• CUSHION SUPPORT-BACK L.H. . . . .	1	
-10	269A4044-12U	• CUSHION SUPPORT-BACK R.H. . . . .	1	
-11	269A4049-3T	• SUPPORT CLOSURE-CENTER TOP . . . . .	1	
-12	269A4043	• SEAT MOLDING-CENTER. . . . .	1	
-13	269A4061-1 *	• FLOOR COVERING ASSY. . . . .	1	
	269A4061-3 **	• FLOOR COVERING ASSY L.H. . . . .	1	
	269A4061-5 **	• FLOOR COVERING ASSY R.H. . . . .	1	
	269A4038-165 ***	• FLOOR COVERING ASSY (BLUE) . . . . .	1	
	269A4038-302 ***	• FLOOR COVERING ASSY (GREY) . . . . .	1	
	269A4038-161 ***	• FLOOR COVERING ASSY (RED) . . . . .	1	
	269A4038-169 ***	• FLOOR COVERING ASSY (GREEN) . . . . .	1	
	269A4038-163 ***	• FLOOR COVERING ASSY (BEIGE). . . . .	1	
	269A4038-167 ***	• FLOOR COVERING ASSY (ORANGE). . . . .	1	
-14	269A4038-XXX ****	• DOOR SCUFF PAD-FORWARD L.H. . . . .	1	
	269A4038-XXX ****	• DOOR SCUFF PAD-FORWARD R.H. . . . .	1	
-15	269A4038-XXX ****	• DOOR SCUFF PAD-REAR L.H. . . . .	1	
	269A4038-XXX ****	• DOOR SCUFF PAD-REAR R.H. . . . .	1	
-16	269A4038-XXX ****	• SEAT SUPPORT COVER R.H. (CARPET *) . . . . .	1	
-17	269A4038-XXX ****	• SEAT SUPPORT COVER L.H. (CARPET *) . . . . .	1	
-18	269A4039-XXX ****	• SEAT CUSHION-BOTTOM R.H. . . . .	1	
-19	269A4039-XXX ****	• SEAT CUSHION-BOTTOM L.H. . . . .	1	
-20	269A4041-XXX ****	• SEAT CUSHION-BACK R.H. . . . .	1	
-21	269A4041-XXX ****	• SEAT CUSHION-BACK L.H. . . . .	1	
-22	269A4040 ****	• CUSHION-BOTTOM CENTER . . . . .	1	
-23	269A4061-7	• FLOOR COVERING - GLOVE BOX . . . . .	1	
-24	13-07900	• LICENSE HOLDER . . . . .	1	
		*Used on helicopters with a 13.38 X 9.0 inch console support structure. Specify color: Red, Beige, Blue Orange, Green, Yellow, or Grey.		
		**Used on helicopters with an extended console support. Specify color: Red, Beige, Blue, Green, or Grey.		
		***Used on helicopters with a 4.25 X 9.0 inch console support.		
		****Specify color: Red, Beige, Blue, Orange, Green, Yellow or Grey.		

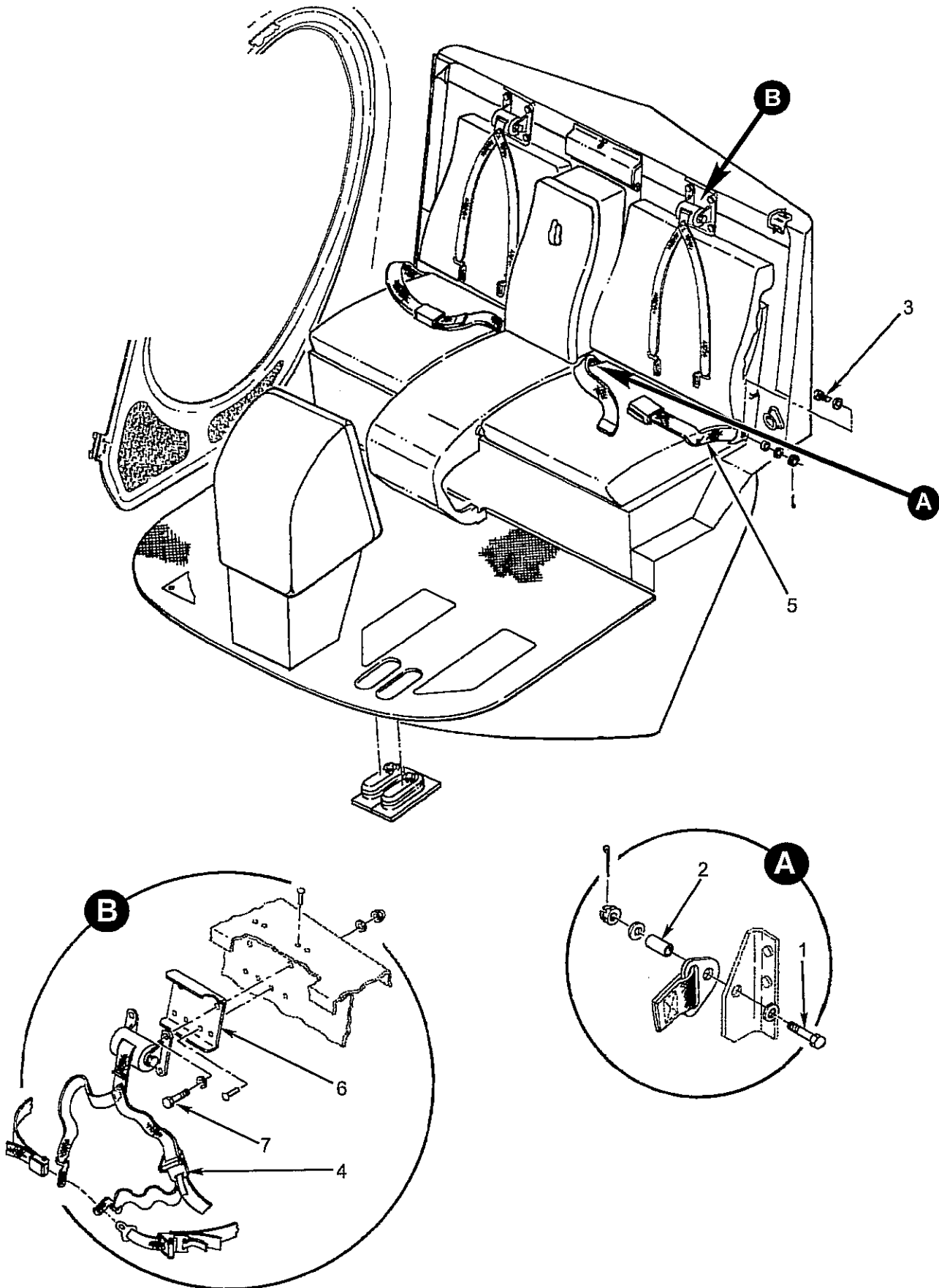


Figure 7-2. Safety Harness Installation



FIGURE & INDEX NUMBER	PART NUMBER	DESCRIPTION	QTY PER ASSY	A/C SERIAL NUMBER AFFECTED
7-2	269A4258	SAFETY HARNESS INST.		
-1	AN4-10	• BOLT . . . . .	4	
	SHS306-326H	• WASHER . . . . .	2	
	MS17826-4	• NUT . . . . .	4	
	AN381-2-10	• COTTER PIN . . . . .	2	
-2	SHS13C312-250-250	• BUSHING . . . . .	2	
-3	AN406	• BOLT . . . . .	4	
	AN960KD416L	• WASHER . . . . .	4	
	MS17826-4	• NUT . . . . .	4	
	AN381-2-10	• COTTER PIN . . . . .	2	
-4	269A4262-27	• SHOULDER HARNESS & REEL (ALT 503100-401) . . . . .	2	
-5	269A4262-25	• SEAT BELT ASSY . . . . .	2	
-6	269A4263-3	• DOUBLER . . . . .	1	
-7	AN3-5A	• BOLT . . . . .	4	
	AN960KD10L	• WASHER . . . . .	4	
	MS20365-1032	• NUT . . . . .	4	

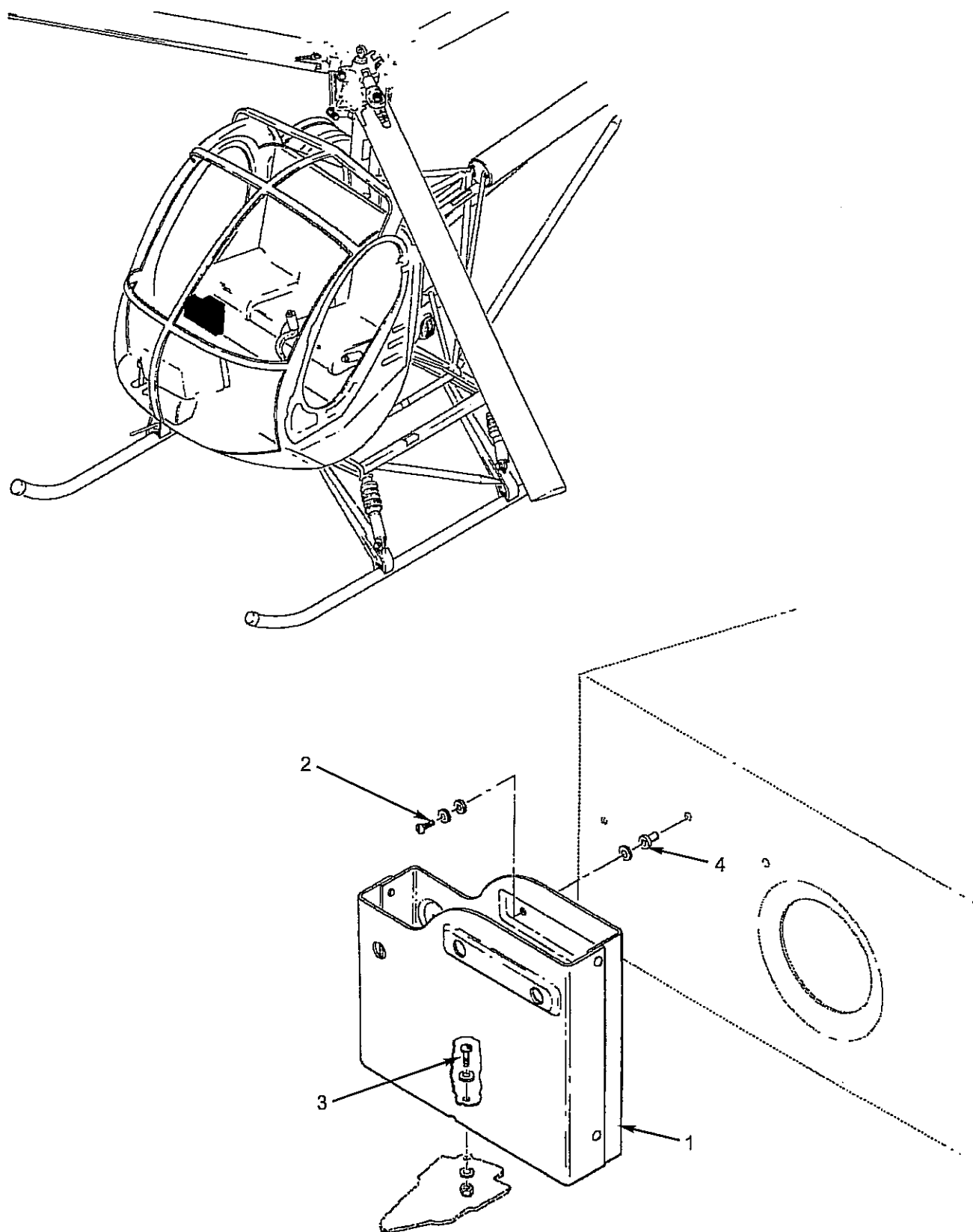


Figure 7-3. Log Book Pocket Installation

FIGURE & INDEX NUMBER	PART NUMBER	DESCRIPTION	QTY PER ASSY	A/C SERIAL NUMBER AFFECTED
7-3	269A4192	LOG BOOK POCKET INST.		
-1	269A4032	▪ LOG BOOK POCKET . . . . .	1	
-2	NAS603-10	▪ SCREW . . . . .	3	
	AN960KD10L	▪ WASHER . . . . .	3	
	AN935-10L	▪ LOCK WASHER . . . . .	3	
	SHS306-324H	▪ WASHER . . . . .	A/R	
-3	NAS603-8	▪ SCREW . . . . .	1	
	AN960KD10L	▪ WASHER . . . . .	2	
	MS21042-3	▪ NUT . . . . .	1	
-4	A10-80	▪ RIVNUT . . . . .	3	

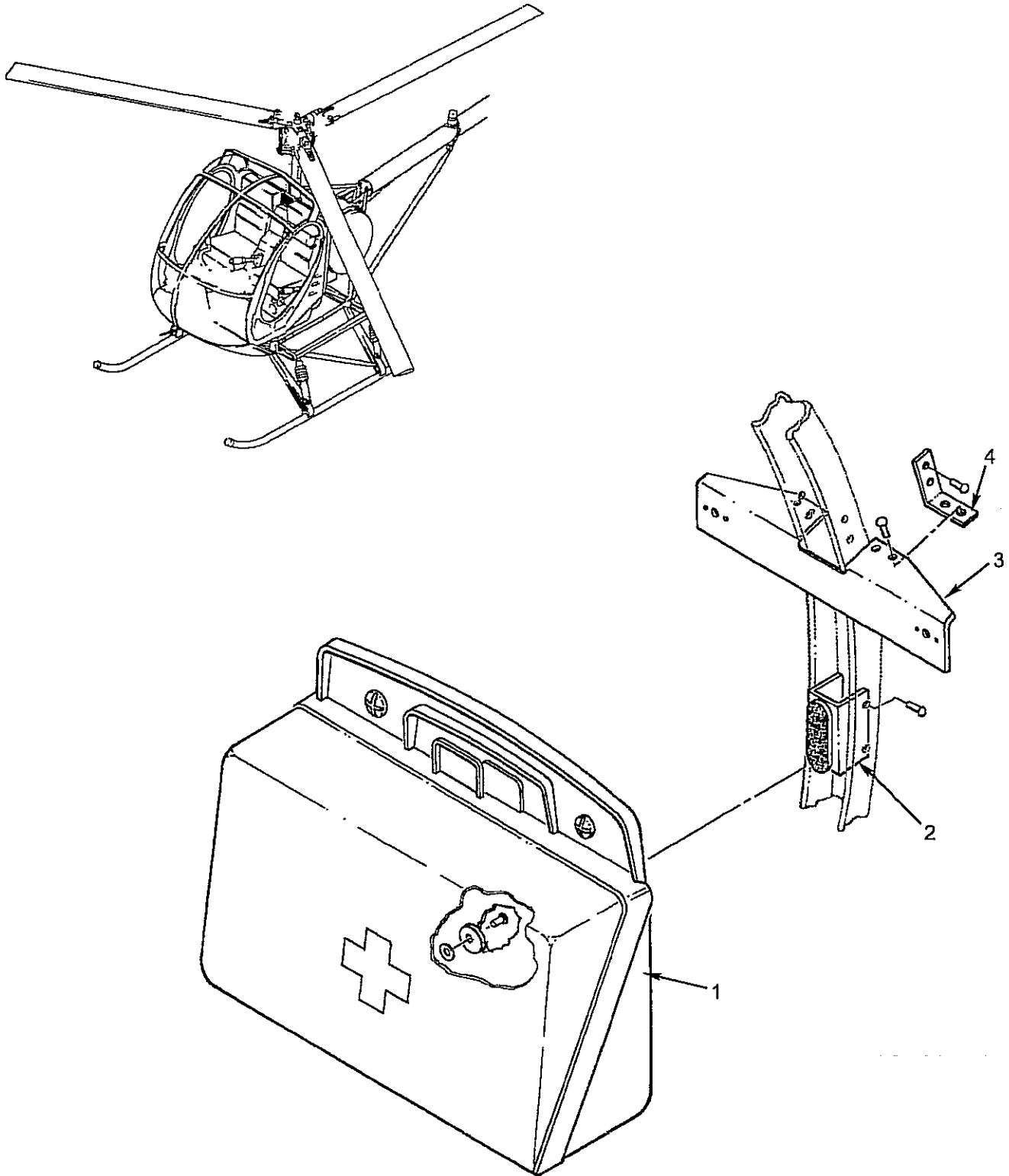


Figure 7-4. First Aid Kit Installation

FIGURE & INDEX NUMBER	PART NUMBER	DESCRIPTION	QTY PER ASSY	A/C SERIAL NUMBER AFFECTED
7-4	269A4339	FIRST AID KIT INST.		
-1	269A4196-3	• FIRST AID KIT . . . . .	1	
-2	269A4338-11	• CLIP . . . . .	1	
	AD42BS	• RIVET . . . . .	4	
-3	269A4338-9	• BRACKET . . . . .	1	
-4	269A4338-5	• ANGLE . . . . .	2	
	AD42BS	• RIVETS . . . . .	4	

This page is intentionally left blank