

FIGURE & INDEX NUMBER	PART NUMBER	DESCRIPTION	QTY PER ASSY	A/C SERIAL NUMBERS AFFECTED
3 -13	269A5491	CLUTCH CONTROL INSTALLATION		
-1	MS21254-3LL	• EYE-TURNBUCKLE (RB 269A5800-13)	1	1166 - 1838
	269A5800-13	• EYE-TURNBUCKLE	1	
-2	269A5489	• CLEVIS	1	
	NAS1303-8D	• BOLT	1	
	AN960-10L	• WASHER	1	
	MS17826-3	• NUT	1	
	MS24665-151	• COTTER PIN	1	
-3	269A4564-5	• LINEAR ACTUATOR.	1	1166 - 1735 1736 & Subs.
	269A4564-9	• LINEAR ACTUATOR.	1	
-4	269A5491-5	• BRACKET	1	
	NAS1304-12D	• BOLT	1	
	AN960KD416L	• WASHER	1	
	MS17826-4	• NUT	1	
	MS24665-151	• COTTER PIN	1	
-5	MS21251B3L	• TURNBUCKLE (RB MS21251B5L)	1	1166 - 1838
	MS21251B5L	• TURNBUCKLE	1	
	MS21256-2	• CLIP	2	
-6	269A5472	• BRACKET	2	
-7	AN23-14	• BOLT	1	
	AN960-10L	• WASHER	1	
	MS17826-3	• NUT	1	
	MS24665-151	• COTTER PIN	1	
-8	SHS12-4-028-028	• BUSHING	1	
-9	269A4337-3	• SPACER	2	
-10	AN24-14	• BOLT	1	
	AN960-416L	• WASHER	1	
	MS17826-4	• NUT	1	
	MS24665-151	• COTTER PIN	1	
-11	AN219-4	• PULLEY (ALT MS20219-4)	1	
-12	NAS427K8	• PIN	2	

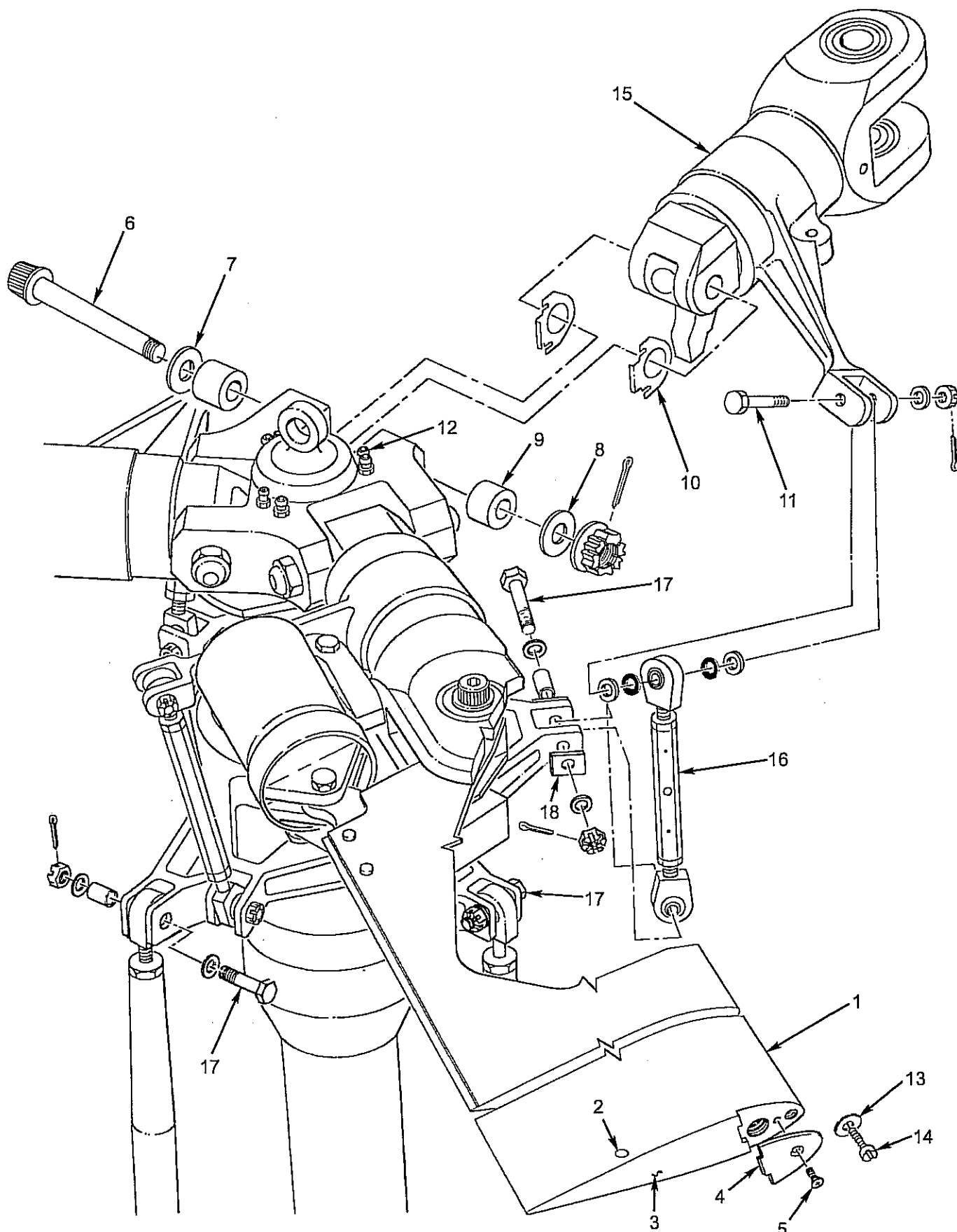


Figure 3-14. Main Rotor Installation

FIGURE & INDEX NUMBER	PART NUMBER	DESCRIPTION	QTY PER ASSY	A/C SERIAL NUMBER AFFECTED
3 -14	269A1002	MAIN ROTOR INSTALLATION		
-1	269A1185-1 269A1185-7 269A1185-9 269A5050-61	• BLADE ASSY • OPTIONAL MODIFIED BLADES (Limited number) • OPTIONAL MODIFIED BLADES (Limited number) •• BEARING (Trailing Edge)	3 1	
-2	MS20604AD3C2	•• RIVET	2	
-3	269A1171	•• TIP CAP, AFT	1	
-4	269A1174-3	•• TIP CAP, FWD	1	
-5	NAS517-3-0	•• SCREW	1	
-6	269A1354 269A1355 MS24665-374	• BOLT • NUT • COTTER PIN	3 3 3	
-7	269A1356 269A1356-3	• WASHER (RB 269A1356-3) • WASHER	3 3	
-8	MS21206-12	• WASHER	3	
-9	269A5050-71	• BEARING <i>Mapping hinge.</i>	6	
-10	269A1209	• THRUST WASHER	6	
-11	NAS464P4-14 NAS6204-160 MS28775-013 269A6073 AN960-416L MS17826-4 MS24665-153	• BOLT (ALT NAS1104-14D; Use with 269A1221-3 or -5) • BOLT (Use with 269A1221-7 Assy) • PACKING • SHIM (Use with 269A1221-7 Assy) • WASHER • NUT • COTTER PIN	3 3 6 6 3 3 3	1166 - 1799 1800 & Subs.
-12	MS15002	• GREASE FITTING	6	
-13	AN960C10	• BALANCE WASHER (ALT AN970-3, HS306-227L)	AR	
-14	MS35266-63	• BALANCE SCREW (ALT MS35266-64 or -65)	AR	
-15	269A1221-3 269A1221-5 269A1221-7	• PITCH BEARING ASSY (Fig. 3-18) • PITCH BEARING ASSY (Fig. 3-18) • PITCH BEARING ASSY (Fig. 3-18)	REF REF REF	1166 - 1476 1477 - 1799 1800 & Subs.
-16	269A1338 269A1338-3 269A5050-59 AN315-6R 269A5050-60 AN315-6L	• ROD ASSY •• ROD •• BEARING (Upper R.H.) (ALT 269A5050-92) •• NUT (ALT AN316-6R) •• BEARING (Lower L.H.) (ALT 269A5050-93) •• NUT (ALT AN316-6L)	3 1 1 1 1	
-17	NAS464P4-17 SHS626-4-240 AN960-416L MS17826-4 MS24665-153	• BOLT (ALT NAS1104-17D) • BUSHING • WASHER • NUT • COTTER PIN	5 5 10 5 5	
-18	269A1181-3	• INTERRUPTER	4	

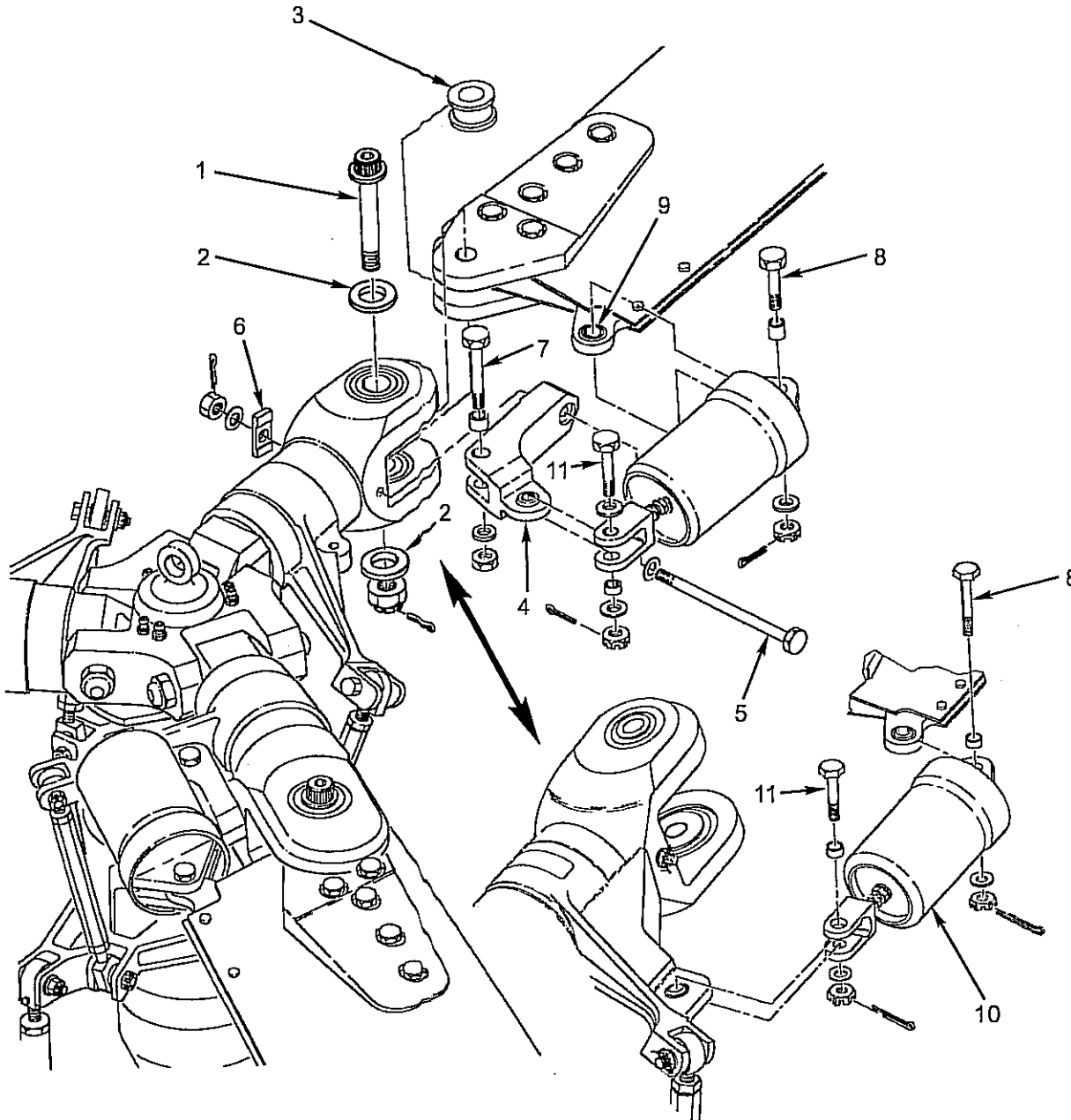


Figure 3-15. Main Rotor Installation

FIGURE & INDEX NUMBER	PART NUMBER	DESCRIPTION	QTY PER ASSY	A/C SERIAL NUMBER AFFECTED
3-15	269A1002	MAIN ROTOR INSTALLATION		
-1	SHS1446-10-68 AN310-10 MS24665-370	<ul style="list-style-type: none"> • BOLT 3 • NUT 3 • COTTER PIN 3 		
-2	269A1230	<ul style="list-style-type: none"> • RETAINER WASHER 6 		
-3	269A1115	<ul style="list-style-type: none"> • SPACER 3 		
-4	269A1291 269A5050-61	<ul style="list-style-type: none"> • FITTING (Use with 269A1221-3 & -5 Assy) 3 • BEARING 1 		1166 - 1799
-5	NAS1304-70D NAS1304-54D AN960KD416 MS17825-4 MS24665-153	<ul style="list-style-type: none"> • BOLT (Use with 269A1221-3 & -5 Assy) 3 • BOLT (Use with 269A1221-7 Assy) 3 • WASHER 3 • NUT 3 • COTTER PIN 3 		1166 - 1799 1800 & Subs.
-6	269A1207	<ul style="list-style-type: none"> • SPACER (Use with 269A1221-3 & -5 Assy) 3 		1166 - 1799
-7	NAS1305-23 SHS626-S-5-390 AN960KD516 MS21042-5	<ul style="list-style-type: none"> • BOLT 3 • BUSHING 3 • WASHER 3 • NUT 3 		1166 - 1799 1166 - 1799 1166 - 1799 1166 - 1799
-8	NAS1305-14D SHS626-S-5-350 AN960KD516 MS17825-5 MS24665-153	<ul style="list-style-type: none"> • BOLT 3 • BUSHING 3 • WASHER 3 • NUT 3 • COTTER PIN 3 		
-9	269A5050-61	<ul style="list-style-type: none"> • BEARING (Part of 269A1185-1) 3 		
-10	269A1290-1 269A1290-3	<ul style="list-style-type: none"> • DAMPER (Interchangeable with 269A1290-3) 3 • DAMPER (Interchangeable with 269A1290-1) 3 		1166 - 1599 1600 & Subs.
-11	NAS6205-15D NAS6205-16D AN960-516L SHS626-S-5-350 MS17825-4 MS24665-153	<ul style="list-style-type: none"> • BOLT (Use with 269A1290-1) 3 • BOLT (Use with 269A1290-3) 3 • WASHER (ALT AN960-516) 3 • BUSHING (Use with 269A1290-3) 3 • NUT 3 • COTTER PIN 3 		1166 - 1599 1600 & Subs. 1600 & Subs.

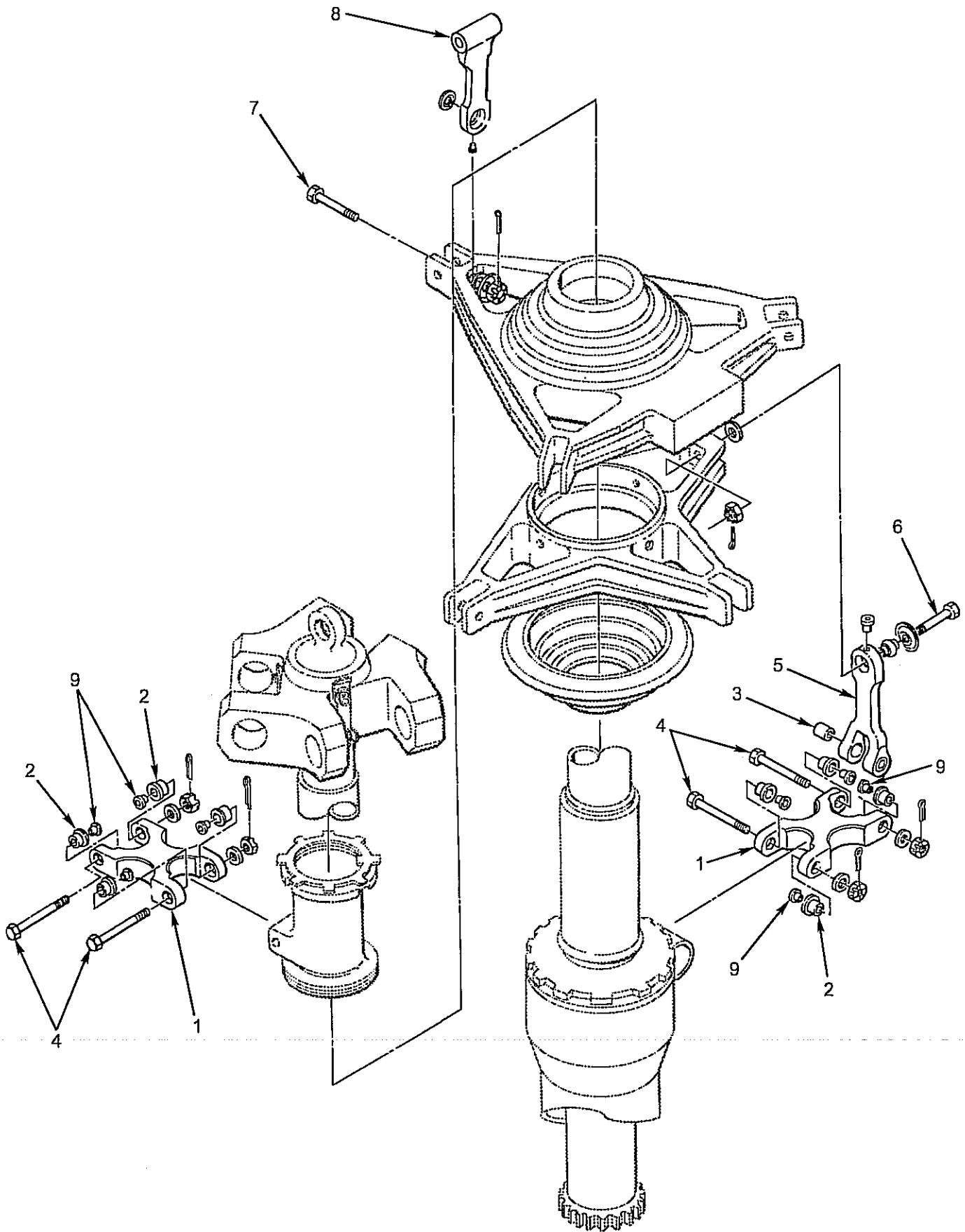


Figure 3-16. Main Rotor Installation

FIGURE & INDEX NUMBER	PART NUMBER	DESCRIPTION	QTY PER ASSY	A/C SERIAL NUMBER AFFECTED
3-16	269A1002	MAIN ROTOR INSTALLATION		
-1	269A1311-1	• ARM ASSY	2	
-2	269A1312	• • BUSHING.	4	
-3	SHS626-S-4-456	• BUSHING	1	
-4	NAS464P4-34	• BOLT (ALT NAS1104-34D).	4	
	AN960-416L	• WASHER	4	
	MS17826-4	• NUT	4	
	MS24665-153	• COTTER PIN	4	
-5	269A1336	• LINK ASSY	1	
	269A5050-40	• • BEARING.	1	
	NAS516-1A	• • GREASE FITTING	1	
-6	NAS464P5-24	• BOLT(ALT NAS1105-24D)	1	
	269A6233	• WASHER	1	
	AN960KD516L	• WASHER	1	
	MS17826-5	• NUT	1	
	MS24665-153	• COTTER PIN	1	
-7	NAS464P4-22	• BOLT (ALT NAS1104-22D).	1	
	269A1263	• WASHER	1	
	AN960KD416	• WASHER	1	
	MS17826-4	• NUT	1	
	MS24665-153	• COTTER PIN	1	
-8	269A1335	• LINK ASSY (RB 269A1335-7).	1	
	269A1335-7	• LINK ASSY.	1	
	269A5050-39	• • BEARING.	1	
	NAS516-1A	• • GREASE FITTING	1	
-9	269A1323	• BUSHING	4	

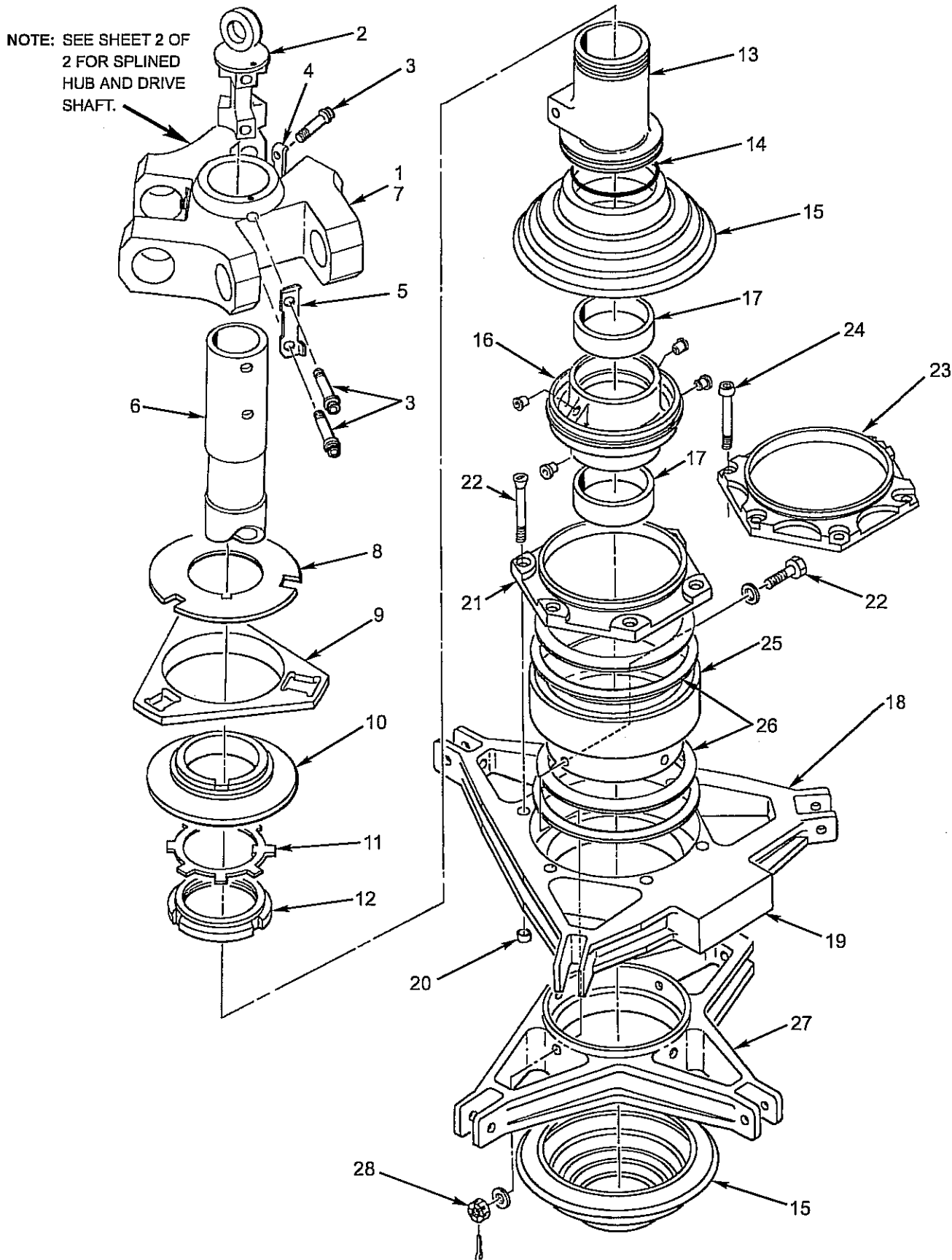


Figure 3-17. Main Rotor Installation (Sheet 1 of 2)

FIGURE & INDEX NUMBER	PART NUMBER	DESCRIPTION	QTY PER ASSY	A/C SERIAL NUMBER AFFECTED
3-17	269A1002	MAIN ROTOR INSTALLATION		
-1	269A5305-9	• SHAFT & HUB ASSY (RB 269A5305-109)	1	1166 - 1716
	269A5305-109	• SHAFT & HUB ASSY (Oil Filled)	1	1717 & 1838
-2	269A5305-7	•• FITTING (NP)	1	
-3	269A1229-1	•• BOLT (Standard .3735/.3745 Dia.)	6	
	269A1232	•• BOLT (1st oversize .3891/.3901 Dia.)	6	
	269A1232-3	•• BOLT (2nd oversize .4047/.4057 Dia.)	6	
	269A1232-5	•• BOLT (3rd oversize .4042/.4214 Dia.)	6	
-4	269A1228-3	•• PLATE (.378/.388 Dia. Holes) (Use with 269A1229-1)	2	
	269A1228-7	•• PLATE (.393/.403 Dia. Holes) (Use with 269A1232 & -3)	2	
	269A1228-11	•• PLATE (.422/.430 Dia. Holes) (Use with 269A1232-5)	2	
-5	269A1228-5	•• PLATE (.378/.388 Dia. Holes) (Use with 269A1229-1)	1	
	269A1228-9	•• PLATE (.393/.403 Dia. Holes) (Use with 269A1232 & -3)	1	
	269A1228-13	•• PLATE (.422/.430 Dia. Holes) (Use with 269A1232-5)	1	
-6	269A5305-11	•• SHAFT (NP) (RB 269A5326-1 Shaft Assy; Sheet 2 of 2)	1	1166 - 1838
-7	269A5305-13	•• HUB (NP) (RB 269A5325-1 Hub Assy; Sheet 2 of 2)	1	1166 - 1838
-8	269A1320	• PLATE	1	
-9	269A1329	• RING	1	
-10	269A1332	• RETAINER	1	
-11	SAE W-12	• WASHER	1	
-12	269A1340	• NUT	1	
-13	269A1328	• SUPPORT ASSY (RB 269A1328-901)	1	1166 - 1539
	269A1328-901	• SUPPORT ASSY (RB 269A1328-7)	1	1540 - 1868
	269A1328-7	• SUPPORT ASSY	1	1869 & Subs.
-14	MS28775-134	•• O-RING	1	
-15	269A1310-5	• DUST BOOT	2	
-16	269A1339	• SLEEVE ASSY-MAIN ROTOR	1	
	NAS516-1A	•• GREASE FITTING	4	
-17	269A1324	•• LINER	2	
-18	269A1333-5	• SWASHPLATE ASSY-M/R (RB 269A1333-9)	1	1166 - 1717
	269A1333-7	• SWASHPLATE ASSY-M/R (ALT for 269A1333-5)	1	1166 - 1717
	269A1333-9	• SWASHPLATE ASSY-M/R	1	1718 & Subs.
	269A1333-13	• SWASHPLATE ASSY-M/R (ALT for 269A1333-9)	1	1718 & Subs.

See following pg for Splined Hub + shaft

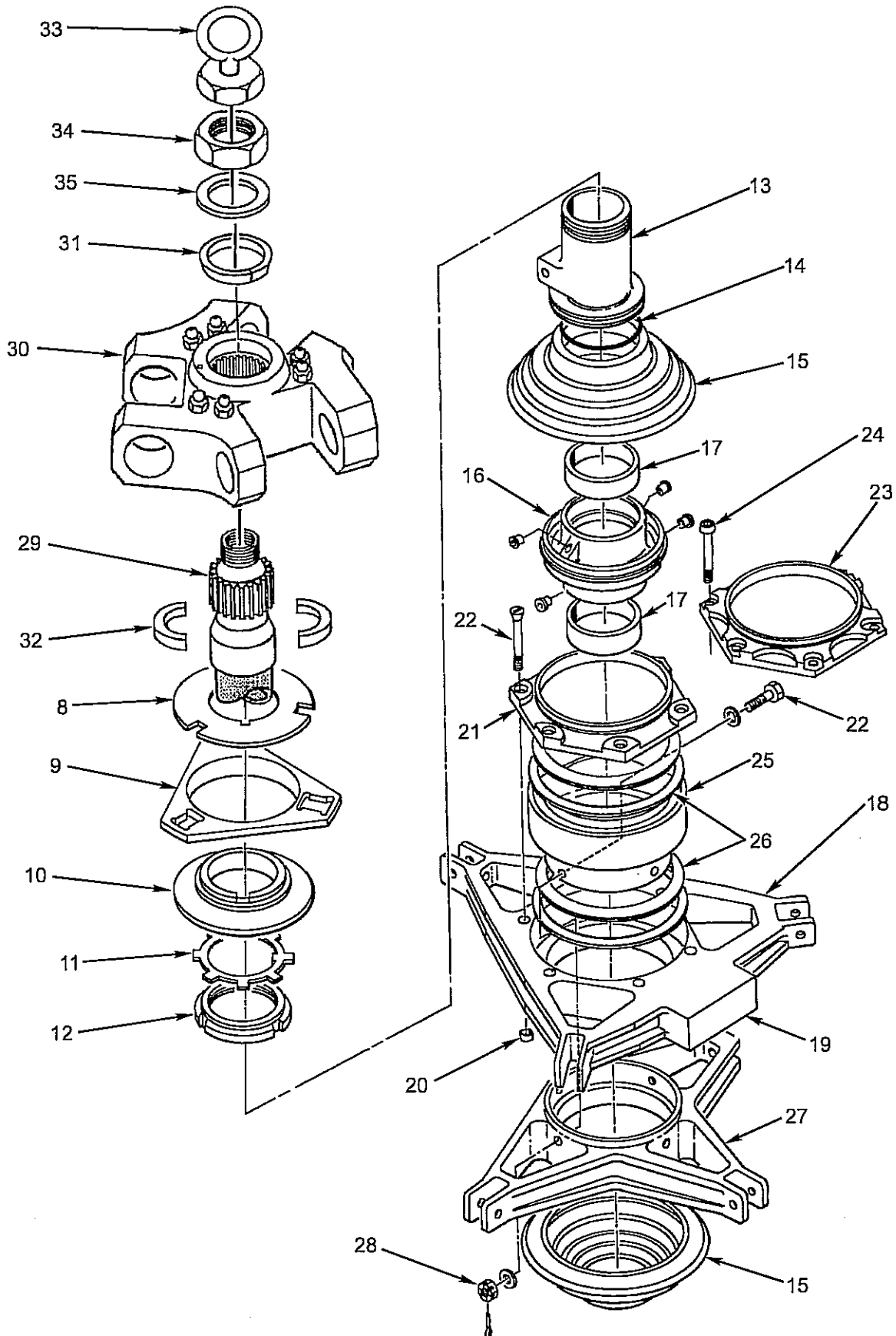


Figure 3-17. Main Rotor Installation (Sheet 2 of 2)

For New Splined Hub + Shaft
269A1328-007 Support
Rp: 269A1328-901

* Sold as set only
Clamps can not be sold Separately.

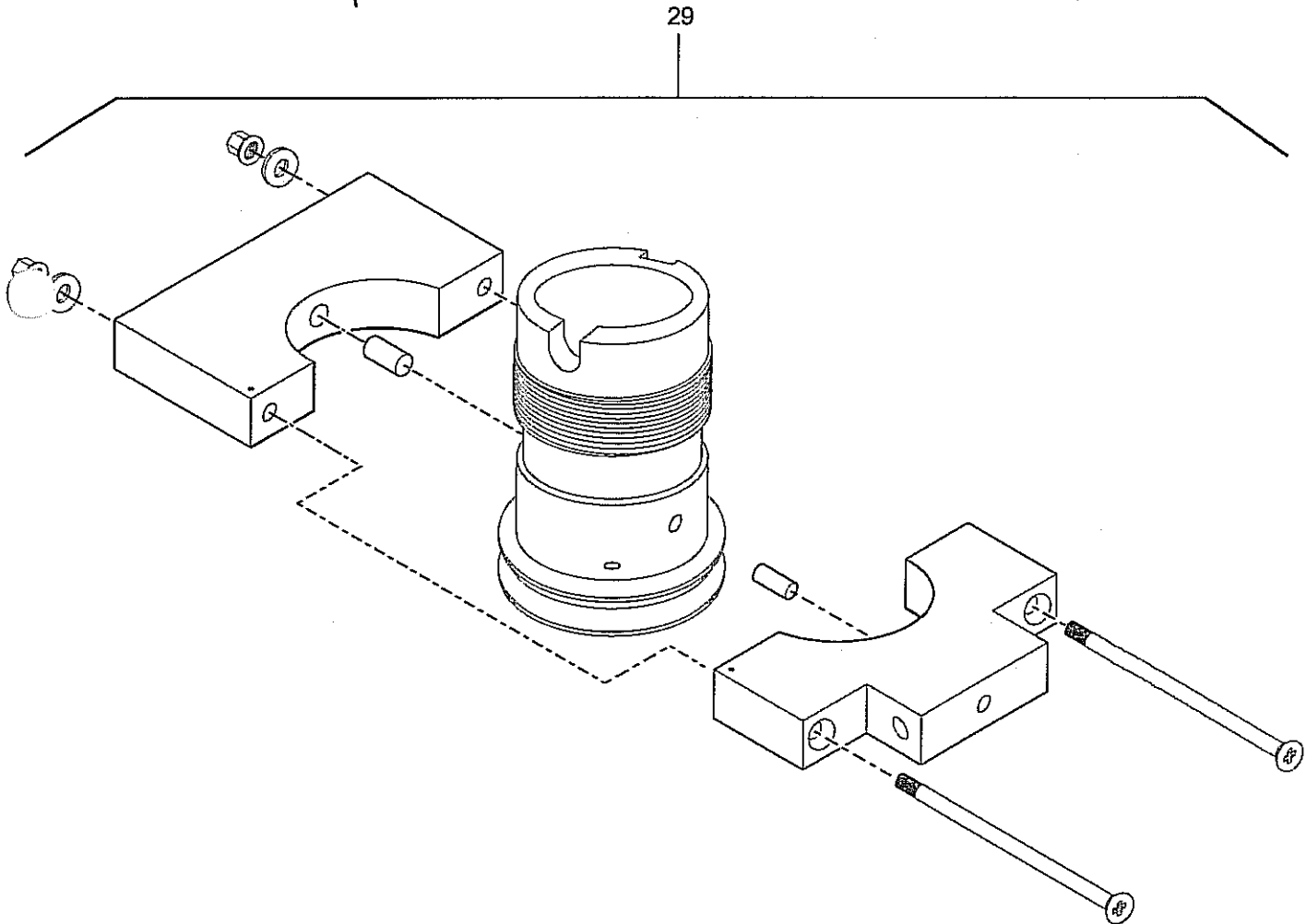


Figure 3-3. Main Rotor Drive Shaft and Components (Sheet 2 of 2)

C

C

C

FIGURE & INDEX NUMBER	PART NUMBER	DESCRIPTION	QTY PER ASSY	A/C SERIAL NUMBER AFFECTED
3-17	269A1002	MAIN ROTOR INSTALLATION (CONT)		
-19	269A1331 269A1331-5	•• SWASH PLATE-UPPER (Used in 269A1333-5 and -9 Assy) •• SWASH PLATE-UPPER (Used in 269A133-7 Assy; Spare Replacement Order 269A1331 Assy)	1 1	
-20	NAS1394C-4L	••• INSERT	6	
-21	269A1334-5	•• RETAINER (Use NAS 584- Bolts; RB Kit No. SA-269K-087 -3 on 269A1331-5 Swashplate-Upper or SA-269K-087-1 on 269A1331-9 Swashplate-Upper)	1	1166 - 1717
-22	NAS584-17 NAS584-15	•• BOLT (Use in 269A1331 Swashplate-Upper) •• BOLT (Use in 269A1331-5 Swashplate-Upper)	6 6	1166 - 1717 1166 - 1717
-23	269A1360-1	•• RETAINER (Use MS20004- Bolts)	1	1718 & Subs.
-24	MS20004-14 MS20004-12	•• BOLT (Use w/ 269A1331 Swashplate-Upper) •• BOLT (Use w/ 269A1331-5 Swashplate-Upper)	6 6	1718 & Subs. 1718 & Subs.
-25	269A1301	•• BEARING ASSY	1	
-26	269A1301-3 269A1301-5	••• SEAL ••• RING-SNAP	2 2	
-27	269A1330-7 269A1330-9	•• SWASHPLATE-LOWER (Used in 269A1333-5, -7, -9 Assy) •• SWASHPLATE-LOWER (Used in 269A1333-13 Assy)	1 1	
-28	AN174-6 AN960-416L AN960KD416 AN310-4 MS24665-153	•• BOLT (ALT NAS1304-5D) •• WASHER •• WASHER •• NUT •• COTTER PIN	4 4 4 4 4	
-29	269A5326-1	• SHAFT ASSY	1	1839 & Subs.
-30	269A5325-1 MS15002-1 269A4646-101 269A4646-125	• HUB ASSY •• GREASE FITTING •• PLACARD (SEE FIG. 9-1) •• PLACARD (SEE FIG. 9-1)	1 6 1 1	1839 & Subs. 1839 & Subs.
-31	269D5312-7	• COLLET, UPPER	1	1839 & Subs.
-32	269D5312-9	• COLLET SET, LOWER	1	1839 & Subs.
-33	269D5313-1	• LOCKNUT ASSY	1	1839 & Subs.
-34	269D5313-5	• NUT	1	1839 & Subs.
-35	269D5314-3	• WASHER	1	1839 & Subs.

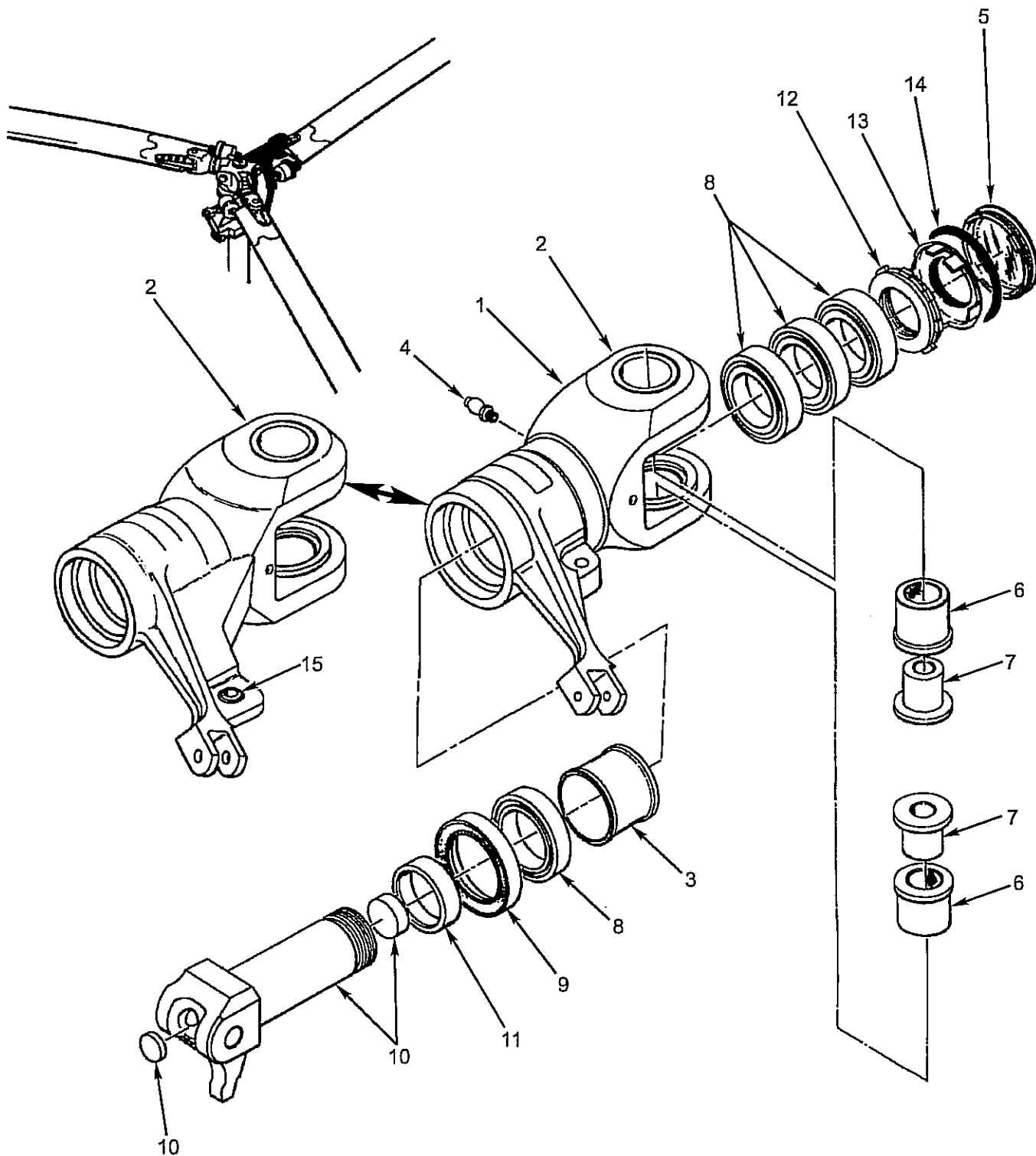


Figure 3-18. Pitch Bearing Assembly

FIGURE & INDEX NUMBER	PART NUMBER	DESCRIPTION	QTY PER ASSY	A/C SERIAL NUMBER AFFECTED
3-18	269A1221	PITCH BEARING ASSEMBLY		
-1	269A1221-3	• PITCH BEARING ASSY (RB 269A1221-5)	3	1166-1475
	269A1221-5	• PITCH BEARING ASSY (RB 269A1221-7)	3	1476-1799
	269A1221-7	• PITCH BEARING ASSY	3	1800 & Subs.
-2	269A1220-5	•• CASE ASSY (RB 269A1220-9)	1	1166-1479
	269A1220-9	•• CASE ASSY (RB 269A1220-13)	1	1480-1799
	269A1220-13	•• CASE ASSY	1	1800 & Subs.
-3	269A1206	••• SLEEVE	1	
-4	MS15002	••• GREASE FITTING	1	
-5	269A1245	•• CAP	1	
-6	269A1227	•• FLANGED BEARING (RB 269A1227-17 in sets of 6)	2	1166 - 1295
	269A1227-7	•• FLANGED BEARING (RB 269A1227-17 in sets of 6)	2	1296 - 1352
	269A1227-11	•• FLANGED BEARING (RB 269A1227-17 in sets of 6)	2	1353 - 1457
	269A1227-15	•• FLANGED BEARING (RB 269A1227-17 in sets of 6)	2	1458 - 1639
	269A1227-17	•• FLANGED BEARING (Used in sets of 6)	2	1640 & Subs.
-7	269A1219-3	•• SLEEVE (Used in sets of 6, RB 269A1219-5)	2	1166 - 1353
	269A1219-5	•• SLEEVE (Used in sets of 6)	2	1354 & Subs.
-8	269A1231	•• BEARING SET	1	
-9	63X991	•• SEAL-KLOSURE	1	
-10	269A1240-7	•• SHAFT ASSY	1	
	269A1275	••• PLUG, LARGE.	1	
	269A1276	••• PLUG, SMALL.	1	
-11	269A1206	•• SLEEVE	1	
-12	SL61N-9F	•• LOCKNUT	1	
-13	SL61W-9F	•• LOCKWASHER	1	
-14	AN6230-8	•• GASKET (ALT MS28775-230)	1	
-15	269A5050-61	•• BEARING	1	

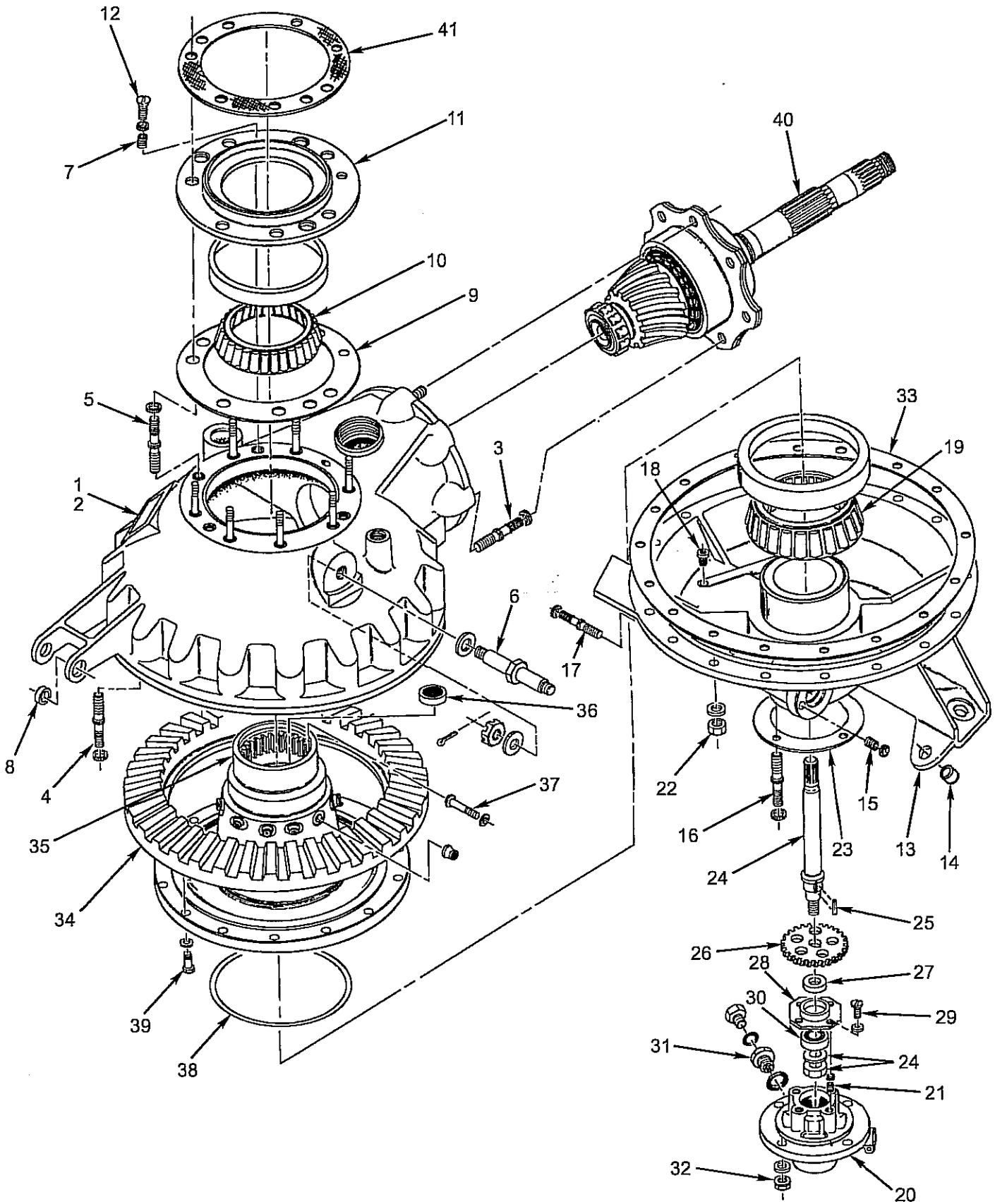


Figure 3-19. Gear Drive Assembly - Main Rotor

FIGURE & INDEX NUMBER	PART NUMBER	DESCRIPTION	QTY PER ASSY	A/C SERIAL NUMBER AFFECTED
3-19	269A5175	GEAR DRIVE ASSEMBLY - MAIN ROTOR		
-1	269A5175-15	• GEARBOX ASSY	1	1166 - 1422
	269A5175-19	• GEARBOX ASSY	1	1423 - 1639
	269A5175-23	• GEARBOX ASSY (Also installed in A/C S/N 1634)	1	1640 - 1808
	269A5175-37	• GEARBOX ASSY	1	1809 & Subs
-2	269A5182-7	•• HOUSING ASSY, UPPER	1	1166 - 1808
	269A5210-1	•• HOUSING ASSY, UPPER (See Fig. 3-20, Sheet 2 of 2).	1	1809 & Subs
-3	SF111-11SA-14A	••• ROSAN STUD (Alt MS51989-106-14)	7	
	RL28SB-8	••• LOCK RING	7	
-4	SF111-11SA-16A	••• ROSAN STUD (Alt MS51989-106-16)	18	
	RL28SB-8	••• LOCK RING	18	
-5	SF111-11SA-19A	••• ROSAN STUD (Alt MS51989-106-19)	8	
	RL28SB-8	••• LOCK RING	8	
-6	269A5154	••• SHAFT	1	
	AN960-816	••• WASHER	1	
	AN320-C8	••• NUT	1	
	MS24665-302	••• COTTER PIN	1	
-7	RD206SB-8	••• ROSAN INSERT	3	
	RL28SB-8	••• LOCK RING	3	
-8	269A5186	•• BUSHING	1	
-9	269A5102	•• SHIM*	1	
-10	269A5051-6	•• BEARING CONE *	1	
	269A5051-11	•• BEARING CUP *	1	
-11	269A5114	•• COVER ASSY	1	
-12	NAS514P-428-10	•• SCREW*	3	
-13	269A5105	•• HOUSING ASSY, LOWER	1	1166 - 1808
	269A5212-1	•• HOUSING ASSY, LOWER (See Fig. 3-20, Sheet 2 of 2)	1	1809 & Subs
-14	269A5152	••• BUSHING	2	
	269A5153	••• BUSHING (Not shown)	1	
-15	R205SB-7	••• INSERT	3	
	RLRR24SB-7	••• LOCK RING	3	
-16	SF91-7SA10A	••• ROSAN STUD (Alt MS51989-104-10)	4	
	RL21SB-6	••• LOCK RING	4	
-17	SF91-7SA26A	••• ROSAN STUD (Alt MS51989-104-26)	4	
	RL21SB-6	••• LOCK RING	4	
-18	AN932M3	••• PLUG	1	
-19	269A5051-10	•• BEARING CONE*	1	
	269A5051-9	•• BEARING CUP*	1	
-20	269A5109	•• RETAINER ASSY	1	
-21	RD104SB-6	••• INSERT	4	
	RL21SB-6	••• LOCK RING	4	
-22	NAS1291-5	•• NUT	18	
	AN960KD516	•• WASHER	18	
-23	269A5107	•• SHIM*	AR	
-24	269A5141	•• SHAFT	1	
	AN960C716	•• WASHER*	1	
	NAS679A7	•• NUT *	1	

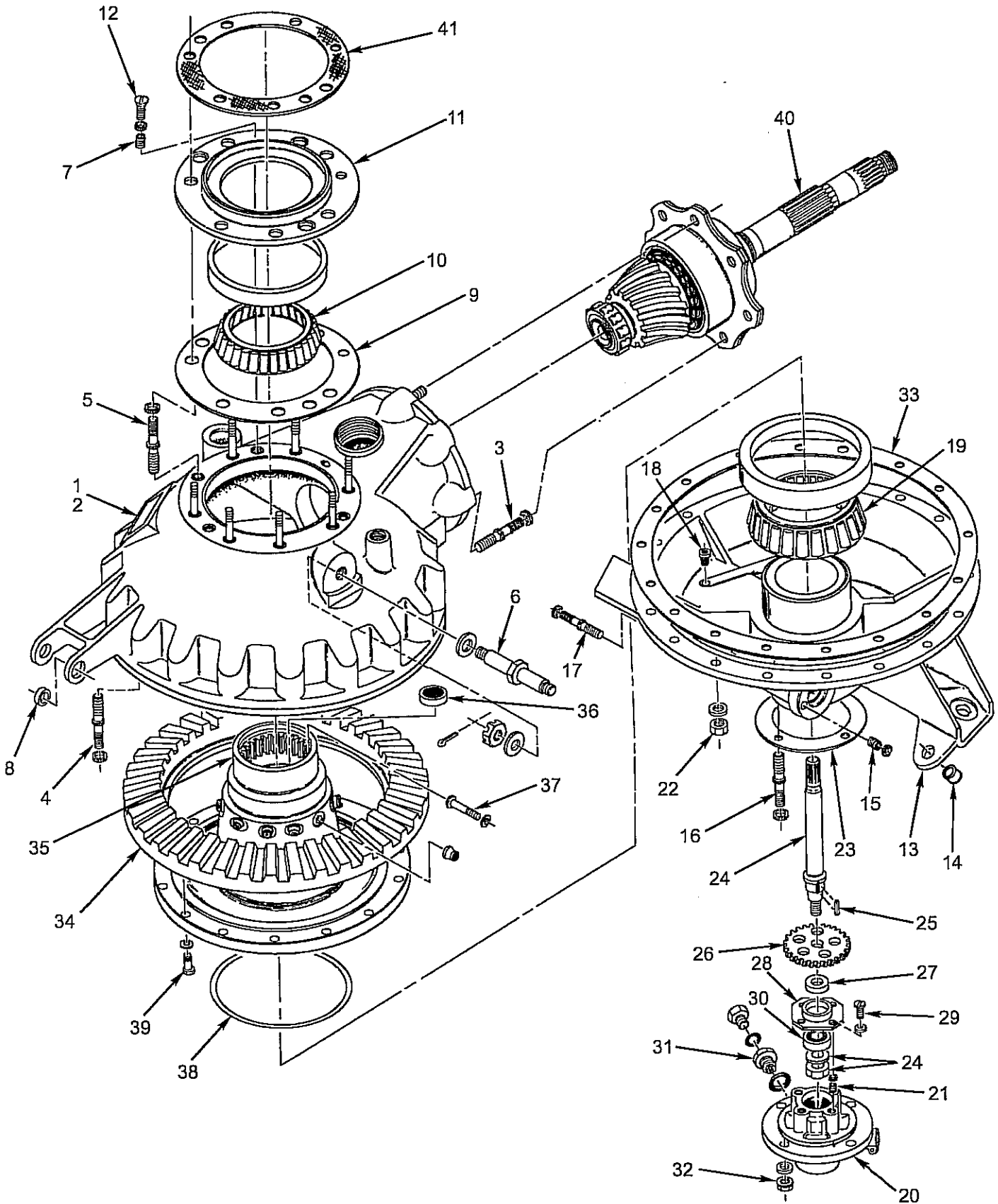
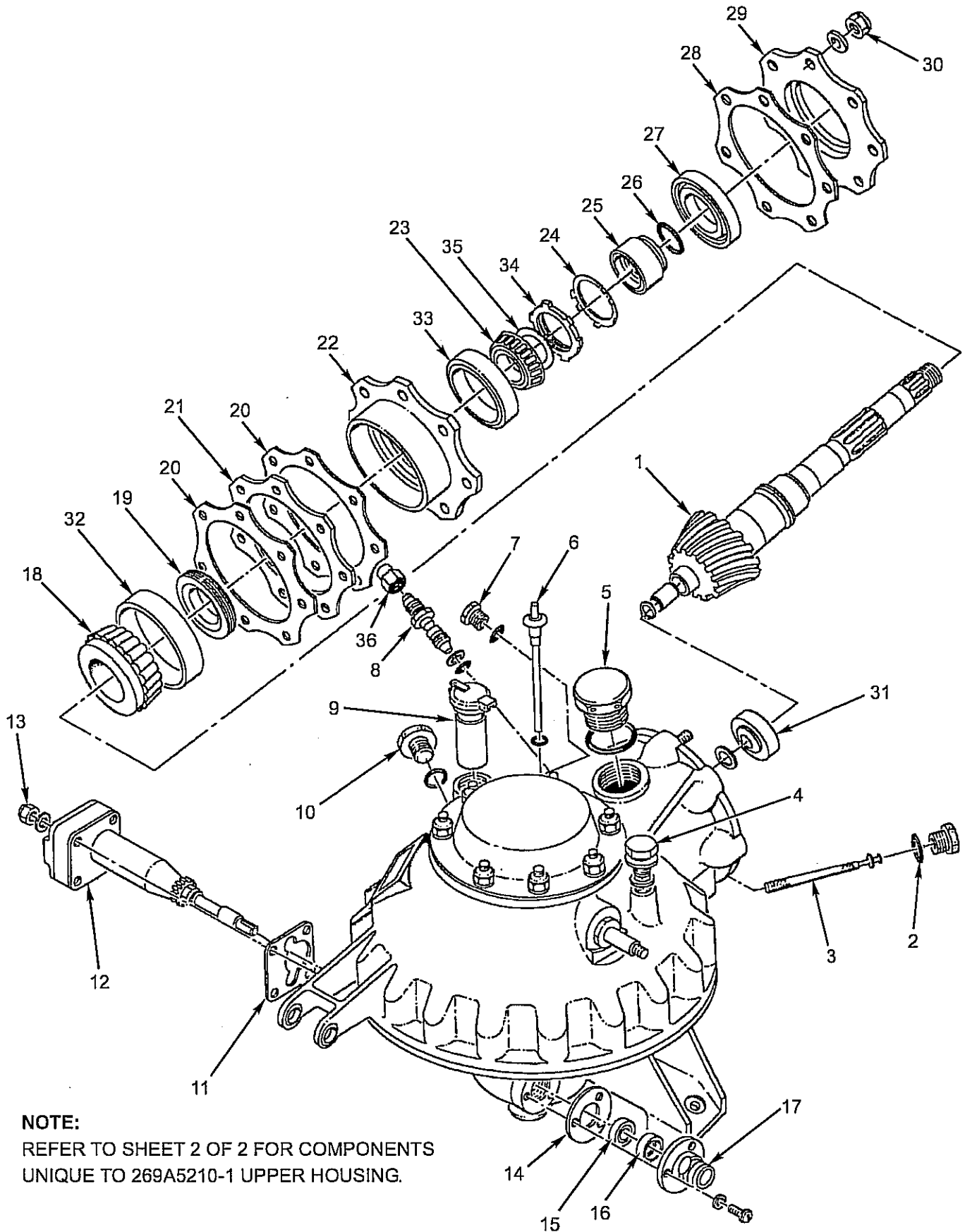


Figure 3-19. Gear Drive Assembly - Main Rotor

FIGURE & INDEX NUMBER	PART NUMBER	DESCRIPTION	QTY PER ASSY	A/C SERIAL NUMBER AFFECTED
3-19	269A5175	GEAR DRIVE ASSEMBLY -MAIN ROTOR (CONT)		
-25	NAS558-404-3	•• KEY*	1	
-26	269A5127	•• GEAR	1	
-27	269A5145	•• SPACER	1	
-28	269A5118	•• RETAINER	1	
-29	AN500AC8-6	•• SCREW*	4	
	NAS 620 C8	•• WASHER*	4	
-30	269A5051-2	•• BEARING*	1	
-31	A722	•• MAGNETIC PLUG	1	
	MS28775-112	••• PACKING (Small O-ring)	1	
	MS28778-10	•• PACKING*	1	
-32	NAS1291-3	•• NUT*	4	
	AN960KD10L	•• WASHER*	4	
-33	269A5101	•• SHIM* (RB 269A5101-3)	1	1166 - 1808
	269A5101-3	•• SHIM	1	1809 & Subs
-34	269A5104-5	•• RING GEAR (RB 269A5104-7)	1	1166 - 1639
	269A5104-7	•• RING GEAR (Also installed in A/C S/N 1634)	1	1640 & Subs.
-35	269A5194	•• CARRIER ASSY	1	
-36	D2228	••• PLUG	4	
-37	HL20-10-7	••• PIN	12	
	MS20002C5	••• WASHER	12	
	HL96-10	••• COLLAR (RB MS21042-5 NUT)	12	
	MS21042-5	••• NUT	12	
-38	269A5160	••• ANTI-FRET LINER	1	
-39	NAS1306-5H	•• BOLT *	14	
	MS9320-12	•• WASHER *	14	
-40	269A5103-()	•• PINION ASSY (Fig. 3-20)	REF	
-41	269A5170	• GASKET*	1	
*Included in Overhaul Kit No. 269A5190-13				



NOTE:
REFER TO SHEET 2 OF 2 FOR COMPONENTS
UNIQUE TO 269A5210-1 UPPER HOUSING.

Figure 3-20. Gear Drive Assembly - Main Rotor (Sheet 1 of 2)

FIGURE & INDEX NUMBER	PART NUMBER	DESCRIPTION	QTY PER ASSY	A/C SERIAL NUMBER AFFECTED
3-20	269A5175	GEAR DRIVE ASSEMBLY - MAIN ROTOR		
-1	269A5103-31	• PINION ASSY	1	1166 - 1422
	269A5103-41	• PINION ASSY	1	1423 - 1628
	269A5103-51	• PINION ASSY	1	1629 & Subs.
	269A5163	•• PLUG	1	
	MS16625-4075	•• SNAP RING	1	
-2	AN814-6DL	• PLUG	1	
	MS28778-6	• PACKING*	1	
-3	269A5192	• STRAINER	1	
-4	A-8189	• BOLT & AIR VENT ASSY*	1	
	AN960D616L	• WASHER	1	
-5	AN814-20DL	• PLUG	1	
	MS28778-20	• PACKING*	1	
-6	269A5172	• DIP STICK	1	
	MS28775-010	• PACKING*	1	
-7	AN814-2DL	• PLUG	1	
	MS28778-2	• PACKING*	1	
-8	269A5181	• NOZZLE	1	
	269A5185	• SHIM*	1	
	MS28775-013	• PACKING	1	
	AN932D2	• PLUG	1	
-9	269A5151	• FILLER ASSY	1	
	269A5156	• STRAINER	1	
-10	AN814-12DL	• PLUG	1	
	MS28778-12	• PACKING*	1	
-11	269A5119	• GASKET*	2	
-12	269A5132	• PUMP ASSY (Fig. 3-21)	1	
-13	NAS1291-3	• NUT*	4	
	AN960KD10L	• WASHER*	4	
-14	269A5140	• GASKET*	1	
-15	269A5051-3	• BEARING*	1	
-16	CR3687	• SEAL*	1	
-17	269A5184	• ADAPTER	1	
	AN502-10-7	• SCREW	3	
	NAS6020-10L	• WASHER	3	
-18	269A5051-19	• CONE*	1	
-19	269A5124	• SPACER*	1	
-20	269A5187	• GASKET*	2	
-21	269A5147	• SHIM*	AR	
-22	269A5108	• RETAINER	1	
-23	269A5051-8	• CONE*	1	
-24	NAS1443-9	• LOCK WASHER* (ALT SL60W9)	1	
-25	269A5178-9	• COLLAR*	1	
-26	MS28775-221	• PACKING*	1	
-27	18444	• SEAL (RB 269A5198-1)	1	
	269A5198-1	• SEAL*	1	
-28	269A5121	• GASKET*	1	

*Included in Overhaul Kit No. 269A5190-13

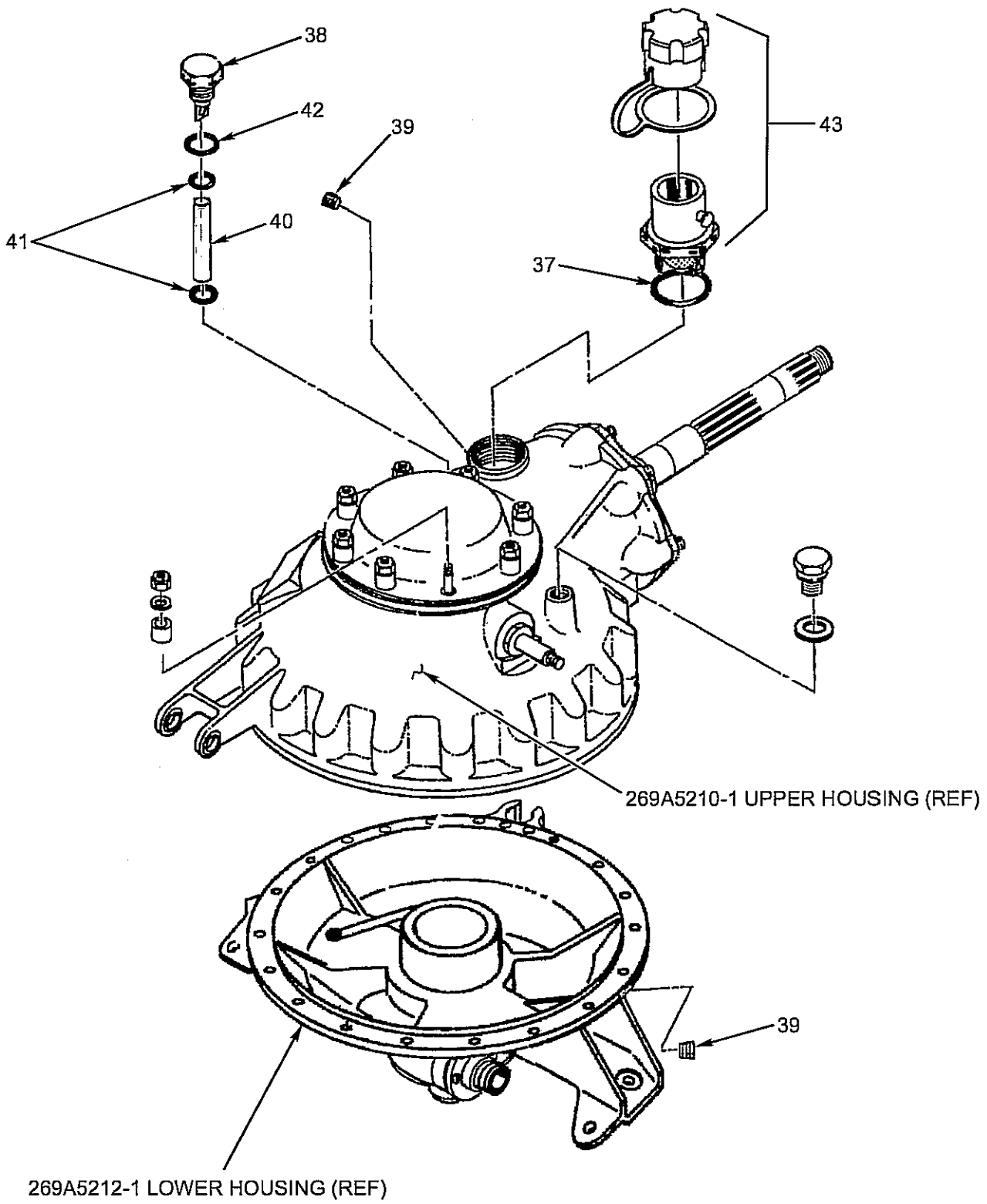


Figure 3-20. Gear Drive Assembly - Main Rotor (Sheet 2 of 2)

FIGURE & INDEX NUMBER	PART NUMBER	DESCRIPTION	QTY PER ASSY	A/C SERIAL NUMBER AFFECTED
3-20	269A5175	GEAR DRIVE ASSEMBLY - MAIN ROTOR (CONT)		
-29	269A5120	• RETAINER	1	
-30	MS21042L5	• NUT	7	
	AN960KD516	• WASHER	7	
-31	269A5051-20	• BEARING*	1	
	RSN118	• SNAP RING*	1	
-32	269A5051-18	• CUP*	1	
-33	269A5051-7	• CUP*	1	
-34	SL61N9F	• LOCKNUT*	1	
-35	269A5150	• WASHER	1	
-36	AN929L8J	• CAP ASSY	1	
-37	AN6290-20	• GASKET	1	
-38	269A5214-1	• PLUG ASSY	1	
-39	AN932-D2	• PLUG	2	
-40	269A5209-1	• SIGHT GAUGE	1	
-41	MS28775-112	• PACKING	2	
-42	MS28778-8	• PACKING	1	
-43	269A5205-1	• FILLER ASSY	1	
		*Included in Overhaul Kit No. 269A5190-13		

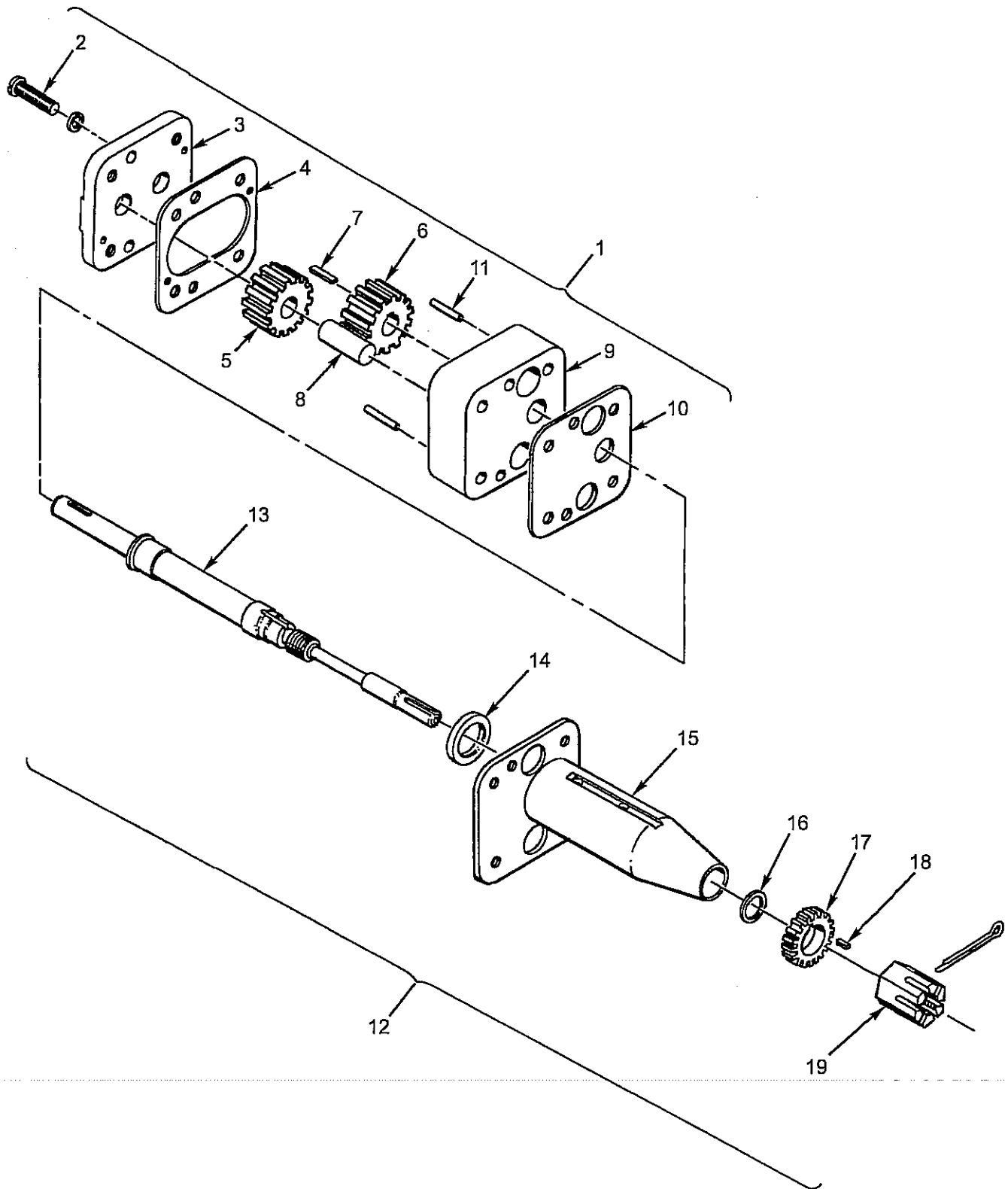


Figure 3-21. Oil Pump Assembly

FIGURE & INDEX NUMBER	PART NUMBER	DESCRIPTION	QTY PER ASSY	A/C SERIAL NUMBER AFFECTED
3-21	269A5132	OIL PUMP ASSEMBLY		
-1	269A5132	• OIL PUMP ASSY	1	
-2	MS3566-68	•• SCREW	2	
	AN960KD10L	•• WASHER	2	
-3	269A5129	•• COVER	1	
-4	269A5137	•• GASKET*	1	
-5	269A5135	•• GEAR-IDLER	1	
-6	269A5134	•• GEAR-SPUR	1	
-7	NAS558-404-6	•• KEY	1	
-8	269A5136	•• SHAFT	1	
-9	269A5128	•• HOUSING	1	
-10	269A5138	•• GASKET	1	
-11	269A5132-3	•• DOWEL PIN	2	
-12	269A5133	•• SHAFT ASSY	1	
-13	269A5143	••• SHAFT	1	
-14	269A5162	••• WASHER	1	
-15	269A5142	••• SLEEVE	1	
-16	269A5144	••• WASHER	2	
-17	269A5131	••• GEAR-PINION.	1	
-18	NAS558-404-3	••• KEY	1	
-19	269A5146	••• NUT	1	
	MS24665-153	••• COTTER PIN	1	
		*Included in Overhaul Kit No. 269A5190-13		

This page is left blank intentionally.