

FIGURE & INDEX NUMBER	PART NUMBER	DESCRIPTION	QTY PER ASSY	A/C SERIAL NUMBER AFFECTED
2-11	269A3240	LANDING GEAR		
-1	269A3117-7	• BEAM ASSY-AFT.	1	
-2	SHS13SP312-250-1193	•• BUSHING	2	
-3	269A3118-9	• BEAM ASSY-FWD	1	
	SHS13SP312-250-1193	•• BUSHING	2	
-4	269A3238-15T	• STABILIZER ASSY-LH.(Black)	1	
	269A3238-16U	• STABILIZER ASSY-RH (Black)	1	
	269A3238-815	• STABILIZER ASSY-LH (White)	1	
	269A3238-816	• STABILIZER ASSY-RH (White)	1	
	269A3238-17L	•• CLIP-FORWARD LH	1	
	269A3238-19L	•• CLIP-AFT LH.	1	
	269A3238-20L	•• CLIP-FORWARD RH	1	
	269A3238-200	•• CLIP-AFT RH	1	
	269A3238-13	•• NON-SLIP TAPE	2	
-5	269A3119	• STRUT ASSY	2	
	269A5050-33	•• BEARING	2	
	AN316-5R	•• NUT.	2	
	AN470AD3	•• RIVET	2	
-6	269A3115	• FORK	4	
	AN960-516	• WASHER	4	
	AN310-5	• NUT	4	
	MS24665-153	• COTTER PIN	4	
-7	NAS464P4-10	• BOLT (ALT NAS1104-10D).	4	
	AN960KD416L	• WASHER	AR	
	AN320-4	• NUT	4	
	MS24665-153	• COTTER PIN	4	
-8	NAS464P5-14	• BOLT (ALT NAS1105-14D).	4	
	AN960KD516	• WASHER	AR	
	AN960KD516L	• WASHER	AR	
	AN310-5	• NUT	4	
	MS24665-153	• COTTER PIN	4	
-9	269A3248	• CLIP	2	1166 - 1760
	MS20470AD4	• RIVET	8	
-10	NAS464P5-19	• BOLT (ALT NAS 1105-19D)	4	
	AN960KD516	• WASHER	AR	
	AN960KD516L	• WASHER	AR	
	AN310-5	• NUT	4	
	MS24665-153	• COTTER PIN	4	
-11	AN4-15A	• BOLT (ALT NAS1304-19)	4	
	AN960KD416	• WASHER	AR	
	MS20364-428C	• NUT	4	
-12	269A3238-11	• FILLER	4	
-13	269A4722-5	• WHEEL AND TIRE ASSY	2	
-14	269A3224	• SHAFT	2	
	269A4566	• PIN	2	

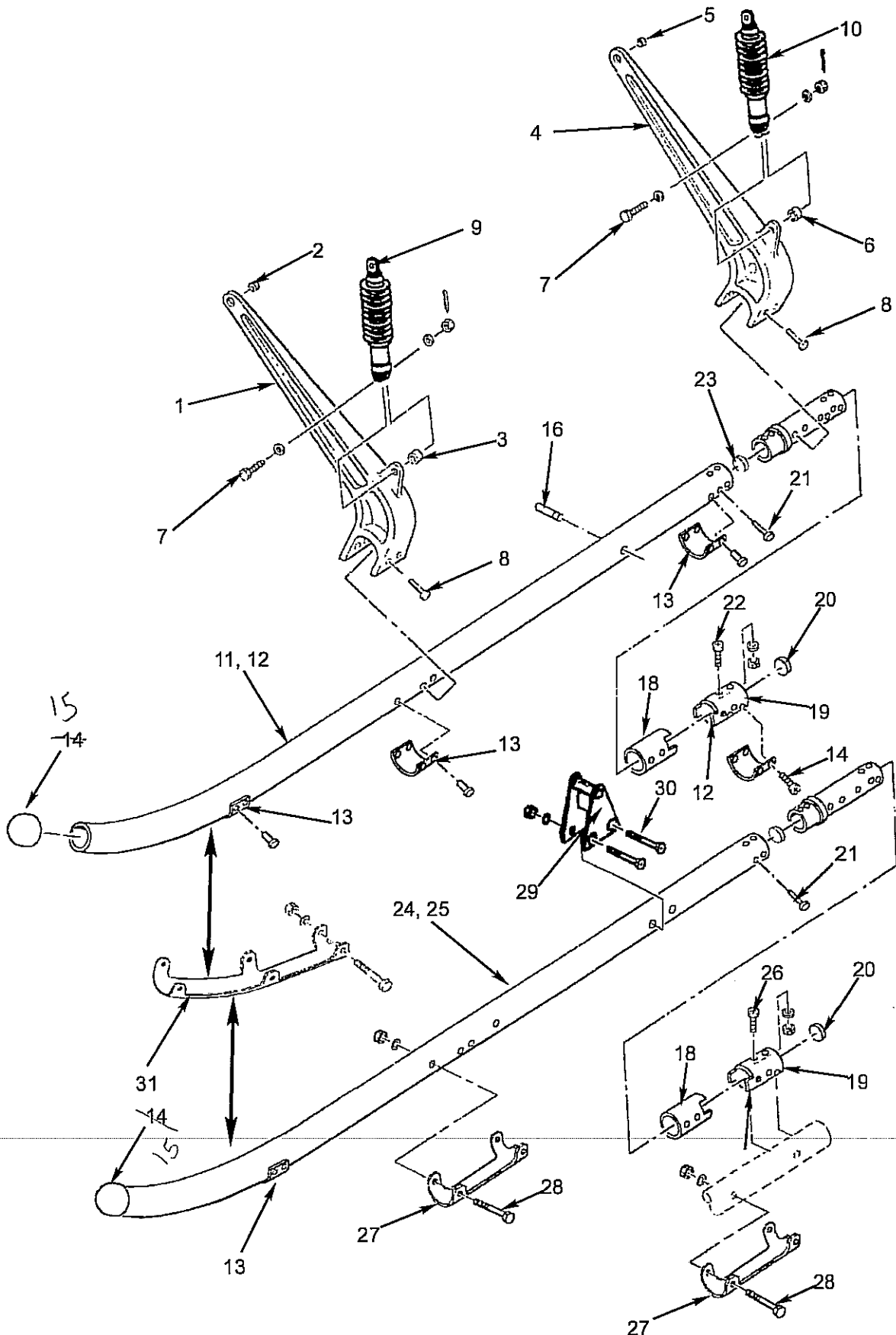


Figure 2-12. Landing Gear Skid and Strut Assembly

FIGURE & INDEX NUMBER	PART NUMBER	DESCRIPTION	QTY PER ASSY	A/C SERIAL NUMBER AFFECTED
2-12	269A3240-7 269A3240-13 269A3240-15	LANDING GEAR SKID AND STRUT ASSEMBLY LANDING GEAR SKID AND STRUT ASSEMBLY LANDING GEAR SKID AND STRUT ASSEMBLY		1166 - 1700 1701 - 1760 1761 & Subs.
-1	269A3120-7L 269A3120-8L	• STRUT-FORWARD LH • STRUT-FORWARD RH	1 1	
-2	269A5050-20	•• BEARING-INBOARD END	1	
-3	269A5050-24	•• BEARING-OUTBOARD END	1	
-4	269A3120-5L 269A3120-6L	• STRUT-AFT LH • STRUT-AFT RH	1 1	
-5	269A5050-20	•• BEARING-INBOARD END	1	
-6	269A5050-24	•• BEARING-OUTBOARD END	1	
-7	NAS1105-16D AN960KD516 AN960KD516L AN320-5 MS24665-153	• BOLT • WASHER • WASHER • NUT • COTTER PIN	2 4 4 2 2	
-8	OSR-10C	• HUCK RIVET (For Oversize Holes use NAS1669-6L5 Bolt) .	16	
-9	269A3150-5 269A3150-15 269A3150-19	• DAMPER ASSY FWD (RB269A3150-15) • DAMPER ASSY FWD (RB 269A3150-19) • DAMPER ASSY (See Fig 2-14 for BKDN)	2 2 2	1166 - 1625 1626 - 1680 1166 - 1625
-10	269A3150-9 269A3150-17 269A3150-21	• DAMPER ASSY AFT (RB269A3150-17) • DAMPER ASSY AFT (RB269A3150-21) • DAMPER ASSY AFT (See Fig 2-14 for BKDN)	2 2 2	1166 - 1625 1626 - 1680 1681 & Subs.
-11	269A3235-5 269A3235-7 269A3235-6 269A3235-8	• SKID ASSY LH (RB 269A3235-7) • SKID ASSY LH • SKID ASSY RH (RB 269A3235-8) • SKID ASSY RH	1 1 1 1	1166 - 1239 1240 - 1690 1166 - 1239 1240 - 1690
-12	269A3237-3 269A3237-5	•• TUBE (RB 269A3237-5) •• TUBE	1 1	1166 - 1239 1240 - 1690
-13	269A3234 269A3251-3 CKL-P5E	•• SKID SHOE-Short (RB 269A3251-3) •• SKID SHOE-Short •• RIVET-BLIND (ALT NAS1919B05-03)	4 4 12	
-14	NAS623-3-6 MS20364-1032A	•• SCREW (Aft Skid Shoe Only) •• NUT (Aft Skid Shoe Only)	4 4	
-15	269A3226	•• CAP.	1	
-16	269A3227 NAS670-93	•• BUSHING •• RING	1 1	1166 -1760 1166 -1760
-17	269A3229-5L 269A3229-6L	•• EXTENSION LH. •• EXTENSION RH	1 1	
-18	269A3230-1L 269A3230-2L	•• SLEEVE-LH •• SLEEVE-RH	1 1	
-19	269A3231	•• SLEEVE	1	
-20	269A3232-3	•• CAP.	1	
-21	NAS1669-3L5	•• JO-BOLT	8	
-22	NAS623-3-5 AN960KD10L MS20364-1032A	•• SCREW •• WASHER •• NUT (ALT MS21083N3)	6 6 6	
-23	269A3213	•• PLUG	1	

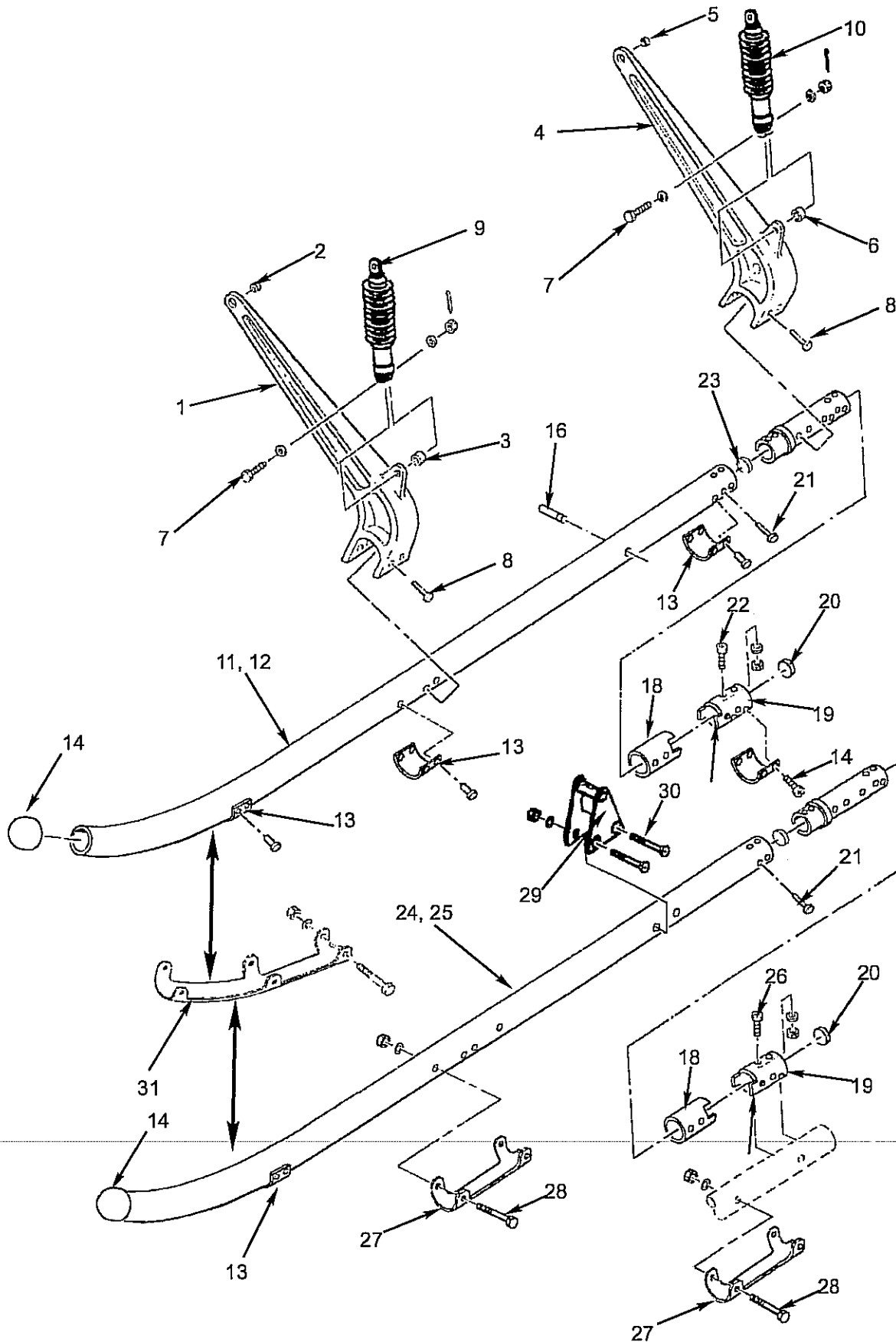


Figure 2-12. Landing Gear Skid and Strut Assembly

FIGURE & INDEX NUMBER	PART NUMBER	DESCRIPTION	QTY PER ASSY	A/C SERIAL NUMBER AFFECTED
2-12	269A3240-7 269A3240-13 269A3240-15	LANDING GEAR SKID AND STRUT ASSEMBLY LANDING GEAR SKID AND STRUT ASSEMBLY LANDING GEAR SKID AND STRUT ASSEMBLY		1166 - 1700 1701 - 1760 1761 & Subs.
-24	269A3245-905 269A3245-906 269A3245-917 269A3245-918 269A3245-923 269A3245-924	• SKID ASSY LH (Use with -906 only, RB 269A3245-917) . . . • SKID ASSY RH (Use with -905 only, RB 269A3245-918) . . . • SKID ASSY LH (Use with -918 only, RB 269A3245-923) . . . • SKID ASSY RH (Use with -917 only, RB269A3245-924) . . . • SKID ASSY LH • SKID ASSY RH	1 1 1 1 1 1	1691 - 1703 1691 - 1703 1704 - 1760 1704 - 1760 1761 & Subs. 1761 & Subs.
-25	269A3237-5 269A3237-9	•• TUBE •• TUBE	1 1	1691 - 1760 1761 & Subs.
-26	NAS623-3-4 AN960KD10LL MS20364-1032A	•• SCREW •• WASHER •• NUT	8 8 8	
-27	269A3250 269A3251-1	•• SHOE (Matched Ship Sets of 4 Only) •• SHOE (Matched Ship Sets of 4 Only)	2 2	1691 - 1703 1704 & Subs.
-28	NAS1304-38 AN960KD416 MS21042-4	•• BOLT •• WASHER •• NUT.	8 8 8	
-29	269A3205-1	•• SKID MOUNT ASSY	1	1761 & Subs.
-30	AN509-416R48 AN960-416 MS21044N4	•• SCREW •• WASHER •• NUT	2 2 2	
-31	269A3251-5 NAS1304-38 AN960KD416 MS21042-4	•• SHOE - (Optional) •• BOLT •• WASHER •• NUT.	1 3 3 3	

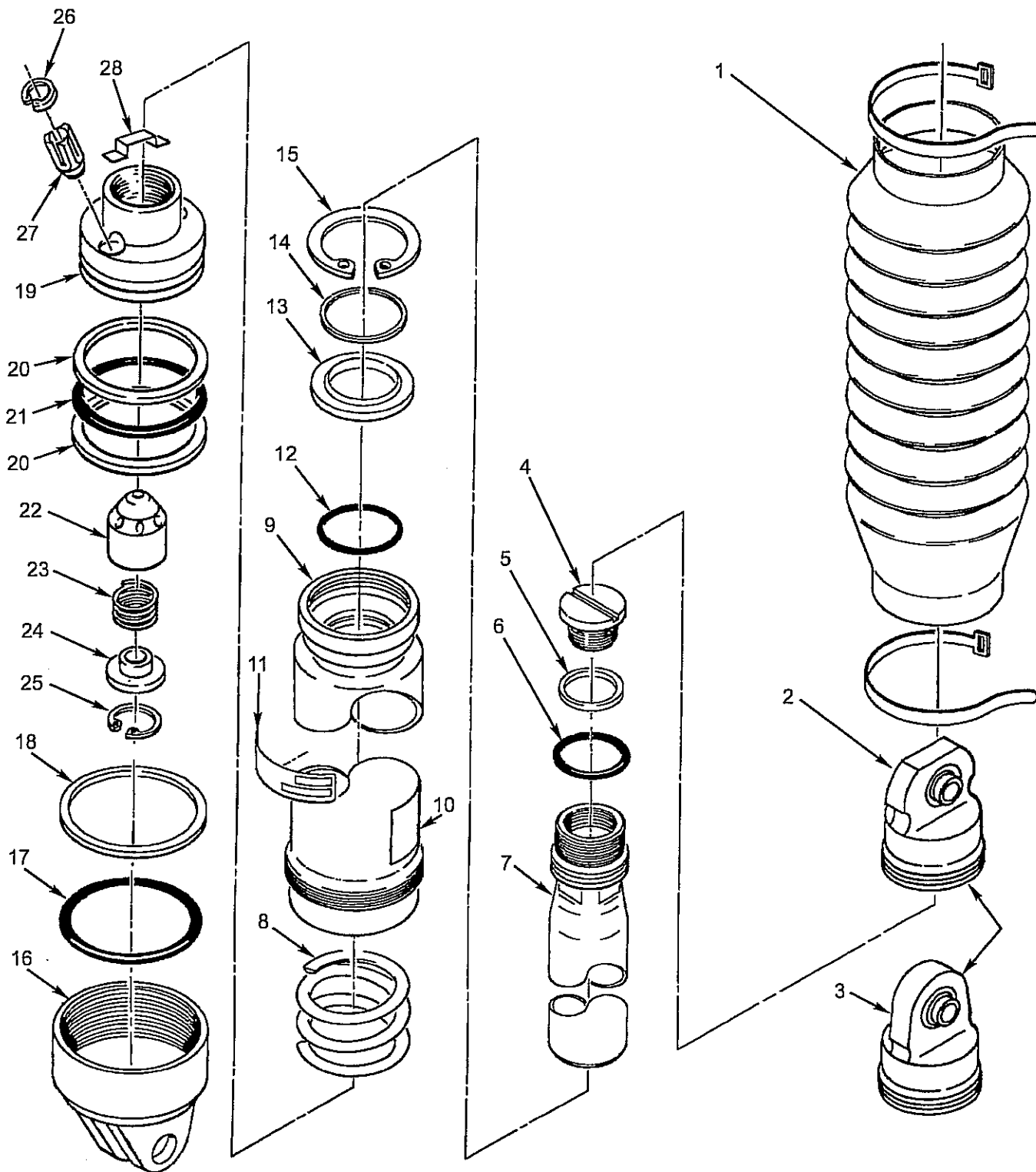


Figure 2-13. Damper Assembly

FIGURE & INDEX NUMBER	PART NUMBER	DESCRIPTION	QTY PER ASSY	A/C SERIAL NUMBER AFFECTED
2-13	269A3150	DAMPER ASSEMBLY		
-1	269A3108	• BOOT	1	
-2	269A3170	• FWD CAP ASSY	1	
	269A5050-21	•• BEARING	1	
-3	269A3152-901	• AFT CAP ASSY	1	
	269A5050-21	•• BEARING	1	
-4	269A3155	• PLUG	1	
-5	MS28778-8	• GASKET*	1	
-6	MS28775-118	• "O" RING*	1	
-7	269A3162-3	• PISTON (RB 269A3162-5)	1	
	269A3162-5	• PISTON	1	
-8	269A3168	• SPRING	1	
-9	269A3163-3	• BARREL ASSY (Use with 269A3150-5, -7, & -9) (RB 269A3163-13)	1	
	269A3163-11	• BARREL ASSY (Use with 269A3150-15 & -17) (RB 269A3163-13)	1	
	269A3163-13	• BARREL ASSY	1	
-10	269A3169-1	• PLATE*	1	
-11	269A4583-3	• PLATE	1	
-12	269A3172	• SEAL* (Use with 269A3163-3) (ALT 461512501062-170B)	1	
	4615-1250-1062-250B	• SEAL* (Use with 269A3163-11) (ALT S34851-215 BAE99 with S13050-3019 Back-Up Ring)	1	
	S34851-215 BAE99	• SEAL* (Use with 269A3163-13)	1	
-13	S-11065-10-5	• SCRAPER RING*	1	
-14	269A3166	• WASHER*	1	
-15	MS16625-1145	• RING-RETAINER	1	
-16	269A3154	• CAP	1	
-17	MS28775-133	• "O" RING*	1	
-18	MS28774-133	• BACKUP RING*	1	
-19	269A3156-3	• HOUSING ASSY-POPPET	1	
-20	MS28774-127	•• BACKUP RING*	2	
-21	MS28775-127	•• "O" RING*	1	
-22	269A3158	•• POPPET	1	
-23	269A3161	•• SPRING	1	
-24	269A3160	•• RETAINER	1	
-25	MS16625-1056	•• RING-RETAINER	1	
-26	MS16625-1031	•• RING-RETAINER	2	
-27	269A3159	•• POPPET	2	
-28	269A3167	• BAFFLE* (Use with 269A3162-3 Piston)	1	
	269A3167-3	• BAFFLE* (Use with 269A3162-5 Piston)	1	
<p>* Included in landing gear damper overhaul kit. Order 269A3150-800 overhaul kit for 269A3150-5, -7, & -9. Order 269A3150-801 overhaul kit for 269A3150-15, -17, -19 & -21.</p>				

This page is left blank intentionally.