

SCHWEIZER MODEL 269C HELICOPTER
ILLUSTRATED PARTS CATALOG

SECTION 3

TRANSMISSION DRIVE
MAIN & TAIL ROTOR COMPONENTS

This page is intentionally left blank.

Table of Contents

Figure	Title	Page
3-1.	Transmission & Drive Assembly	3-2
3-2.	Transmission and Drive Installation.	3-4
3-3.	Tail Rotor Assembly.	3-6
3-4.	Gear Box Assembly - Tail Rotor	3-10
3-5.	Drive Assembly - Main Rotor Belt Transmission	3-14
3-6.	Drive Assembly & Main Rotor Belt Transmission.	3-16
3-7.	Drive Assembly & Main Rotor Belt Transmission.	3-18
3-8.	Frame Assembly - Belt Drive Transmission	3-20
3-9.	Clutch Assembly - Belt Drive Idler Pulley	3-22
3-10.	Spring Assembly - Belt Drive Clutch Control	3-24
3-11.	Spring Assembly - Belt Drive Clutch Control (269A5800)	3-26
3-12.	Upper Pulley Assembly - Main Transmission	3-28
3-13.	Clutch Control Installation.	3-30
3-14.	Main Rotor Installation	3-32
3-15.	Main Rotor Installation	3-34
3-16.	Main Rotor Installation	3-36
3-17.	Main Rotor Installation	3-38
3-18.	Pitch Bearing Assembly	3-42
3-19.	Gear Drive Assembly - Main Rotor	3-44
3-20.	Gear Drive Assembly - Main Rotor	3-48
3-21.	Oil Pump Assembly	3-52

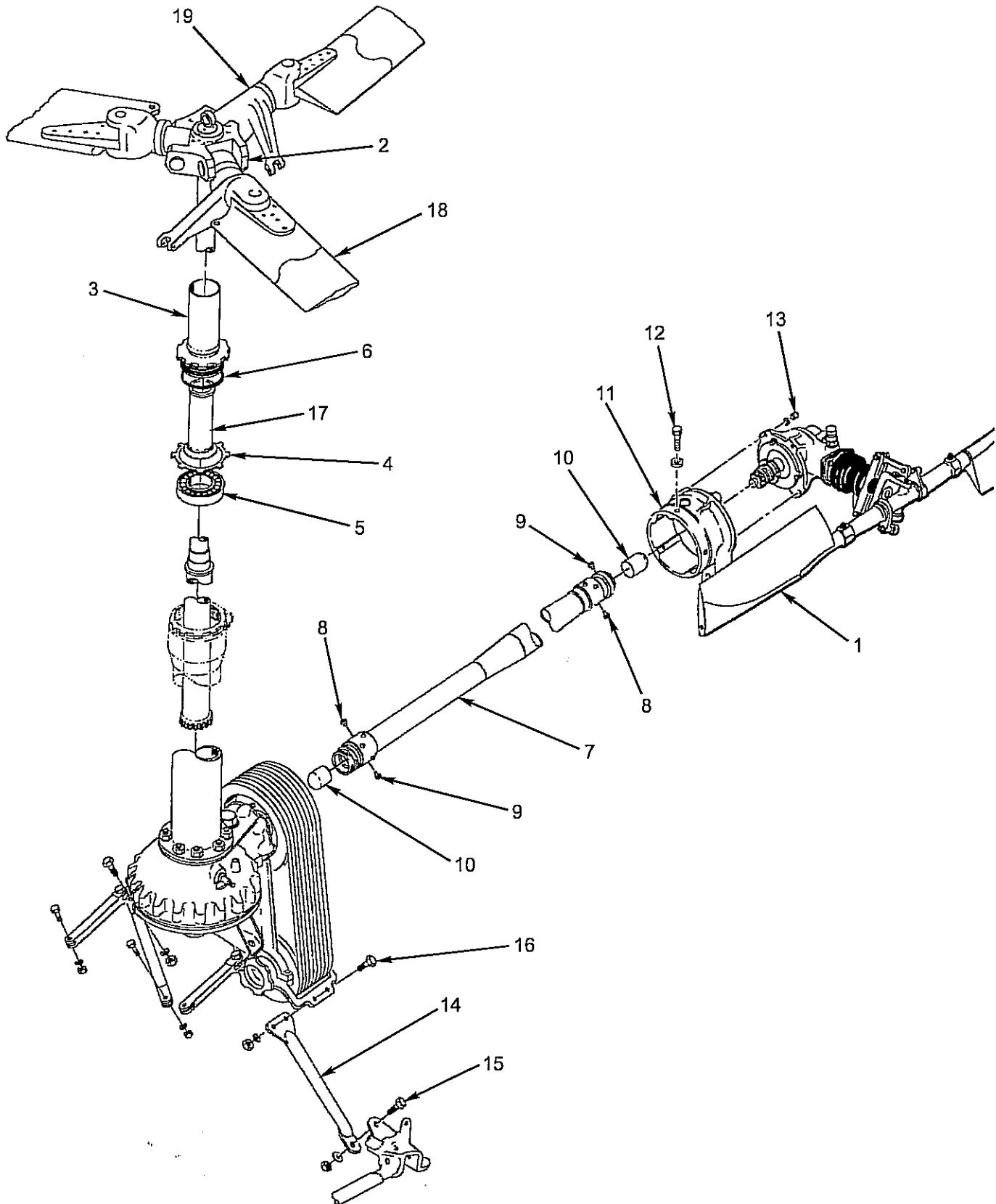


Figure 3-1. Transmission & Drive Assembly

FIGURE & INDEX NUMBER	PART NUMBER	DESCRIPTION	QTY PER ASSY	A/C SERIAL NUMBER AFFECTED
3-1	269A6025	TRANSMISSION & DRIVE ASSEMBLY		
-1	269A6034-19	• TAIL ROTOR ASSY (See Fig. 3-3)	REF	
-2	269A5305-()	• HUB AND SHAFT ASSY (See Fig. 3-17)	REF	
-3	269A1315	• NUT	1	
-4	269A1308-3	• WASHER	1	
-5	269A5050-63	• BEARING	1	
-6	269A1307-3	• SEAL	1	
-7	269A6040-7	• TAIL ROTOR SHAFT ASSY (RB 269A6040-9) (See Note)	1	1166 - 1819
	269A6040-9	• TAIL ROTOR SHAFT ASSY	1	1820 & Subs.
	269A5718-3	• WEAR SLEEVE	1	
-8	1884	• GREASE FITTING, Relief (RB 1885)	2	1166 - 1709
-9	1885	• GREASE FITTING, Lubricate & Relief	4	
-10	269A5712	• DOME BUMPER (Used in 269A6040-7 Assy)	2	1166-1819
-11	269A6045-11	• ADAPTER ASSY	1	
-12	AN4H5A	• BOLT (ALT NAS1304-3H)	5	
	AN960KD416	• WASHER	5	
-13	32FL-428	• NUT (ALT MS20365-428C)	4	
	AN960-416	• WASHER	4	
-14	269A5423-9	• STRUT ASSY	1	
-15	AN4-5A	• BOLT (ALT NAS1304-3)	1	
	AN960-416	• WASHER	1	
	MS20042-4	• NUT (ALT MS21042-4)	1	
-16	NAS1304-4	• BOLT	2	
	AN960-416	• WASHER	2	
	MS21042-4	• NUT	2	
-17	269A1318-3	• TUBE	1	
-18	269A1185-1	• M/R BLADE (See Fig. 3-14 for BKDN)	REF	
-19	269A1221-()	• PITCH BEARING ASSY (See Fig. 3-18 for BKDN)	REF	
<p><u>NOTE:</u> 269A6040-7 drive shaft can be modified to 269A6040-9 assembly by installing SA-269DK-024 Kit.</p>				

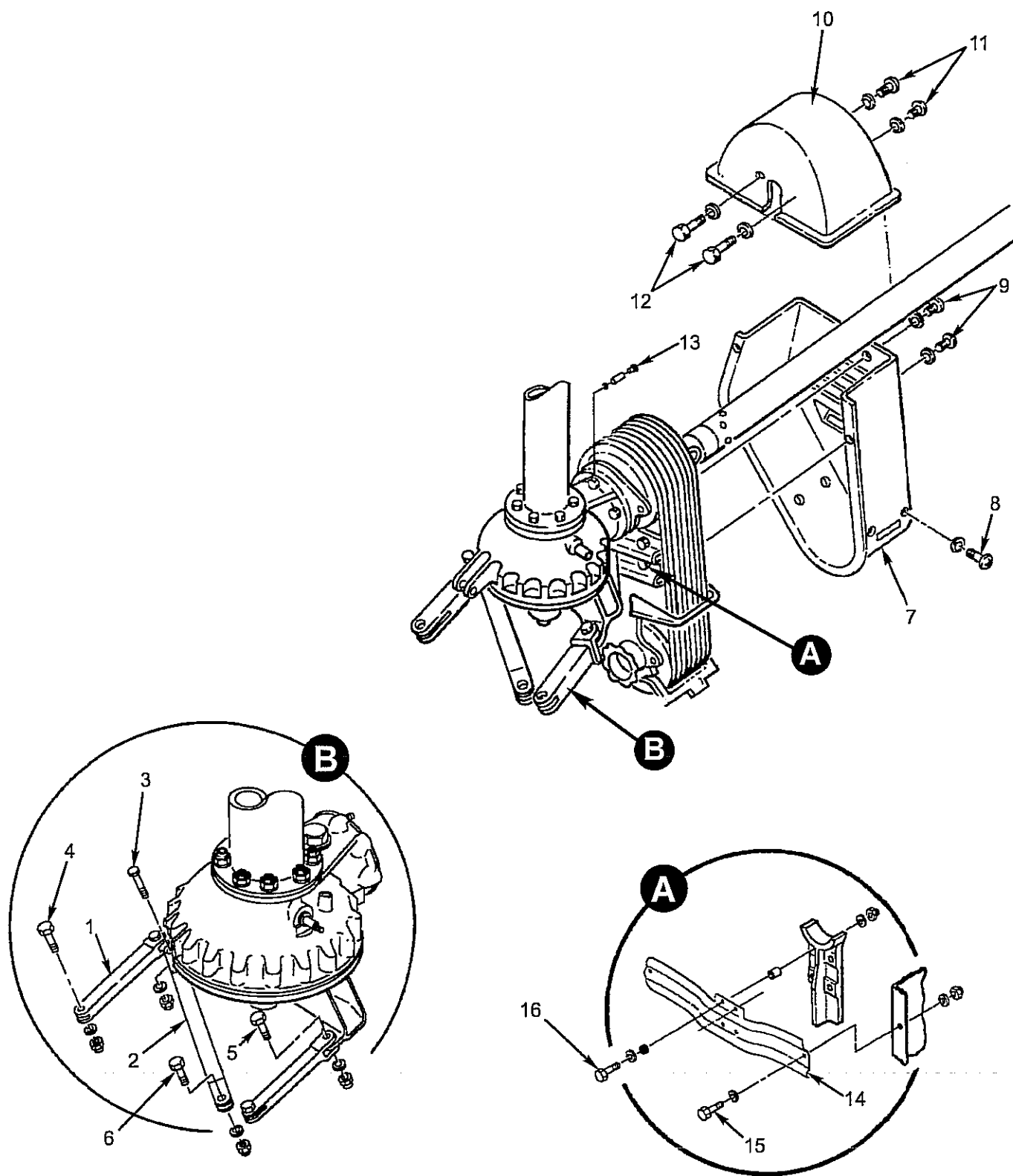


Figure 3-2. Transmission and Drive Installation

FIGURE & INDEX NUMBER	PART NUMBER	DESCRIPTION	QTY PER ASSY	A/C SERIAL NUMBER AFFECTED
3-2	269A6025	TRANSMISSION AND DRIVE INSTALLATION		
-1	269A5015	• STRUT ASSY (RB 269A5019-1)	2	1166 - 1727
	269A5019-1	• STRUT ASSY	2	1728 & Subs.
-2	269A5016	• STRUT ASSY (RB 269A5018-1)	1	1166 - 1724
	269A5018-1	• STRUT ASSY	1	1725 & Subs.
-3	NAS1304-11	• BOLT	1	
	AN960KD416	• WASHER	1	
	MS21042-4	• NUT	1	
-4	NAS1305-7	• BOLT	2	
	AN960KD516	• WASHER	2	
	MS21042-5	• NUT	2	
-5	NAS1305-11	• BOLT	2	
	AN960KD516	• WASHER	2	
	MS21042-5	• NUT	2	
-6	NAS1304-6	• BOLT	1	
	AN960KD416	• WASHER	1	
	MS21042-4	• NUT	1	
-7	269A5471-13	• COVER, V-BELT DRIVE	1	
-8	AN3-6A	• BOLT (ALT NAS1303-6)	4	
	AN960KD10	• WASHER	4	
-9	AN3-6A	• BOLT (ALT NAS1303-6)	2	
	HS306-324H	• WASHER (ALT AN960KD10L)	2	
-10	269A5470-21	• HAT ASSY	1	
-11	NAS1403-2	• SCREW	2	
	AN960KD10L	• WASHER	2	
-12	AN3-6A	• BOLT (ALT NAS1303-6)	2	
	AN960KD10	• WASHER	2	
-13	269A5011	• JET ASSY	1	
	AN6290-3	• GASKET	1	
-14	269A5547-5	• PANEL	1	
-15	AN3-6A	• BOLT (ALT NAS1303-6)	2	
	AN960KD10	• WASHER	4	
	MS21042-3	• NUT	2	
-16	AN3-15A	• BOLT	4	
	AN960KD10L	• WASHER	8	
	269A5548	• SPACER	4	
	MS35489-33	• GROMMET	4	
	MS21042-3	• NUT	4	

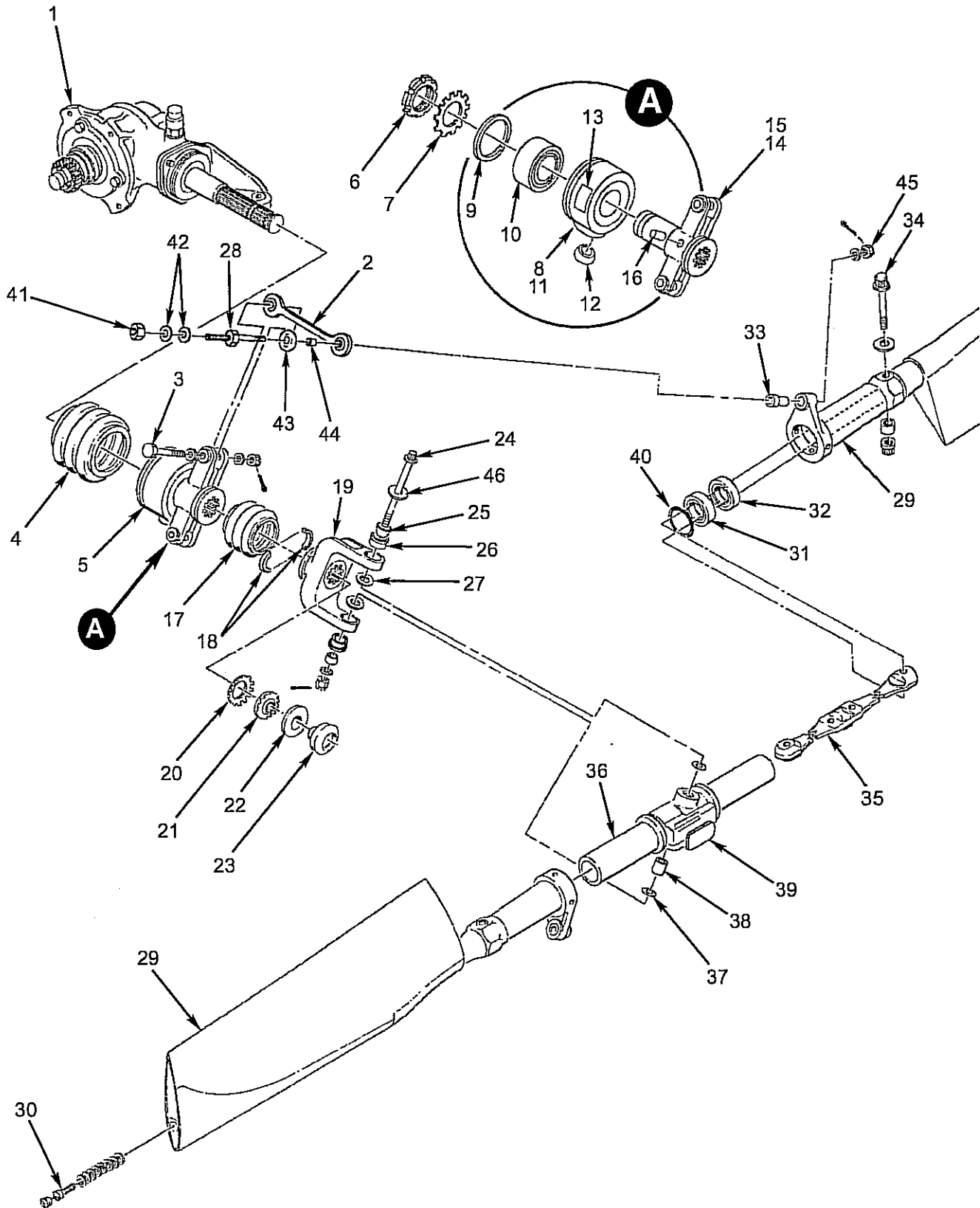


Figure 3-3. Tail Rotor Assembly

FIGURE & INDEX NUMBER	PART NUMBER	DESCRIPTION	QTY PER ASSY	A/C SERIAL NUMBER AFFECTED
3-3	269A6034	TAIL ROTOR ASSEMBLY		
-1	269A6027-78	• GEAR BOX ASSY (See Fig. 3-4)	REF	
-2	269A6091-5	• LINK ASSY	2	
	269A5050-91	•• BEARING (ALT 269A5050-75)	4	
-3	NAS464P4-15	• BOLT (ALT NAS1304-15D)	2	
	AN960KD416L	• WASHER	4	
	AN320-4	• NUT	2	
	MS24665-151	• COTTER PIN	2	
-4	269A6107	• BOOT	1	
-5	269A6050-5	• PITCH CONTROL ASSY	1	
-6	269A6258	•• NUT	1	
-7	269A6051	•• WASHER	1	
-8	269A6050-7	•• HOUSING ASSY	1	
-9	269A6082	••• SWAGE RING	1	
-10	269A5050-18	••• BEARING	1	
-11	269A6081	••• HOUSING	1	
-12	269A5050-68	••• BEARING	1	
-13	269A4583-3	••• PLATE	1	
-14	269A6049-3	•• SWASH PLATE ASSY	1	
-15	269A6048	••• SWASH PLATE	1	
-16	NAS516-1A	••• FITTING-LUBRICATION	1	
-17	269A6102-9	• BOOT	1	
-18	269A6106	• SPLIT RING	1	
-19	269A5653	• FORK ASSY	1	
-20	SHS1551S290	• WASHER	1	
-21	SHS1550-325	• NUT	1	
-22	269A6110-3	• SPACER	1	
-23	269A6109	• STOP	1	
-24	269A6092-3	• BOLT	1	
	VCU0001	• NUT	1	
	MS24665-151	• COTTER PIN	1	
	269A6095-5	• WASHER	AR	
	269A6095-7	• WASHER	AR	
-25	269A6261	• BEARING-INNER RACE	2	
-26	269A6260	• BEARING-OUTER RACE	2	
-27	269A5662	• DUST SHIELD	2	
-28	269A5663	• BOLT	2	
-29	269A6035-23	• BLADE ASSY	2	
	8671HS	•• BLADE TAPE (M16400020)	.8 FT.	
-30	NAS1351-3-12P	•• SCREW (ALT NAS1351-3-14P)	2	
	NAS620-10L	•• WASHER (BALANCE)	AR	
	07-792A	•• CORK SIZE "O"	2	
-31	269A6062-5	•• BEARING (RB269A6062-9)	2	
	269A6062-9	•• BEARING	2	
-32	269A6062-3	•• BEARING (RB269A6062-7)	2	
	269A6062-7	•• BEARING	2	
-33	269A6059-3	•• BUSHING	2	

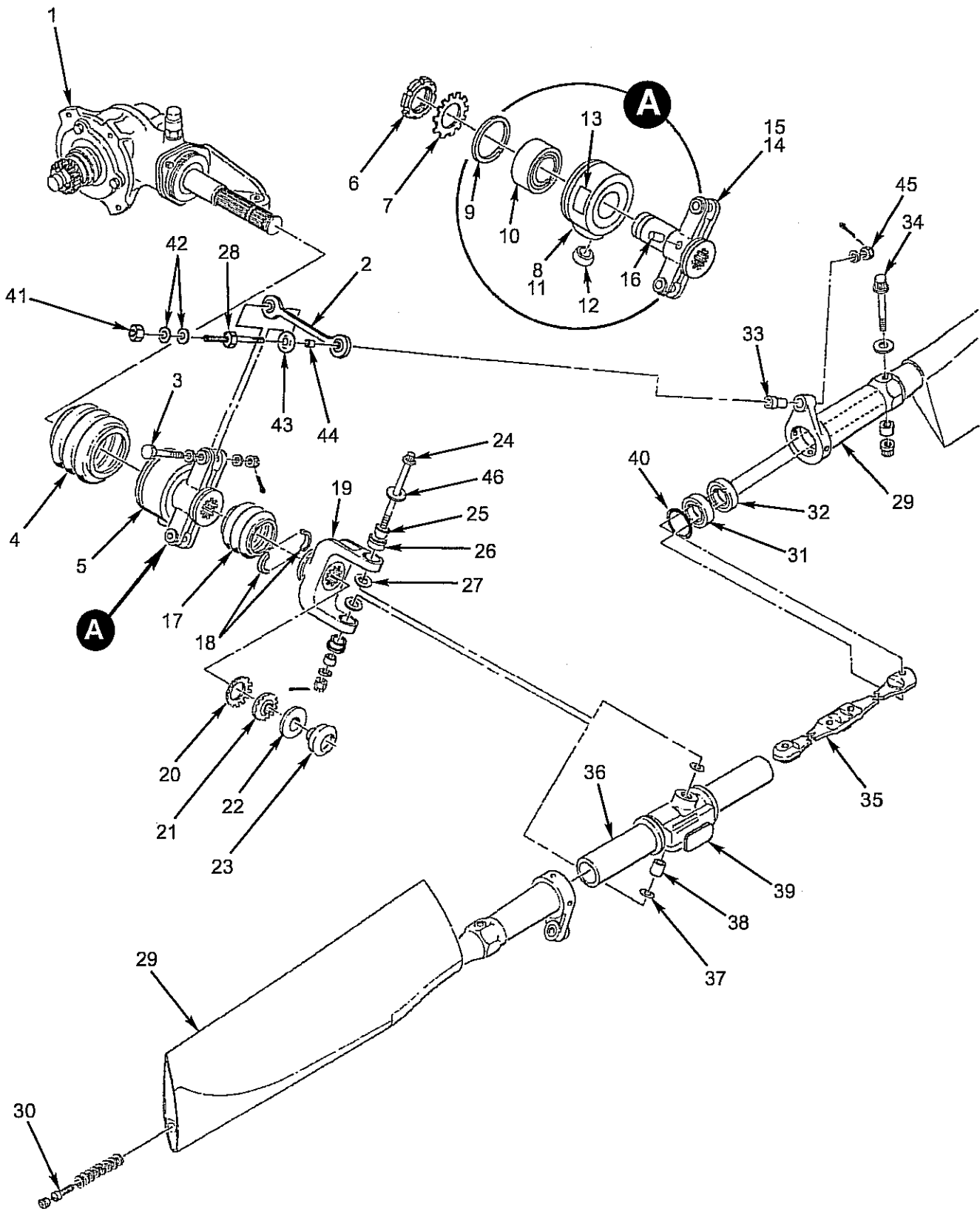


Figure 3-3. Tail Rotor Assembly

FIGURE & INDEX NUMBER	PART NUMBER	DESCRIPTION	QTY PER ASSY	A/C SERIAL NUMBER AFFECTED
3-3	269A6034	TAIL ROTOR ASSEMBLY		
-34	LWB22D-6-22	• BOLT (ALT LWB22-6-22)	2	
	MS20002C6	• WASHER	2	
	269A6064	• BUSHING	2	
	FN22M-624	• NUT	2	
-35	269A6065-507	• STRAP ASSY	1	
-36	269A6101-5	• HUB	1	
-37	269A6073-3 / -91	• SHIM (For assorted shims, order shim kit 269A6073T)	AR	
-38	269A6094	• BUSHING	1	
-39	269A4583-3	• PLATE-IDENTIFICATION	1	
-40	2-122C873-70	• "O" RING	2	
-41	MS21042-4	• NUT	2	
-42	SHS306-227	• WASHER (Balance)	AR	
	SHS306-227L	• WASHER (Balance)	AR	
-43	269A6095-9	• WASHER, CUP	2	
-44	269A1263	• WASHER, SPACER	2	
-45	AN320-4	• NUT	2	
	AN960KD416L	• WASHER	2	
	MS24665-151	• COTTER PIN	2	
-46	269A6095-11	• WASHER	1	

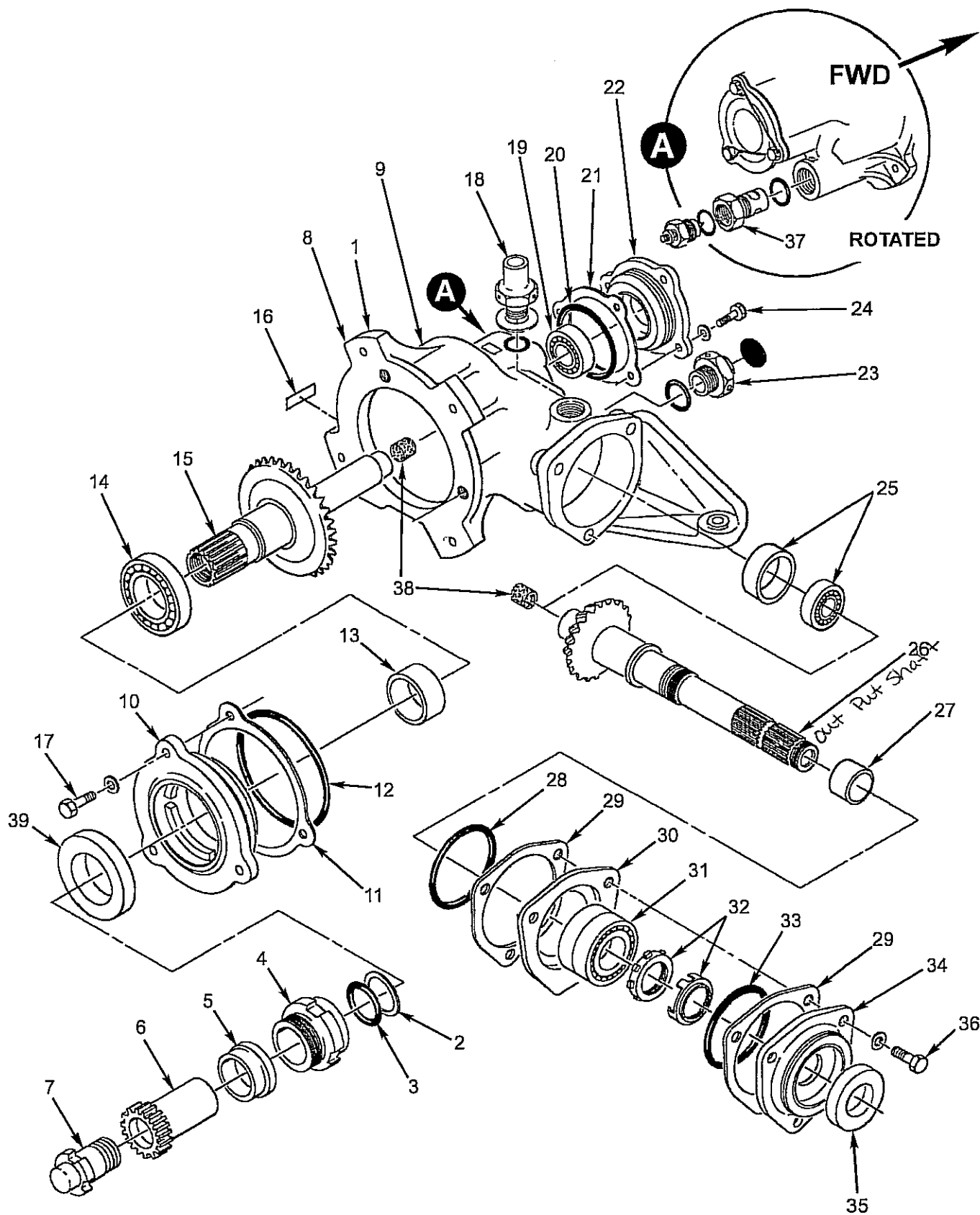


Figure 3-4. Gear Box Assembly - Tail Rotor

FIGURE & INDEX NUMBER	PART NUMBER	DESCRIPTION	QTY PER ASSY	A/C SERIAL NUMBER AFFECTED
3-4	269A6027	GEAR BOX ASSY - TAIL ROTOR		
-1	269A6027	• GEAR BOX ASSY (RB 269A6027-78)	1	1166 - 1463
	269A6027-78	• GEAR BOX ASSY (RB 269A6027-178)	1	1464 - 1693
	269A6027-178	• GEAR BOX ASSY	1	1694 & Subs.
-2	269A6087-1	•• SHIM (Use with 269A6030-3 when required)*	AR	1464 - 1471
-3	269A6032	•• PACKING (RB 269A6032-3).	1	
	269A6032-3	•• PACKING*	1	
-4	269A6031	•• SEAL NUT	1	
-5	269A6028	•• SPACER	1	
-6	269A6030	•• DRIVEN SPLINE	1	1166 - 1463
	269A6030-3	•• DRIVEN SPLINE	1	1464 - 1471
	269A6030-5	•• DRIVEN SPLINE	1	1472 & Subs.
-7	269A6029	•• NUT	1	
-8	269A5600-607	•• TAIL ROTOR TRANS ASSY (RB 269A5600-701)	1	1166 - 1474
	269A5600-701	•• TAIL ROTOR TRANS ASSY (RB 269A5600-703)	1	1475 - 1693
	269A5600-703	•• TAIL ROTOR TRANS ASSY	1	1694 & Subs.
-9	269A5654	••• HOUSING ASSY (Small liquid level plug)	1	1166 - 1693
	269A5654-5	••• HOUSING ASSY (Large liquid level plug)	1	1694 & Subs.
-10	269A5623	••• RETAINER ASSY-INPUT BEARING	1	
-11	269A5634	••• SHIM*	1	
-12	MS29561-235	••• "O" RING*	1	
-13	269A5639	••• SPACER	1	
-14	269A5050-64	••• BEARING*	1	
-15	269A5626-5	••• GEAR SHAFT ASSY.	1	
-16	269A4646-205	••• DECAL*	1	
-17	NAS1304-3H	••• BOLT	3	
	NAS620A416L	••• WASHER	3	
-18	269A5648-3	••• BREATHER	1	
	AN960KD1016L	••• WASHER*	AR	
	3-907-47-071	••• "O" RING*	1	
-19	269A5050-90	••• BEARING*	1	
-20	MS29561-135	••• "O" RING*	1	
-21	269A5633	••• SHIM*	1	
-22	269A5666	••• RETAINER ASSY - BEARING	1	
-23	S-53-HK	••• LIQUID LEVEL PLUG (Use with 269A5654 Housing)	1	1166 - 1693
	NAS617-8	••• "O" RING*	1	1166 - 1693
	269A5655	••• DECAL (Use with Small Liquid Level Plug)*	1	1166 - 1693
	S-51-PB	••• LIQUID LEVEL PLUG (Use with 269A5654-5 Housing)	1	1694 & Subs.
	NAS617-16	••• "O" RING*	1	1694 & Subs.
	269A5655-3	••• DECAL (Use With Large liquid Level Plug)*	1	1694 & Subs.
-24	NAS1303-3H	••• BOLT	3	
	NAS620A10L	••• WASHER	3	
-25	269A5050-65	••• BEARING (RB 269A5050-89)	1	1166 - 1474
	269A5050-89	••• BEARING*	1	1475 & Subs.
-26	269A5106-3	••• OUTPUT SHAFT	1	
-27	99091	••• SPEEDI-SLEEVE KIT*	1	
-28	2-036-47-071	••• "O" RING*	1	
-29	269A5638	••• SHIM*	2	

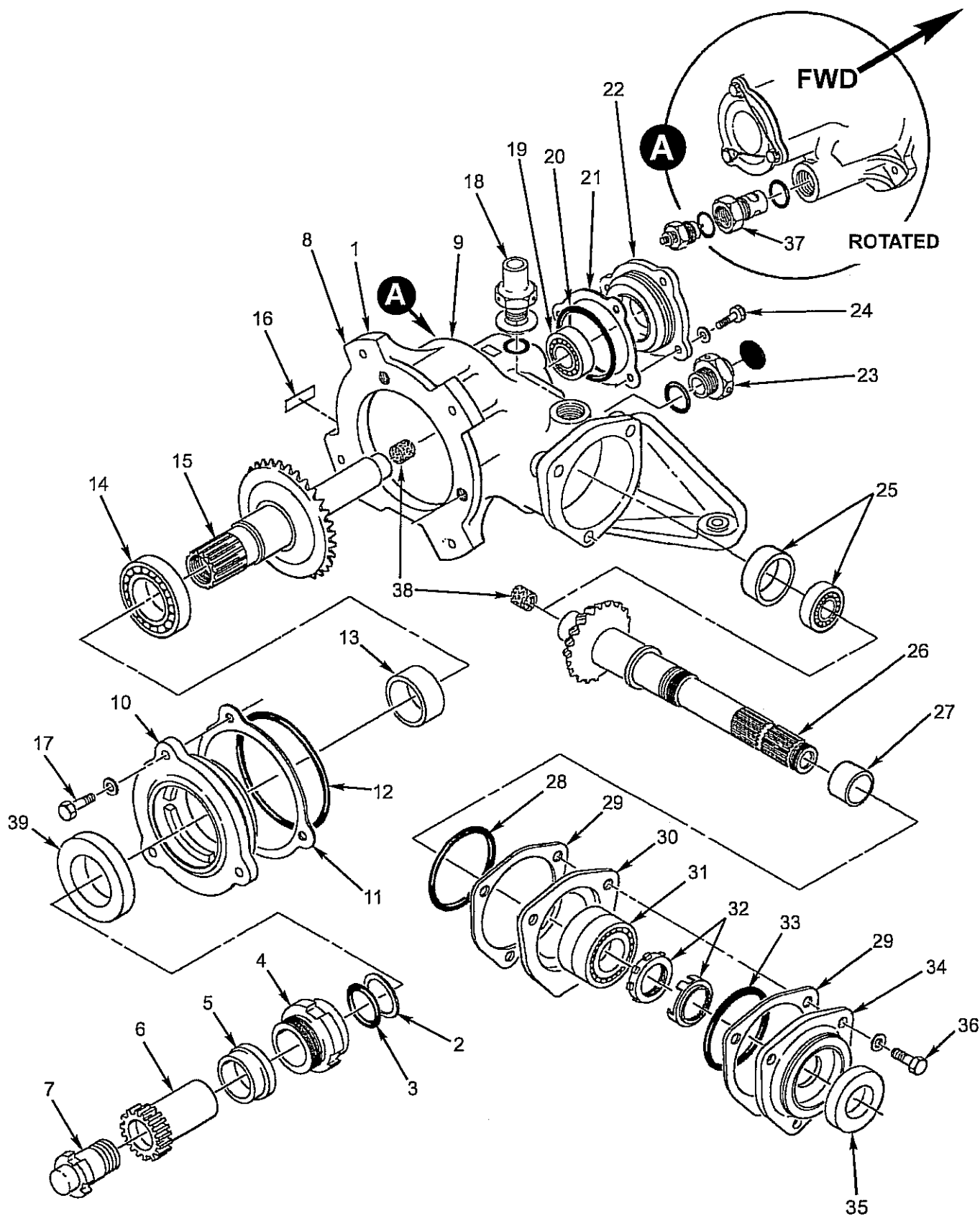


Figure 3-4. Gear Box Assembly - Tail Rotor

FIGURE & INDEX NUMBER	PART NUMBER	DESCRIPTION	QTY PER ASSY	A/C SERIAL NUMBER AFFECTED
3-4	269A6027	GEAR BOX ASSY - TAIL ROTOR		
-30	269A5665	••• RETAINER ASSY-OUTPUT BEARING (Interchangeable with 269A5665-5)	1	
	269A5665-5	••• RETAINER ASSY-OUTPUT BEARING (Interchangeable with 269A5665)	1	
-31	269A5050-87	••• BEARING - DUPLEX (RB 269A5050-88)	1	1166 - 1474
	269A5050-88	••• BEARING - DUPLEX*	1	1475 & Subs.
-32	SL61N-6F	••• LOCKNUT*	1	
	SL61W-6F	••• LOCKWASHER*	1	
-33	2-034-47-071	••• "O" RING*	1	
-34	269A5597	••• COVER-OUTPUT	1	
-35	269A6063-7	••• OIL SEAL (RB 269A6063-11)	1	1166 - 1755
	269A6063-11	••• OIL SEAL *	1	1756 & Subs.
-36	NAS1304-5H	••• BOLT	3	
	NAS620A416L	••• WASHER	3	
-37	269A5197	••• VALVE & CHIP DETECTOR	1	
	MS29561-111	••• "O" RING (SMALL)(ALTS 2-111, V747-75,M83248/1-012)*	1	
	NAS617-8	••• "O" RING*	1	
-38	234205-129	••• CORK* (ALT 07-791D)	2	
-39	269A6063-5	••• OIL SEAL (RB 269A6063-9)	1	1166 - 1755
	269A6063-9	••• OIL SEAL*	1	1756 & Subs.
*Part of SA-269K-082-01 Transmission Overhaul Kit				

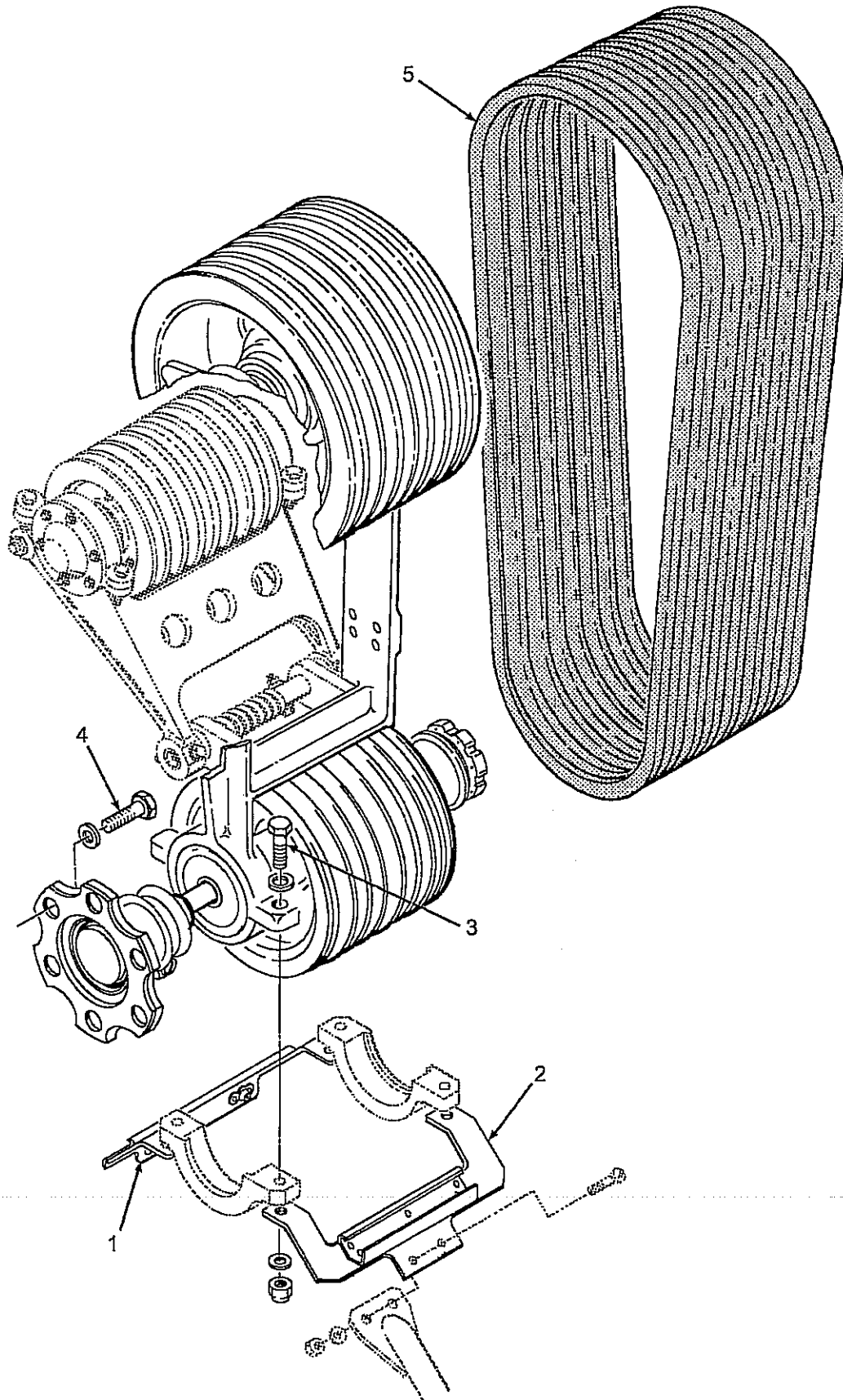


Figure 3-5. Drive Assembly - Main Rotor Belt Transmission

FIGURE & INDEX NUMBER	PART NUMBER	DESCRIPTION	QTY PER ASSY	A/C SERIAL NUMBER AFFECTED
3-5	269A5510	DRIVE ASSY - MAIN ROTOR BELT TRANSMISSION		
-1	269A5519-7	• BRACKET ASSY (Use with 269A5593-3 Frame Assy).	1	1166 - 1379
	269A5519-13	• BRACKET ASSY (Use with 269A5565-1 Frame Assy).	1	1380 & Subs.
-2	269A5517-13	• BRACKET ASSY (Use with 269A5593-3 Frame Assy).	1	1166 - 1379
	269A5517-17	• BRACKET ASSY (RB 269A5517-29)	1	1380 - 1732
	269A5517-29	• BRACKET ASSY (Use with 269A5565-1 Frame Assy).	1	1733 & Subs.
-3	NAS1304-19	• BOLT	4	
	AN960KD416	• WASHER	8	
	MS20365-428	• NUT	4	
-4	AN8H7A	• BOLT (ALT NAS1308-3H)	6	
	269A5495	• WASHER	6	
-5	269A5512-5	• BELT SET	1	

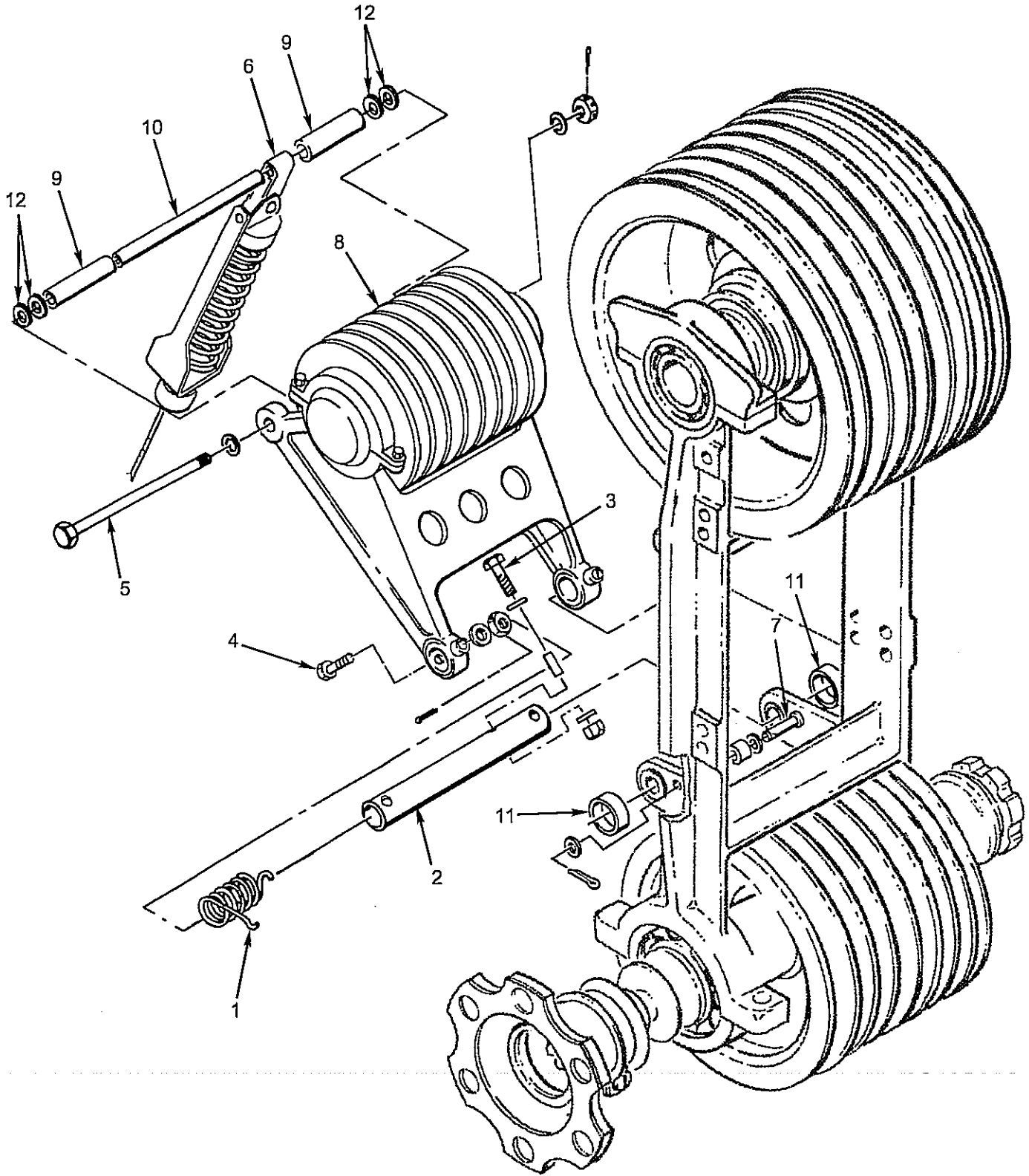


Figure 3-6. Drive Assembly & Main Rotor Belt Transmission

FIGURE & INDEX NUMBER	PART NUMBER	DESCRIPTION	QTY PER ASSY	A/C SERIAL NUMBER AFFECTED
3-6	269A5510	DRIVE ASSY & MAIN ROTOR BELT TRANSMISSION		
-1	269A5451	• SPRING	1	
-2	269A5583	• SHAFT	1	
-3	AN3-12A	• BOLT (ALT NAS1303-14)	1	
	AN960-10	• WASHER	2	
	NAS43HT3-12	• SPACER	1	
	MS20365-1032	• NUT (ALT MS21044N3)	1	
-4	ADB-159	• ADJUST O BOLT (ALT ABC 5526-101)	2	
	MS24665-153	• COTTER PIN	2	
-5	NAS1305-103D	• BOLT	1	
	AN960KD516L	• WASHER	2	
	MS20364-524	• NUT	1	
	MS24665-153	• COTTER PIN	1	
-6	269A5590-1	• SPRING ASSY, CLUTCH CONTROL (See Fig. 3-11)	REF	
-7	MS20392-2-53	• PIN	1	
	NAS43HT3-14	• SPACER	1	
	AN960-10	• WASHER	1	
	AN960KD10	• WASHER	1	
	MS24665-153	• COTTER PIN	1	
-8	269A5447-5	• CLUTCH ASSY, IDLER PULLEY (See Fig. 3-9)	1	1166 - 1655
	269A5447-7	• CLUTCH ASSY, IDLER PULLEY	1	1656 - 1660
	269A5447-9	• CLUTCH ASSY, IDLER PULLEY	1	1661 & Subs.
-9	269A5437	• SPACER (Use with 269A5575-3, -5, -7 Support Fig. 3-9)	2	
	269A5437-3	• SPACER (Use with 269A5575-11 Support)	2	
-10	269A5443	• TUBE	1	
-11	269A5475	• SPACER (Use with 269A5447-5 Assy)	2	1166 - 1660
	269A5475-3	• SPACER (Use with 269A5447-9 Assy)	2	1661 & Subs.
-12	269A5410-3	• SHIM (ALT AN960KD516 or 516L)	AR	

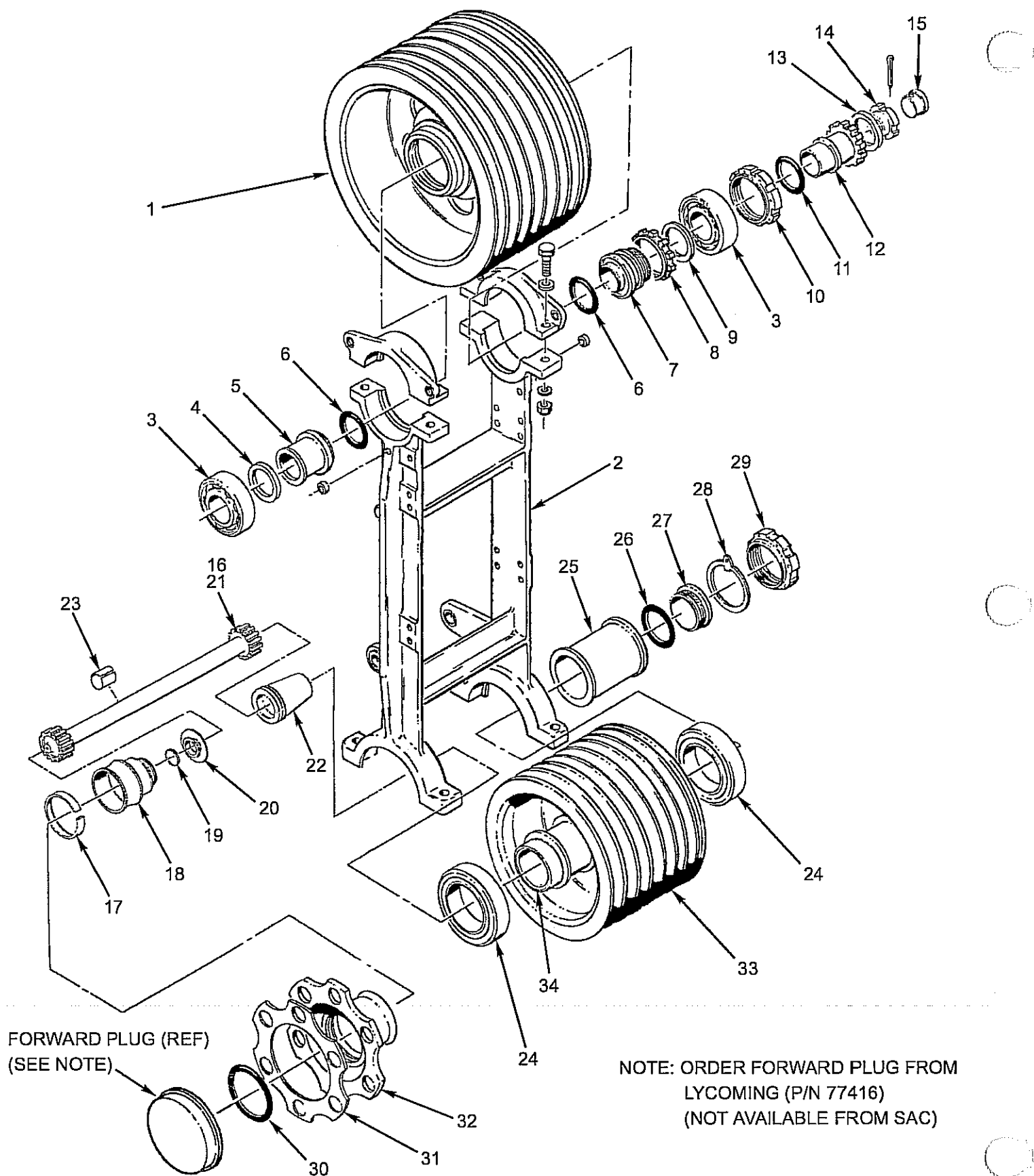


Figure 3-7. Drive Assembly & Main Rotor Belt Transmission

FIGURE & INDEX NUMBER	PART NUMBER	DESCRIPTION	QTY PER ASSY	A/C SERIAL NUMBER AFFECTED
3-7	269A5510	DRIVE ASSY & MAIN ROTOR BELT TRANSMISSION		
-1	269A5505	• PULLEY ASSY (Fig. 3-12)	REF	
-2	269A5593	• FRAME ASSY (Fig. 3-8)	REF	
-3	269A5050-78	• BEARING (ALT 269A5050-96)	2	
-4	269A5492	• SHIM	1	1166 - 1674
-5	269A5502-1	• SPACER	1	1166 - 1674
-6	MS29513-129	• O-RING PACKING	2	1166 - 1674
-7	269A5560	• SLEEVE-BELT DRIVE	1	1166 - 1674
-8	SL61N8-FSP4	• LOCK NUT	1	1166 - 1674
-9	269A5562	• SPACER	1	1166 - 1674
-10	269A5714	• NUT	1	
-11	269A5708	• PACKING	1	
-12	269A5430-1	• SPLINE	1	
-13	269A5595-1	• BUSHING	1	
-14	269A5449-5	• NUT	1	
	MS24665-306	• COTTER PIN	1	
-15	269A5441	• PLUG	1	
-16	269A5559	• SHAFT ASSY	1	
-17	C3499-36-556	•• SPEED CLAMP	1	
-18	269A5473	•• BOOT	1	
-19	RS-131-C	•• RING	1	
-20	269A5552	•• RING	1	
-21	269A5559-3	•• SHAFT <i>lower coupling</i>	1	
-22	269A5509-3	•• RETAINER	1	
-23	269A5558	•• RING	1	
-24	269A5050-80	• BEARING	2	1166 - 1379
	269A5050-85	• BEARING	2	1380 & Subs.
-25	269A5468	• SPACER	1	1166 - 1379
	269A5468-3	• SPACER	1	1380 & Subs.
-26	AN6230-1	• GASKET	1	
-27	269A5419	• PLUG	1	
-28	269A5416	• RING	1	
-29	269A5415	• NUT	1	
-30	AN6230-6	• GASKET	1	
-31	269A5487	• GASKET	1	
-32	269A5411	• ADAPTER	1	
-33	269A5497-9	• PULLEY ASSY	1	
-34	269A5498-5	•• SHAFT (ALT 269A5498-15)	1	

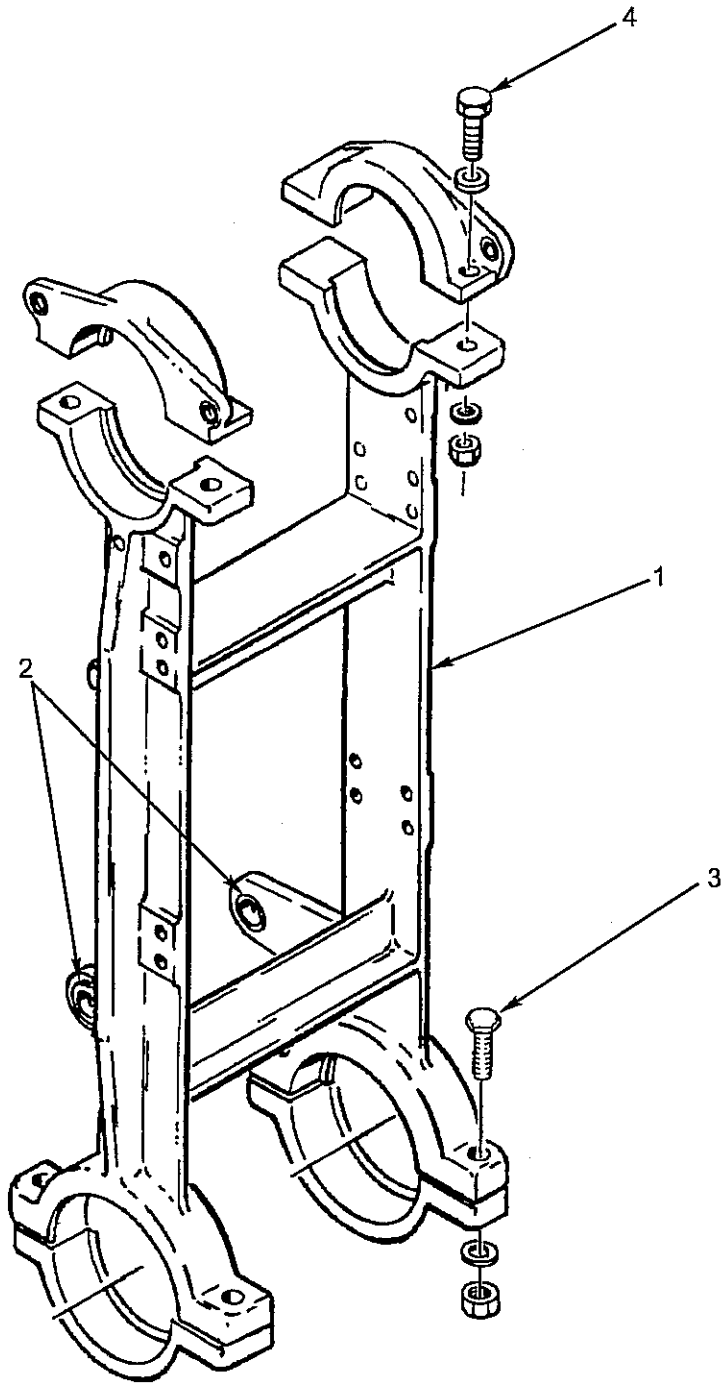


Figure 3-8. Frame Assembly - Belt Drive Transmission

FIGURE & INDEX NUMBER	PART NUMBER	DESCRIPTION	QTY PER ASSY	A/C SERIAL NUMBER AFFECTED
3-8	269A5593	FRAME ASSEMBLY - BELT DRIVE TRANSMISSION		
-1	269A5593-3	• FRAME ASSY	1	1166 - 1379
	269A5565-1	• FRAME ASSY	1	1380 & Subs.
-2	269A5527	•• BUSHING.	2	
-3	NAS1304-19	•• BOLT	4	
	AN960KD416	•• WASHER	8	
	MS20365-428	•• NUT (ALT MS21044N4)	4	
-4	NAS1304-11	•• BOLT	4	
	AN960KD416	•• WASHER	8	
	MS20365-428	•• NUT (ALT MS21044N4)	4	

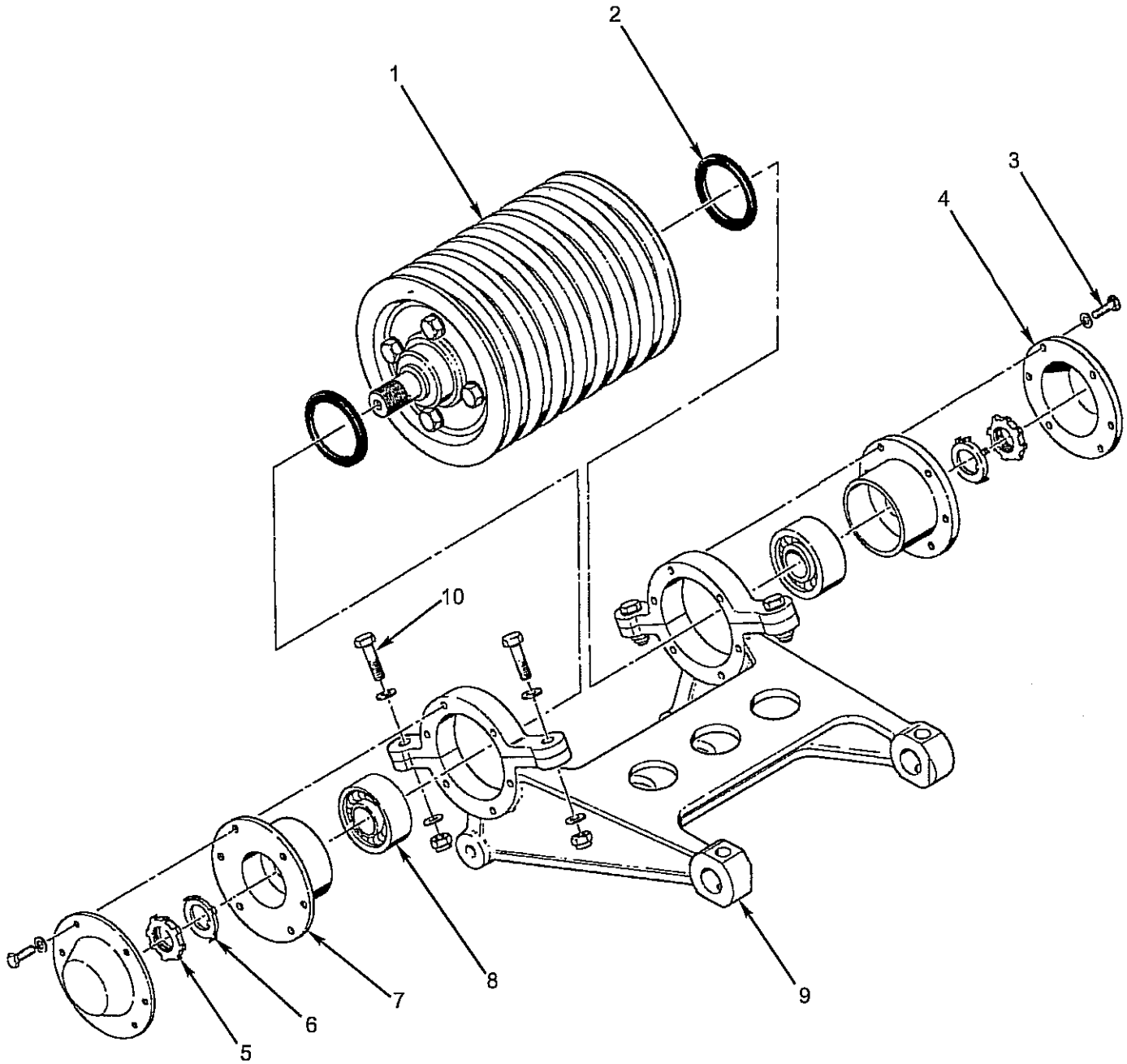


Figure 3-9. Clutch Assembly - Belt Drive Idler Pulley

FIGURE & INDEX NUMBER	PART NUMBER	DESCRIPTION	QTY PER ASSY	A/C SERIAL NUMBER AFFECTED
3-9	269A5447-5 269A5447-7 269A5447-9	CLUTCH ASSY - BELT DRIVE IDLER PULLEY CLUTCH ASSY - BELT DRIVE IDLER PULLEY (Service Test) CLUTCH ASSY - BELT DRIVE IDLER PULLEY		1166 - 1655 1656 - 1660 1661 & Subs.
-1	269A5582	• PULLEY ASSY	1	
-2	71X6187	• SEAL (ALT 71X5239)	2	
-3	NAS1096-2-7 AN960-8L	• SCREW • WASHER (ALT AN960C8L)	12 12	
-4	269A5581	• COVER	2	
-5	N02	• NUT	2	
-6	W02	• WASHER	2	
-7	269A5580	• RETAINER	2	
-8	269A5050-74	• BEARING	2	
-9	269A5575-3 269A5575-5 269A5575-7 269A5575-11	• SUPPORT (Use 269A5475 Spacer, RB 269A5475-11). • SUPPORT (RB 269A5475-11) • SUPPORT (Use 269A5475-3 Spacers, RB 269A5475-11) • SUPPORT	1 1 1 1	1166 - 1655 1656 - 1660 1661 - 1803 1804 & Subs.
-10	NAS1304-9 AN960KD416 MS20365-428	• BOLT • WASHER • NUT	4 8 4	

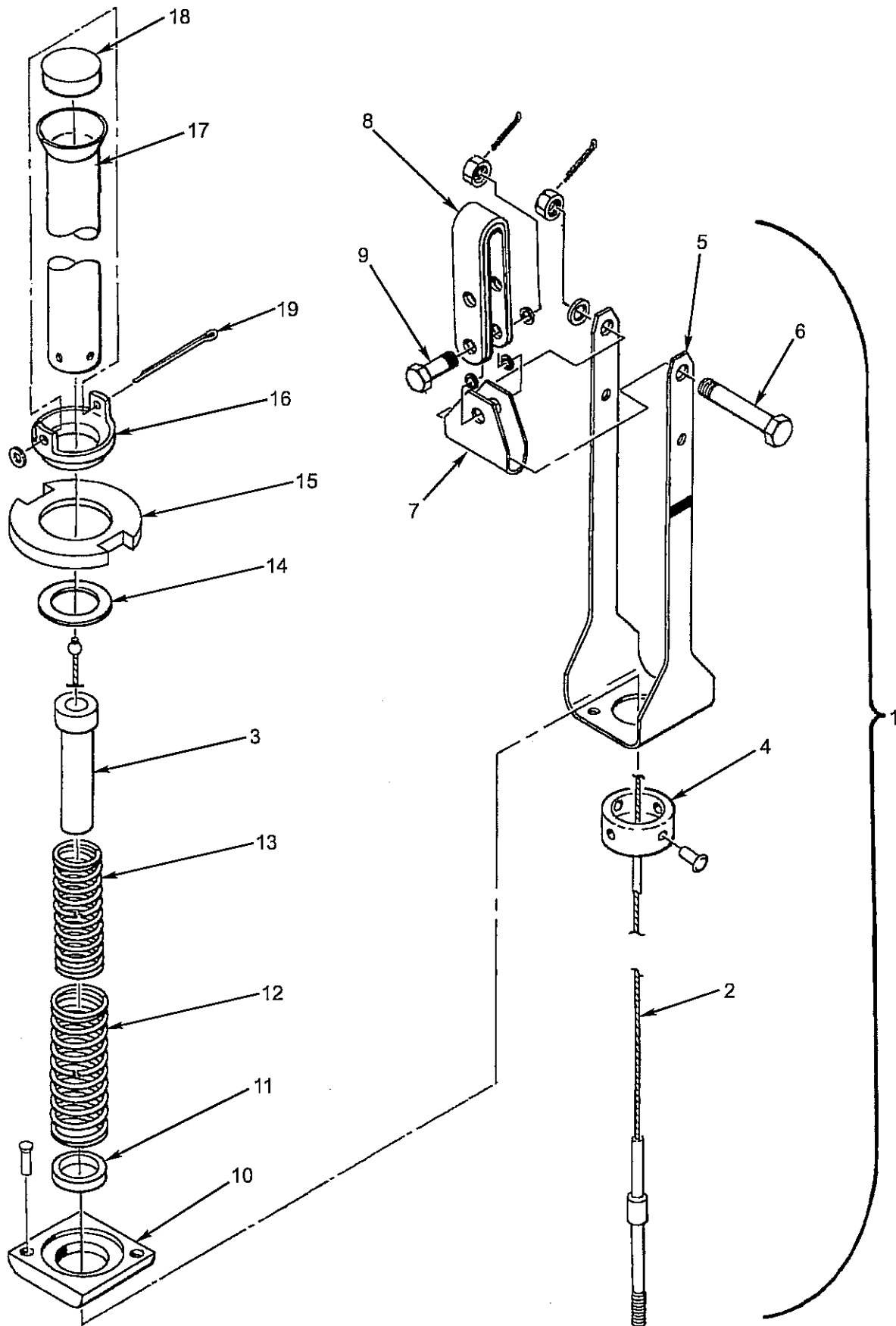


Figure 3-10. Spring Assembly - Belt Drive Clutch Control

FIGURE & INDEX NUMBER	PART NUMBER	DESCRIPTION	QTY PER ASSY	A/C SERIAL NUMBER AFFECTED
3 -10	269A5590	SPRING ASSY - BELT DRIVE CLUTCH CONTROL		
-1	269A5590-1	• SPRING ASSY, CLUTCH CONTROL (RB 269A5800-1) . . .	1	1166 - 1838
	269A5800-1	• SPRING ASSY, CLUTCH CONTROL (See Fig. 3-11) . . .	REF	1839 & Subs.
-2	269A5590-9	•• CABLE ASSY (RB 269A5590-15)*	1	1166 - 1838
	269A5590-15	•• CABLE ASSY	1	1839 & Subs.
-3	269A5587-1	••• GUIDE	1	
-4	269A5467-3	•• END	1	
	MS20470AD4	•• RIVET	4	
-5	269A5453L	•• HOUSING	1	
-6	NAS1304-26D	•• BOLT	1	
	AN960-416L	•• WASHER (ALT NAS1149FO432P)	AR	
	MS17826-4	•• NUT	1	
	MS24665-151	•• COTTER PIN	1	
-7	269A5484	•• FITTING	1	
-8	269A5436-13	•• FITTING	1	
-9	NAS1304-11D	•• BOLT	1	
	AN960-416L	•• WASHER (ALT NAS1149FO432P)	AR	
	MS17826-4	•• NUT	1	
	MS24665-151	•• COTTER PIN	1	
-10	269A5586-1	•• SEAT	1	
	MS20426A3	•• RIVET	2	
-11	269A5588-1	•• SEAT	1	
-12	269A5476	•• SPRING (LARGE)	1	1166 - 1748
	269A5476-3	•• SPRING (Use with 269A5590-13 Retainer).	1	1749 & Subs.
-13	269A5488	•• SPRING (SMALL)	1	
-14	269A5486-3	•• WASHER	1	
-15	269A5485-3	•• GUIDE	1	
-16	269A5466-3	•• WASHER	1	
-17	269A5590-7	•• RETAINER ASSY (RB 269A5590-13).	1	
	269A5590-101	••• THERMOFIT TUBE	1	1166 - 1748
	269A5590-13	•• RETAINER (Use with 269A5476-3 Spring)	1	1749 & Subs.
-18	269A5462-3	•• CAP	1	
-19	MS24665-306	•• COTTER PIN	1	
	AN960-4L	•• WASHER (ALT NAS1149FN416P).	1	
		*Replace with SA-269K-111 Kit.		

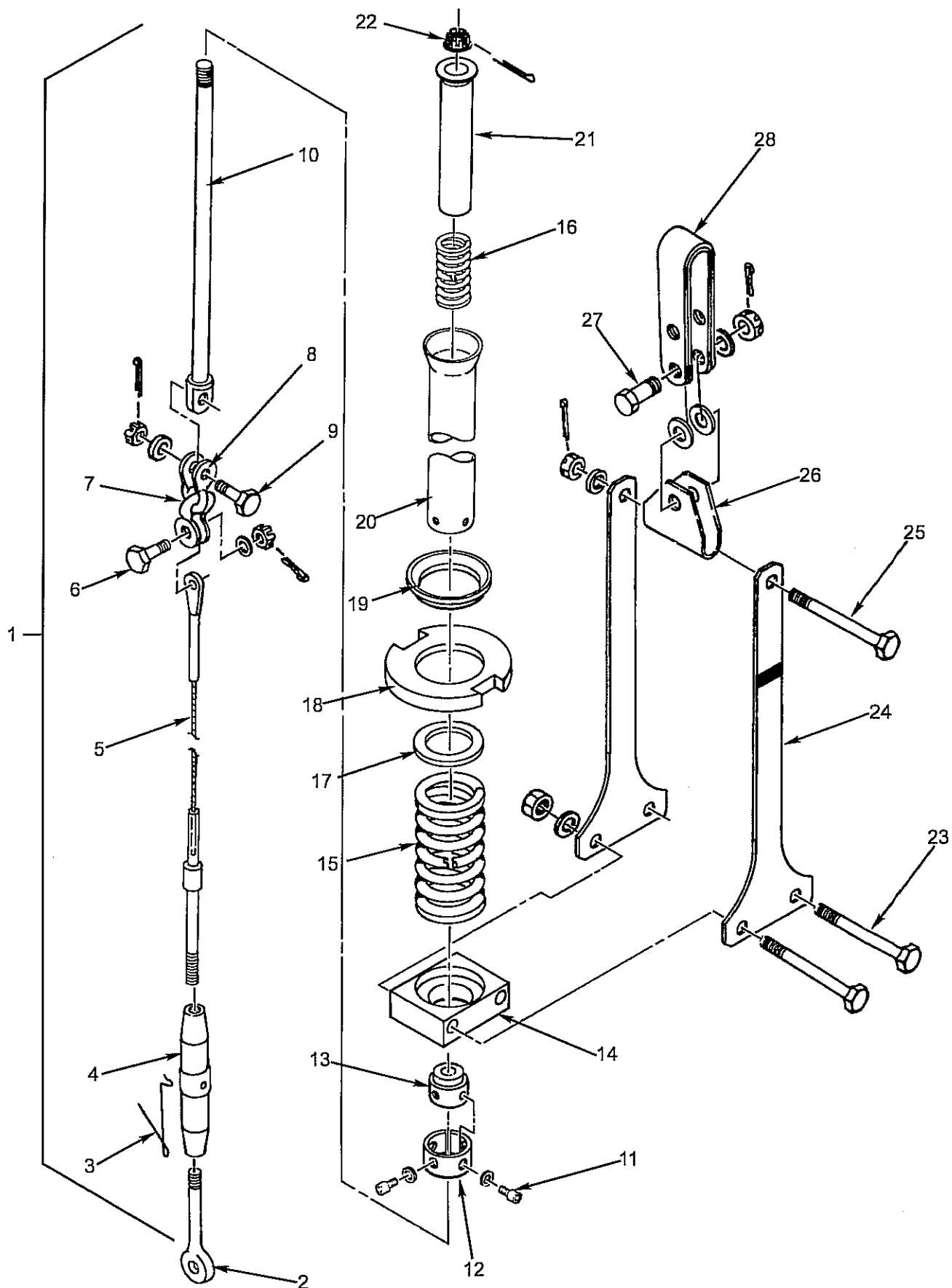


Figure 3-11. Spring Assembly - Belt Drive Clutch Control (269A5800)

FIGURE & INDEX NUMBER	PART NUMBER	DESCRIPTION	QTY PER ASSY	A/C SERIAL NUMBER AFFECTED
3 -11	269A5800	SPRING ASSY - BELT DRIVE CLUTCH CONTROL		
-1	269A5800-1	• CLUTCH SPRING ASSY	1	1839 & Subs.
-2	AN165-22LL	•• CONNECTOR	1	
-3	MS21256-2	•• CLIP	2	
-4	MS21251-5L	•• TURNBUCKLE	1	
-5	269A5800-3	•• CABLE ASSEMBLY	1	
-6	NAS6203-6D	•• BOLT	1	
	NAS1149F0363P	•• WASHER	1	
	MS17826-3	•• NUT	1	
	MS24665-151	•• COTTER PIN	1	
-7	MS20115-4	•• CLEVIS	1	
-8	MS20115-5	•• CLEVIS	1	
-9	NAS6204-7D	•• BOLT	1	
	NAS1149F0463P	•• WASHER	1	
	MS17826-4	•• NUT	1	
	MS24665-151	•• COTTER PIN	1	
-10	AN44-75C	•• EYE BOLT	1	
-11	NAS1351-3H6P	•• SCREW	4	
	NAS1149D0332K	•• WASHER	4	
-12	269A5801-5	•• COLLAR	1	
-13	269A5801-3	•• GUIDE	1	
-14	269A5801-13	•• SEAT	1	
-15	269A5476-3	•• SPRING	1	
-16	269A5488	•• SPRING	1	
-17	269A5486-3	•• WASHER	1	
-18	269A5485-3	•• GUIDE	1	
-19	269A5466	•• WASHER	1	
-20	269A5585-3	•• RETAINER	1	
-21	269A5801-11	•• RETRACTOR	1	
-22	MS14144-5	•• NUT	1	
	MS24665-151	•• COTTER PIN	1	
-23	NAS6204-26	•• BOLT	2	
	NAS1149F0463P	•• WASHER	2	
	MS21042-4	•• NUT	2	
-24	269A5801-7	•• STRAP	2	
-25	NAS6204-26D	•• BOLT	1	
	NAS1149F0463P	•• WASHER	AR	
	MS17826-4	•• NUT	1	
	MS24665-151	•• COTTER PIN	1	
-26	269A5484	• FITTING	1	
-27	NAS6204-11D	•• BOLT	1	
	NAS1149F0432P	•• WASHER	2	
	NAS1149F0463P	•• WASHER	AR	
	MS17826-4	•• NUT	1	
	MS24665-151	•• COTTER PIN	1	
-28	269A5436-13	•• FITTING	1	

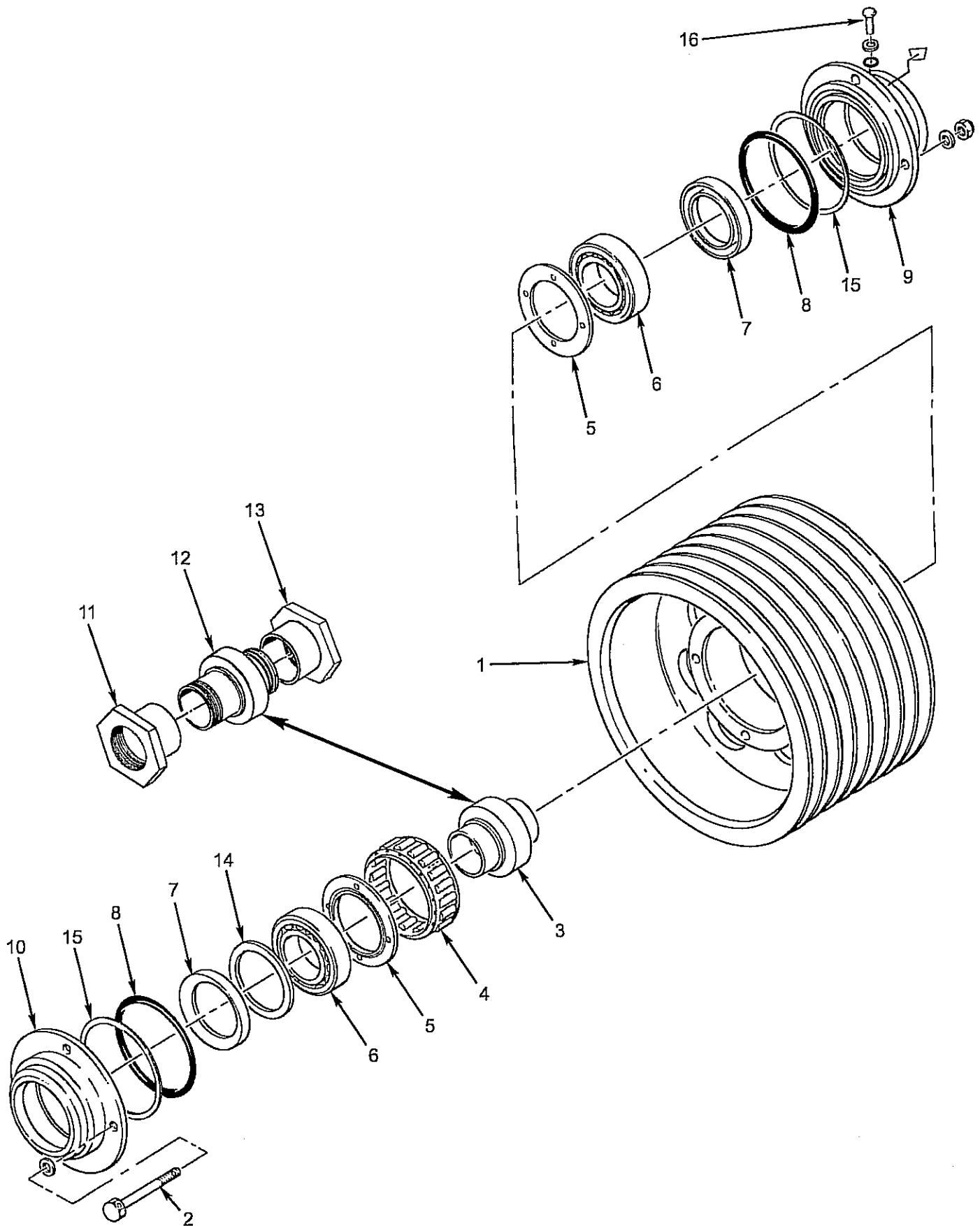


Figure 3-12. Upper Pulley Assembly - Main Transmission

FIGURE & INDEX NUMBER	PART NUMBER	DESCRIPTION	QTY PER ASSY	A/C SERIAL NUMBER AFFECTED
3-12	269A5505	UPPER PULLEY ASSY - MAIN TRANSMISSION		
	269A5505-3	• PULLEY ASSY	1	1166 - 1674
	269A5505-5	• PULLEY ASSY	1	*1675 & Subs.
-1	269A5421-3	• PULLEY	1	
-2	NAS1303-24	• BOLT	4	
	AN960KD10L	• WASHER	8	
	MS21042-3	• NUT	4	
-3	269A5406	• HUB	1	1166 - 1674
-4	132035A	• CLUTCH ASSY	1	
-5	269A5409	• RETAINER	2	
-6	269A5050-12	• BEARING	2	
-7	66X1189	• SEAL-KLOZURE (RB 1474)	2	
	1474	• SEAL-KLOZURE	2	
-8	AN6230-13	• GASKET (ALT MS28775-235)	2	
-9	269A5508-7	• CAP-AFT	1	
-10	269A5507-7	• CAP-FORWARD	1	
-11	269A5402-1	• FORWARD NUT	1	*1675 & Subs.
-12	269A5599-1	• HUB ASSY	1	*1675 & Subs.
-13	269A5402-3	• AFT NUT	1	*1675 & Subs.
-14	M10008-3	• SHIM (AR by HMI)	AR	
-15	269A5507-11	• SHIM (AR by HMI)	AR	
-16	MS20074-03-02	• BOLT (ALT AN73A2)	3	
	AN960KD10	• WASHER	3	
	800-015-10	• LOCKOSEAL	3	
*Also includes Serial Number 1651				

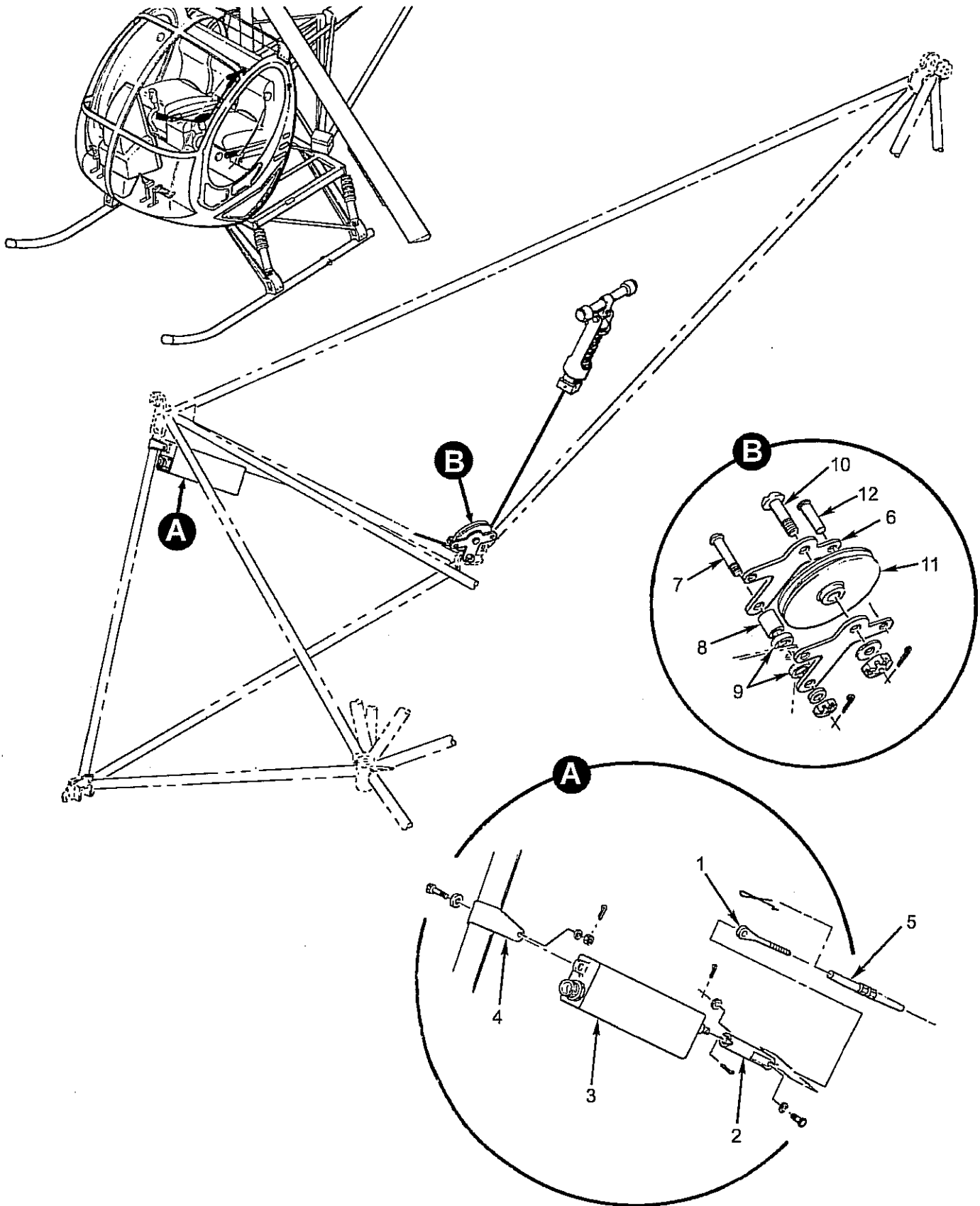


Figure 3-13. Clutch Control Installation