

SCHWEIZER MODEL 269C-1 HELICOPTER
ILLUSTRATED PARTS CATALOG

SECTION 6

ELECTRICAL & PLUMBING SYSTEMS

This page is intentionally left blank.

SECTION 6 TABLE OF CONTENTS

6-1	INSTRUMENT CONSOLE HOUSING	6-4
6-2	INSTRUMENT CONSOLE ASSEMBLY	6-6
6-3	INSTRUMENT PLUMBING INSTALLATION	6-10
6-4	INSTRUMENT PLUMBING INSTALLATION AFT COMPONENTS	6-12
6-5	ELECTRICAL EQUIP INSTALLATION 24 VOLT	6-14
6-6	ELECTRICAL INSTALLATION COMPONENTS	6-16
6-7	BATTERY/ELECT EQUIP TRAY INSTALLATION	6-18
6-8	NIGHT FLYING LIGHT INSTALLATION	6-20
6-9	UTILITY LIGHT INSTALLATION	6-22
6-10	CLOCK INSTALLATION	6-24
6-11	OVERHEAD COMPASS INSTALLATION	6-26

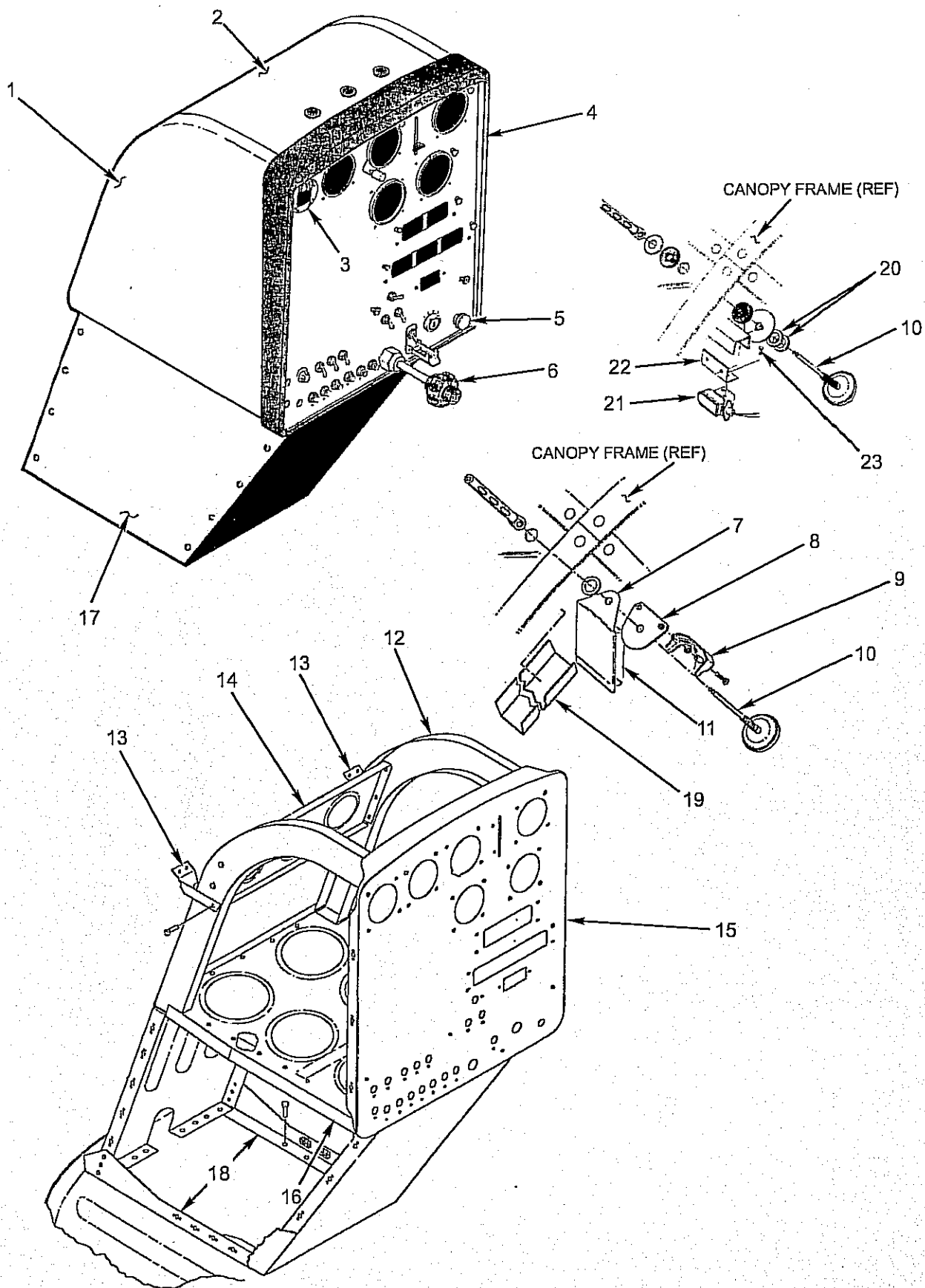


Figure 6-1. Instrument Console Housing

FIGURE & INDEX NUMBER	PART NUMBER	DESCRIPTION	QTY PER ASSY	A/C SERIAL NUMBER AFFECTED
6-1	269A4533	INSTRUMENT CONSOLE HOUSING		
-1	269A4544-5	• COVER-L.H.	1	
	269A4544-6	• COVER-R.H.	1	
-2	269A4544-3	• TRIM COVER	1	
-3	C2300-L4-24	• COMPASS	1	
	269A4811	• WEDGE	1	
	MS35214-28	• SCREW (TOP)	2	
	MS35214-31	• SCREW (BOTTOM)	2	
-4	269A4544-7	• COVER ASSY	1	
	269A4896	• COVER, COMPASS CORRECTION.	1	
	269A4834-3	• CARD, COMPASS CORRECTION	1	
-5	269A4897-11	• PUSH-PULL CONTROL	1	
-6	A-790-60	• MIXTURE CABLE	1	
-7	269A4949	• BRACKET	1	
-8	269A4558-3	• BRACKET	1	
-9	269A4363	• LIGHT ASSY	1	
	#1819	• LAMP	2	
-10	2716	• INDICATOR (ALT 1592-27)	2	
-11	269A4646-201	• DECAL	1	
-12	269A4541-21	• CHANNEL-L.H.	1	
	269A4541-22	• CHANNEL-R.H.	1	
-13	269A4541-41	• ANGLE - L.H.	1	
	269A4541-42	• ANGLE - R.H.	1	
-14	269A4541-39	• STIFFENER	1	
-15	269A4532-43	• PANEL	1	
-16	269A4541-23	• INTERCOSTAL	1	
-17	269A4533-49	• PANEL - L.H.	1	
	269A4533-50	• PANEL-R.H.	1	
-18	269A4533-91	• ANGLE-L.H.	1	
	269A4533-92	• ANGLE-R.H.	1	
	NAS1096-3-7	• SCREW	8	
	AN960KD10LL	• WASHER	16	
	MS21044N3	• NUT	8	
-19	269A4765	• RETAINER	2	
-20	HS306-233H	• WASHER	2	
-21	A315-H1-R-28	• FLOODLIGHT	1	
-22	269A4558-9	• BRACKET	1	
-23	AD42H	• RIVET	4	

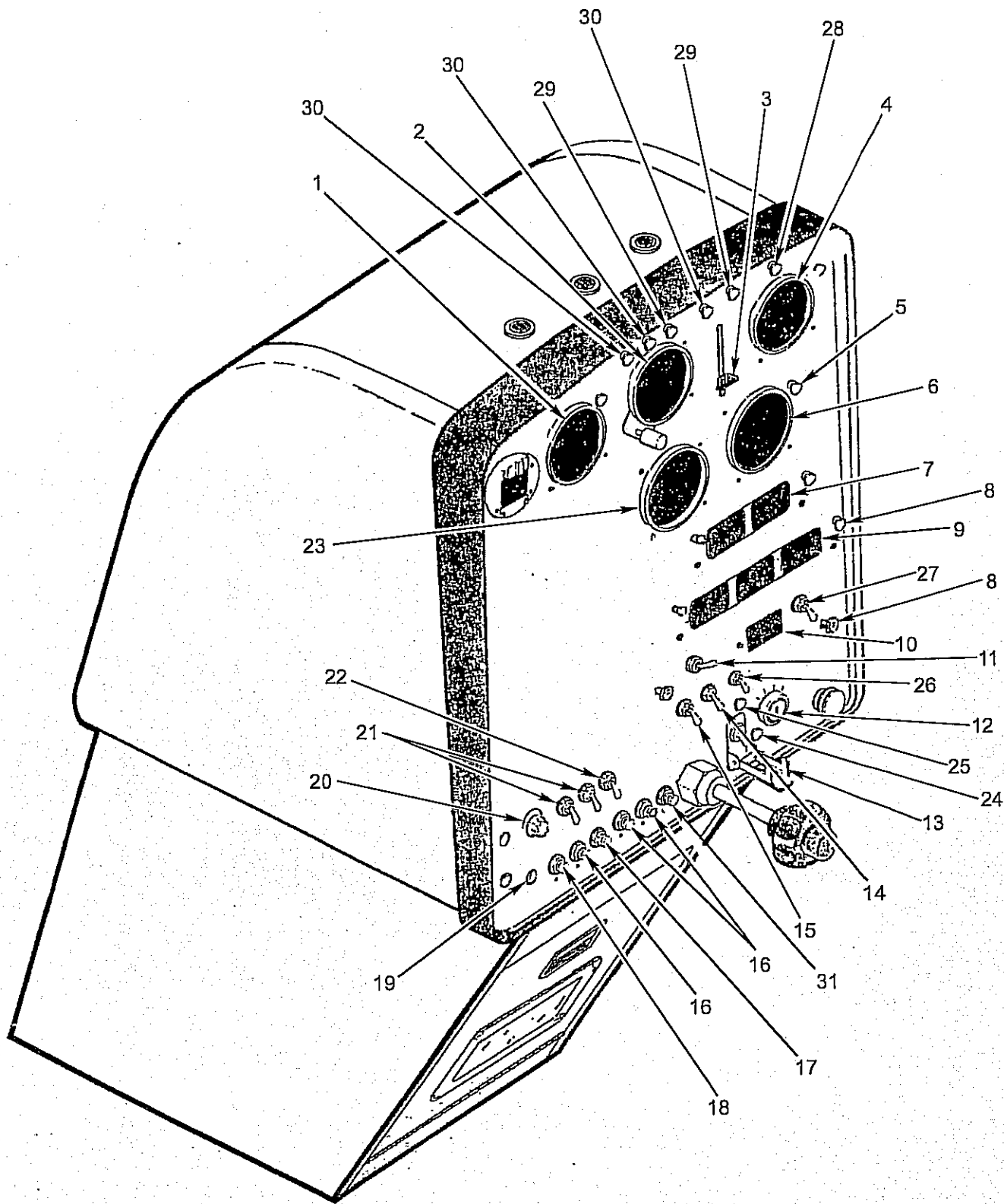


Figure 6-2. Instrument Console Assembly

FIGURE & INDEX NUMBER	PART NUMBER	DESCRIPTION	QTY PER ASSY	A/C SERIAL NUMBER AFFECTED
6-2	269A4004	INSTRUMENT CONSOLE ASSEMBLY		
-1	269A4600-13	• AIRSPEED INDICATOR	1	
-2	269A4437-1	• ALTIMETER	1	
-3	400-032-95	• LEVER CONTROL	1	0001-0138
-4	MD11-6	• CARB AIR TEMP. GAGE	1	0001-0138
-5	5952-8ND-R28	• BOLT LIGHT	7	
-6	269A4250-13	• MANIFOLD PRESSURE INDICATOR	1	
-7	269A4106-5	• INSTR. CLUSTER ASSY	1	0001-0106
	6246-00707	• • FUEL QTY. IND. (35 gal.)	1	0001-0106
	6246-00284	• • CYL. HEAD TEMP. IND.	1	0001-0106
	269A4105-5	• INSTR. CLUSTER ASSY	1	0107-0138
	6246-00734	• • FUEL QTY. IND (32 gal.)	1	0107-0138
	6246-00284	• • CYL. HEAD TEMP IND.	1	0107-0138
	269A4105-1	• INSTR. CLUSTER ASSY)	1	0139 & Subs.
	6246-00734	• • FUEL QTY. IND (32 gal.)	1	0139 & Subs.
	6246-00283	• • FUEL PRESSURE. IND.	1	0139 & Subs.
	6246-00186	• • CYL. HEAD TEMP. IND.	1	0139 & Subs.
	269A4106-7	• INSTR. CLUSTER ASSY (Extended Range - OPT).	1	
	6246-00714	• • FUEL QTY. IND (63 Gal.)	1	
	6246-00284	• • CYL. HEAD TEMP. IND.	1	
	269A4105-3	• INSTR. CLUSTER ASSY (Extended Range - OPT).	1	
	6246-00735	• • FUEL QTY. IND (64 Gal.)	1	
	6246-00283	• • FUEL PRESSURE IND.	1	
	6246-00186	• • CYL. HEAD TEMP. IND.	1	
-8	5805QD-R28	• BOLT LIGHT	5	
-9	269A4107-613	• INSTR. CLUSTER ASSY	1	
	6246-00704	• • OIL PRESS. IND.	1	
	6246-00705	• • OIL TEMP. IND.	1	
	6246-00680	• • AMMETER	1	
-10	85000	• HOBBS HOUR METER	1	
-11	MS35058-23	• SWITCH.	1	
-12	269A4622	• SWITCH.	1	
-13	7701K2	• SWITCH (ALT 7692K13)	1	
	269A4895	• GUARD	1	
-14	MS24509A7.5	• CIRCUIT BREAKER (ALT 7270-1-7.5)	1	
-15	MS35058-22	• SWITCH.	1	
-16	MS24510A7.5	• CIRCUIT BREAKER	4	0001-0161
	MS26574-7.5	• CIRCUIT BREAKER	4	0162 & Subs.
-17	MS24510A20	• CIRCUIT BREAKER	1	0001-0161
	MS26574-20	• CIRCUIT BREAKER	1	0162 & Subs.
-18	MS26574-3	• CIRCUIT BREAKER	1	
-19	DP-500	• PLUG	3	
-20	269A4246-9	• TANDEM RHEOSTAT	1	
-21	MS24509A10	• CIRCUIT BREAKER (ALT 7270-1-10)	2	
-22	MS24509A7.5	• CIRCUIT BREAKER (ALT 7270-1-7.5)	1	

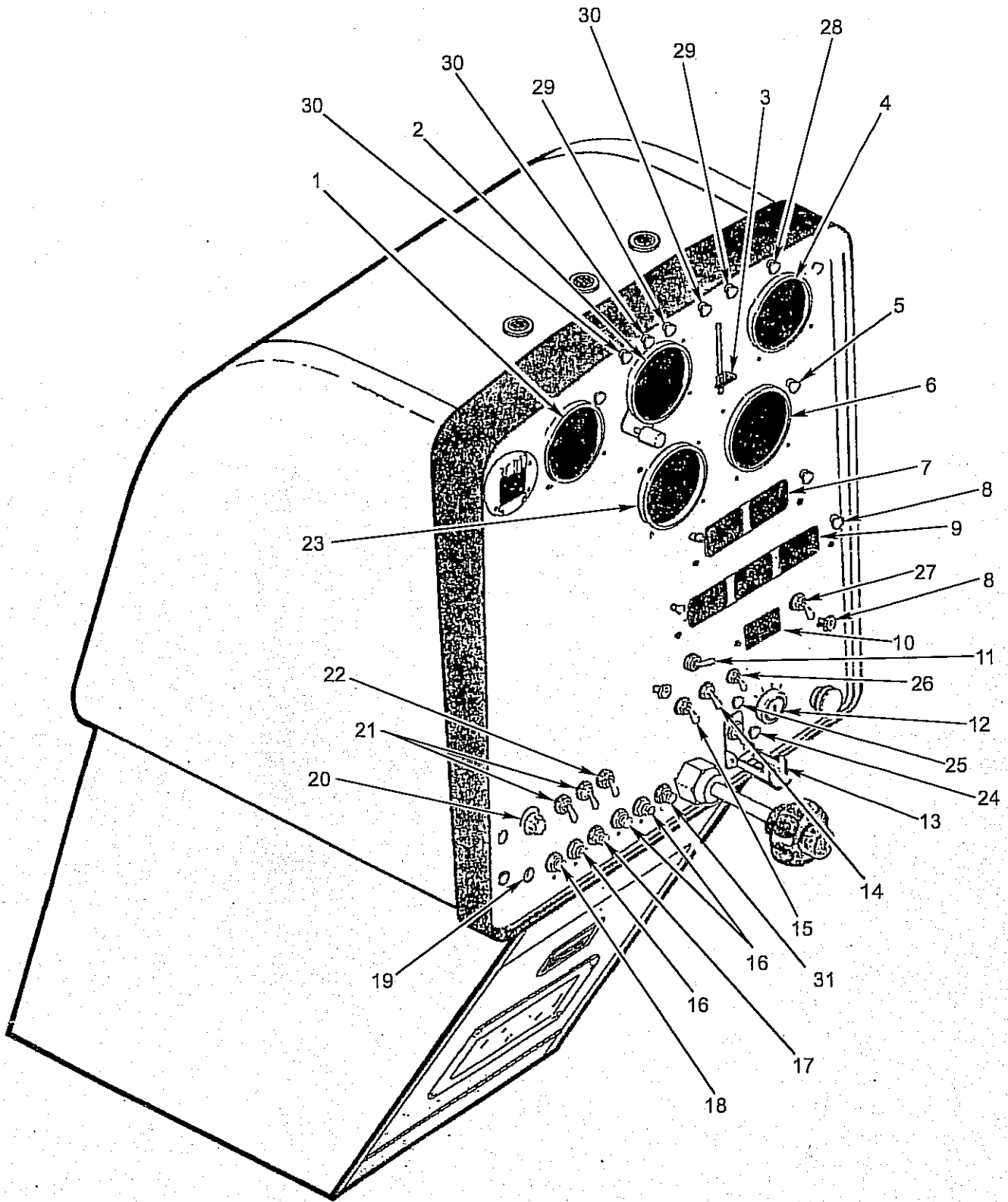


Figure 6-2. Instrument Console Assembly

FIGURE & INDEX NUMBER	PART NUMBER	DESCRIPTION	QTY PER ASSY	A/C SERIAL NUMBER AFFECTED
6-2	269A4004	INSTRUMENT CONSOLE ASSEMBLY		
-23	269A4251-15	• TACHOMETER	1	0001-0138
	269A4251-25	• TACHOMETER (Used in Ukraine only)	1	
	269A4251-29	• TACHOMETER	1	0139 & Subs.
-24	269A4540-837	• LIGHT, CLUTCH WARN (RB SSI-LHX600SID-150)	1	0001-0161
	SSI-LHX600SID-150	• LIGHT, CLUTCH WARN (LED requires ERG-2SJ122 resistor)	1	0162 & Subs.
	ERG-2SJ122	• RESISTOR (Required with SSI-LHX600SID-150 LED)	1	0162 & Subs.
-25	SSI-LHX600UPGD5V150	• LIGHT, AUTO ENGAGE	1	0139 & Subs.
-26	7411SYZQE	• SWITCH, AUTO ENGAGE	1	0139 & Subs.
-27	MS24509A10	• SWITCH, FUEL PUMP	1	0139 & Subs.
-28	MPA-206R	• SWITCH, TEST	1	0139 & Subs.
	C222	• • CAP	1	0139 & Subs.
-29	MS25041-6	• LIGHT ASSY, RED	2	
	#327	• • LAMP	1	
-30	MS25041-8	• LIGHT ASSY, AMBER	1	
	#327	• • LAMP	1	
-31	MS24510A3	• CIRCUIT BREAKER	1	0001-0161
	MS26574-3	• CIRCUIT BREAKER	1	0162 & Subs.

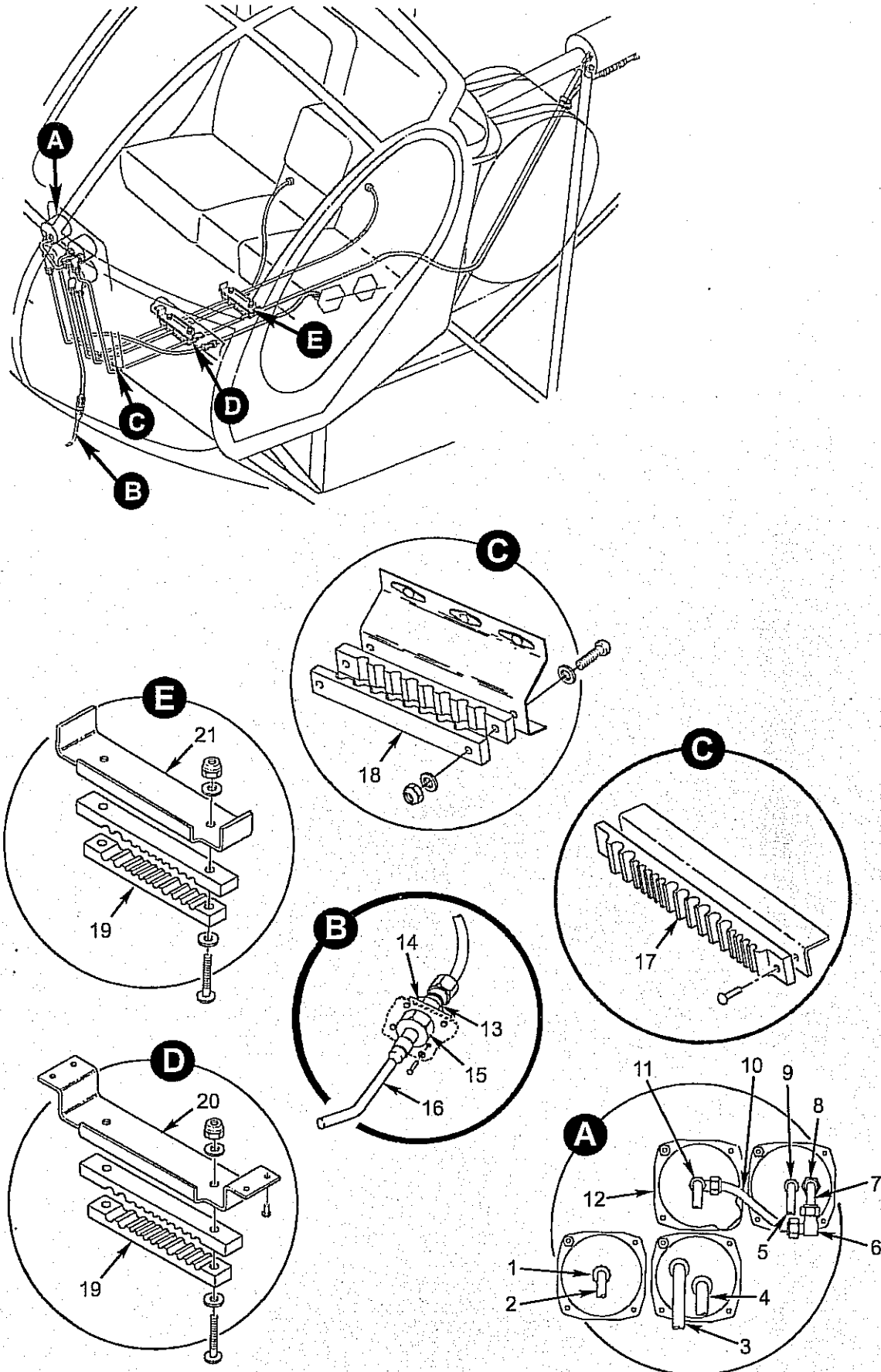


Figure 6-3. Instrument Plumbing Installation

FIGURE & INDEX NUMBER	PART NUMBER	DESCRIPTION	QTY PER ASSY	A/C SERIAL NUMBER AFFECTED
6-3	269A4004	INSTRUMENT PLUMBING INSTL.		
-1	AN816-4D	• NIPPLE	1	
-2	269A8328-79	• TUBE ASSY	1	
-3	269A4619-3	• DRIVE SHAFT - ROTOR	1	
-4	269A4618-3	• DRIVE SHAFT - ENGINE	1	
-5	269A8328-17	• TUBE ASSY	1	
-6	NY400-9	• ELBOW	1	
-7	269A4540-71	• TUBE.	1	
-8	NY400-1-2-OR	• CONNECTOR	1	
-9	AN816-4D	• NIPPLE	1	
-10	269A4540-79	• TUBE.	1	
-11	NY-400-3-TMT	• TEE	1	
-12	269A8328-71	• TUBE ASSY	1	
-13	4-V6X-S	• 45° FITTING	1	
-14	6-4TETXS	• REDUCER	1	
-15	AN818-4D	• NUT	1	
-16	269A4572-5	• TUBE ASSY-PITOT	1	
-17	269A4570	• TUBE CLAMP	1	0001-0034
-18	269A4069-9	• FAIRLEAD	2	0035 & Subs.
	NAS602-16P	• SCREW	2	
	AN960KD8L	• WASHER	4	
	MS21044N08	• NUT	2	
-19	269A4024-1	• FAIRLEAD	1	
	MS21044N08	• NUT	2	
	NAS602-16P	• SCREW	2	
	AN960K8L	• WASHER	4	
-20	2694009-5	• BRACKET	1	
-21	269A4009-BSC	• BRACKET	1	

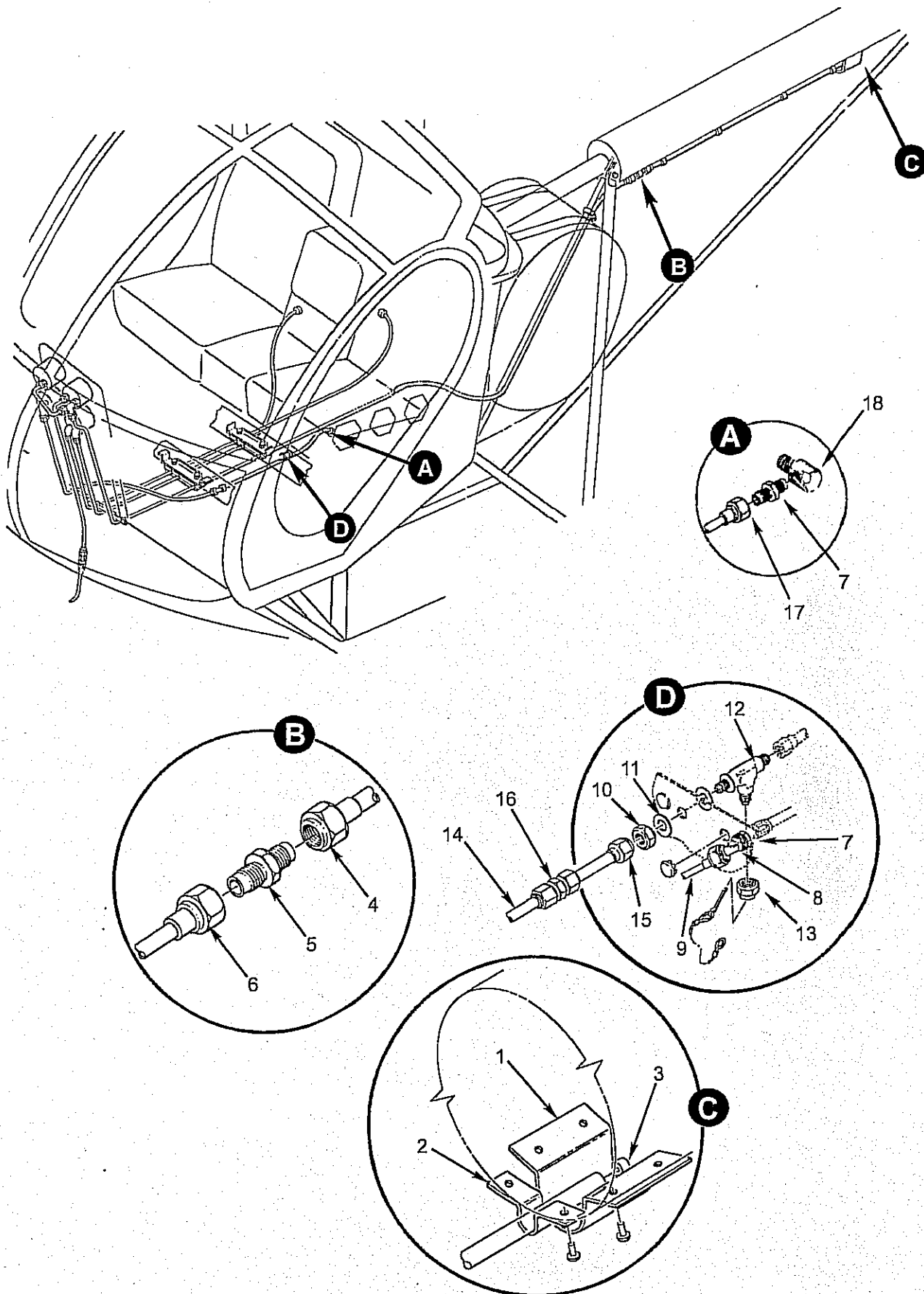


Figure 6-4. Instrument Plumbing Inst. Aft Components

FIGURE & INDEX NUMBER	PART NUMBER	DESCRIPTION	QTY PER ASSY	A/C SERIAL NUMBER AFFECTED
6-4	269A4004	INSTRUMENT PLUMBING INST. AFT COMPONENTS		
-1	269A8309-5	• COVER - STATIC PRESSURE	1	
	NAS1398D4-3	• RIVETS	4	
-2	269A8309-3	• CLIP	4	
	NAS1398D4-3	• RIVETS	8	
-3	269A8309-11	• PLUG-STATIC AIR	1	
-4	269A8328-21	• TUBE ASSY - STATIC AIR.	1	
-5	269A8310	• FITTING-STATIC AIR	1	
-6	269A8328-45	• TUBE ASSY - STATIC AIR.	1	
-7	269A8308-3	• FITTING, MANIFOLD PRESSURE	1	
-8	AN837-4D	• ELBOW	1	
	AN924-4	• NUT	1	
	AN960KD716L	• WASHER	1	
	AN960KD716	• WASHER	1	
-9	269A8328-83	• TUBE ASSY - MANIFOLD PRESS	1	
-10	AN924-4D	• NUT	1	
-11	AN960KD716L	• WASHER	2	
-12	AM804D4	• TEE	1	
-13	AN929A4	• CAP	1	
-14	269A8328-55	• TUBE ASSY - STATIC AIR.	1	
-15	269A8328-59	• TUBE ASSY - STATIC AIR.	1	
-16	269A8310	• FITTING.	1	
-17	269A8327-23	• TUBE ASSY, MANIFOLD PRESSURE	1	
-18	44701	• ADAPTER, MANIFOLD PRESSURE	1	

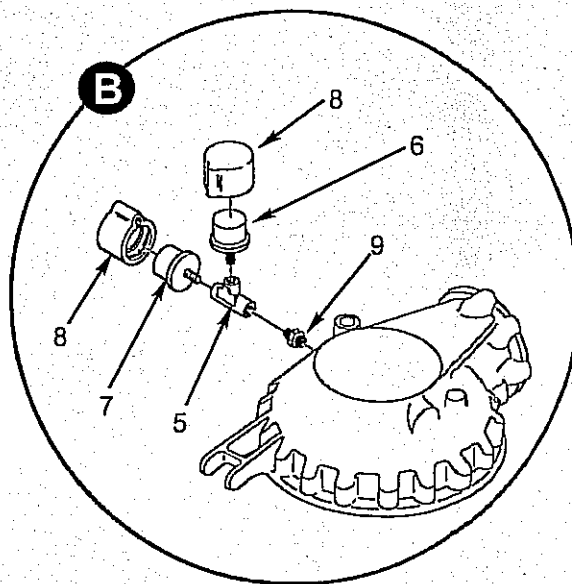
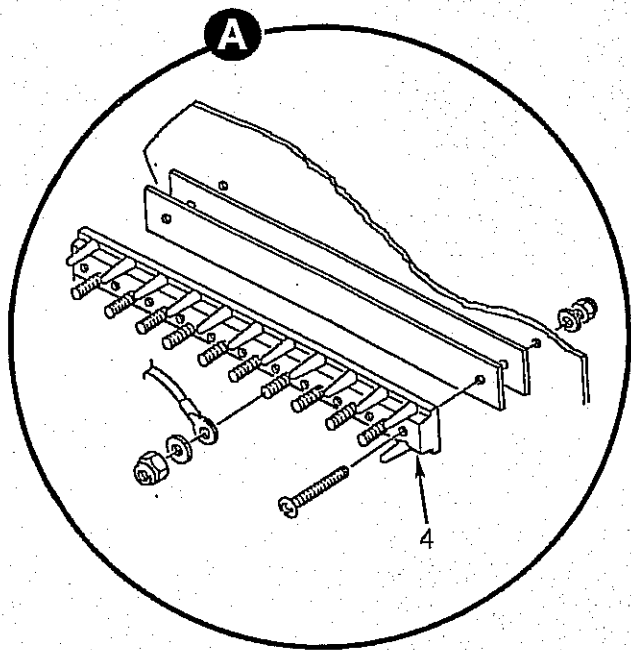
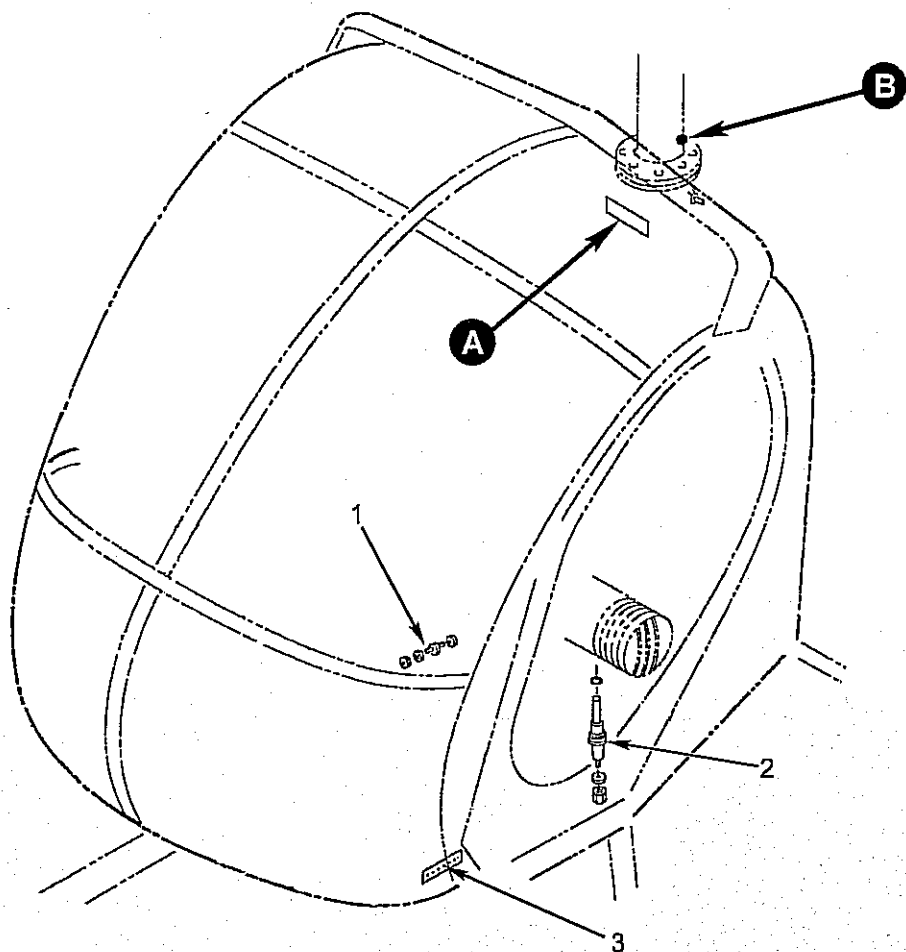


Figure 6-5. Electrical Equipment Installation, 24 Volts

FIGURE & INDEX NUMBER	PART NUMBER	DESCRIPTION	QTY PER ASSY	A/C SERIAL NUMBER AFFECTED
6-5	269A4004	ELECTRICAL EQUIP. INSTL., 24 VOLTS		
-1	3080-00037	• ENG. OIL TEMP SENDER	1	
-2	3080-00038	• CYL HEAD TEMP SENDER	1	
-3	MS27212-1-6	• TERMINAL BOARD	1	
	NAS1063A10-1	• INSULATOR STRIP	1	
	STD957D-6	• COVER ASSY	1	
-4	MS27212-1-8	• TERMINAL STRIP	1	
	MS25227-1	• STRIP	1	
	NAS1063A10-1	• STRIP	1	
-5	AN917-1D	• FITTING	1	
-6	269A4789-3	• SWITCH-STARTER INTERLOCK	1	
-7	269A4576	• GEAR BOX OIL PRESS. SWITCH	1	
-8	269A4037	• PRESS. SWITCH BOOT	2	
-9	AN911-1D	• FITTING	1	

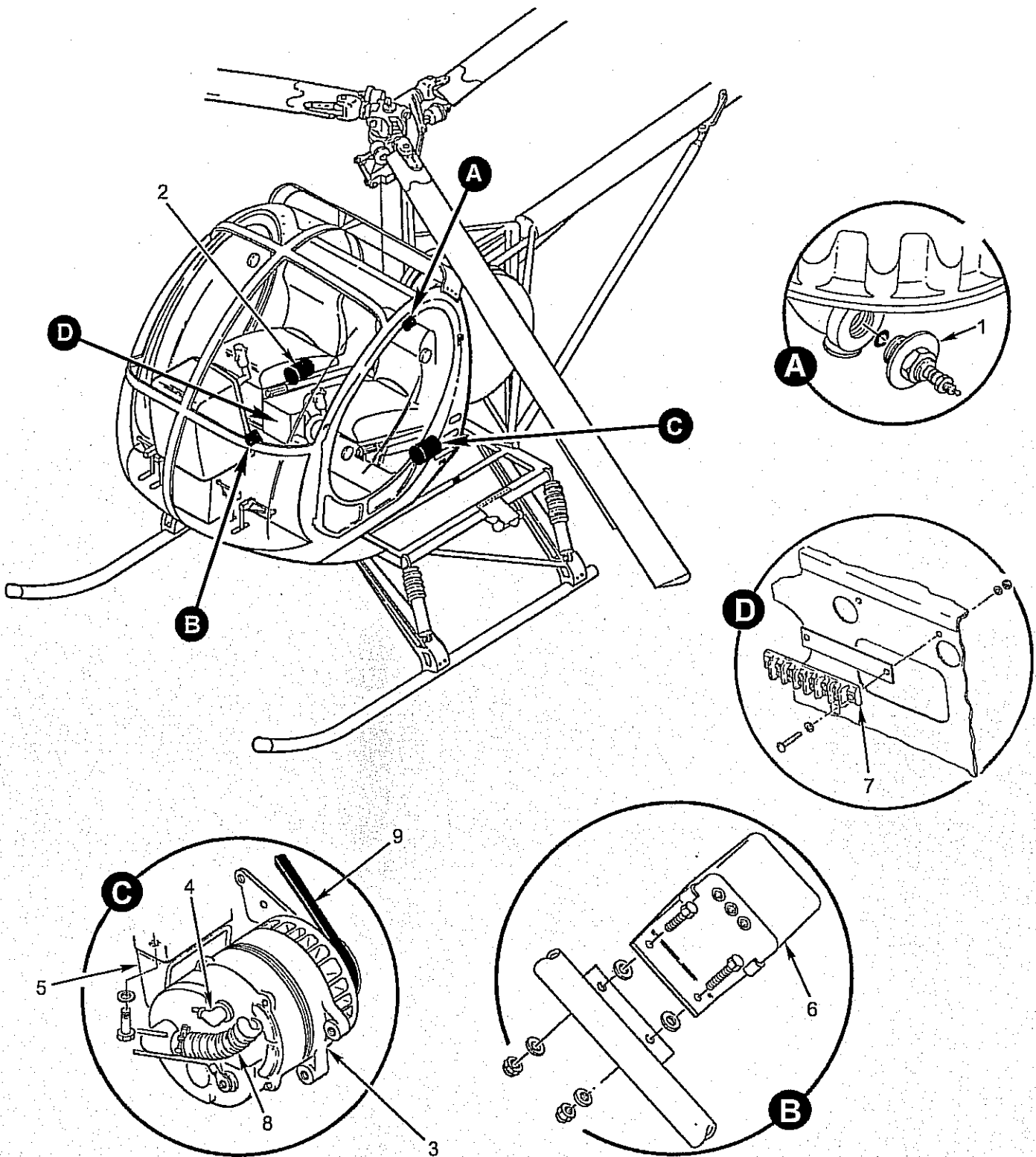


Figure 6-6. Electrical Installation Components

FIGURE & INDEX NUMBER	PART NUMBER	DESCRIPTION	QTY PER ASSY	A/C SERIAL NUMBER AFFECTED
6-6	269A4004	ELECTRICAL INSTALLATION COMPONENTS		
-1	269A4611	• GEARBOX OIL TEMP SWITCH	1	
-2	MHB-4016	• STARTER ASSY	1	
-3	ALU8421LS	• ALTERNATOR (70 AMP)	1	
-4	269A4682-1	• NIPPLE	2	
	269A4682-2	• NIPPLE (ALT. MS25171-2S)	1	
-5	LW10382	• ALTERNATOR BRACKET	1	
-6	269A4623-11	• STARTER VIBRATOR (RB 269A4626-15).	1	0001-0066 0070-0075
	269A4623-15	• SLICKSTART (USE WITH SLICK MAGNETOS ONLY).	1	0067-0069 0076 & Subs.
	AN3-4A	• BOLT (ALT. NAS1303-2)	2	
	AN960KD10	• WASHER	4	
	MS21042-3	• NUT	2	
-7	11-141	• TERMINAL BLOCK	1	
	MS11-141	• MARKER STRIP	1	
-8	269A8517	• ALTERNATOR COOLING TUBE	1	
-9	37A19773-376	• ALTERNATOR BELT.	1	

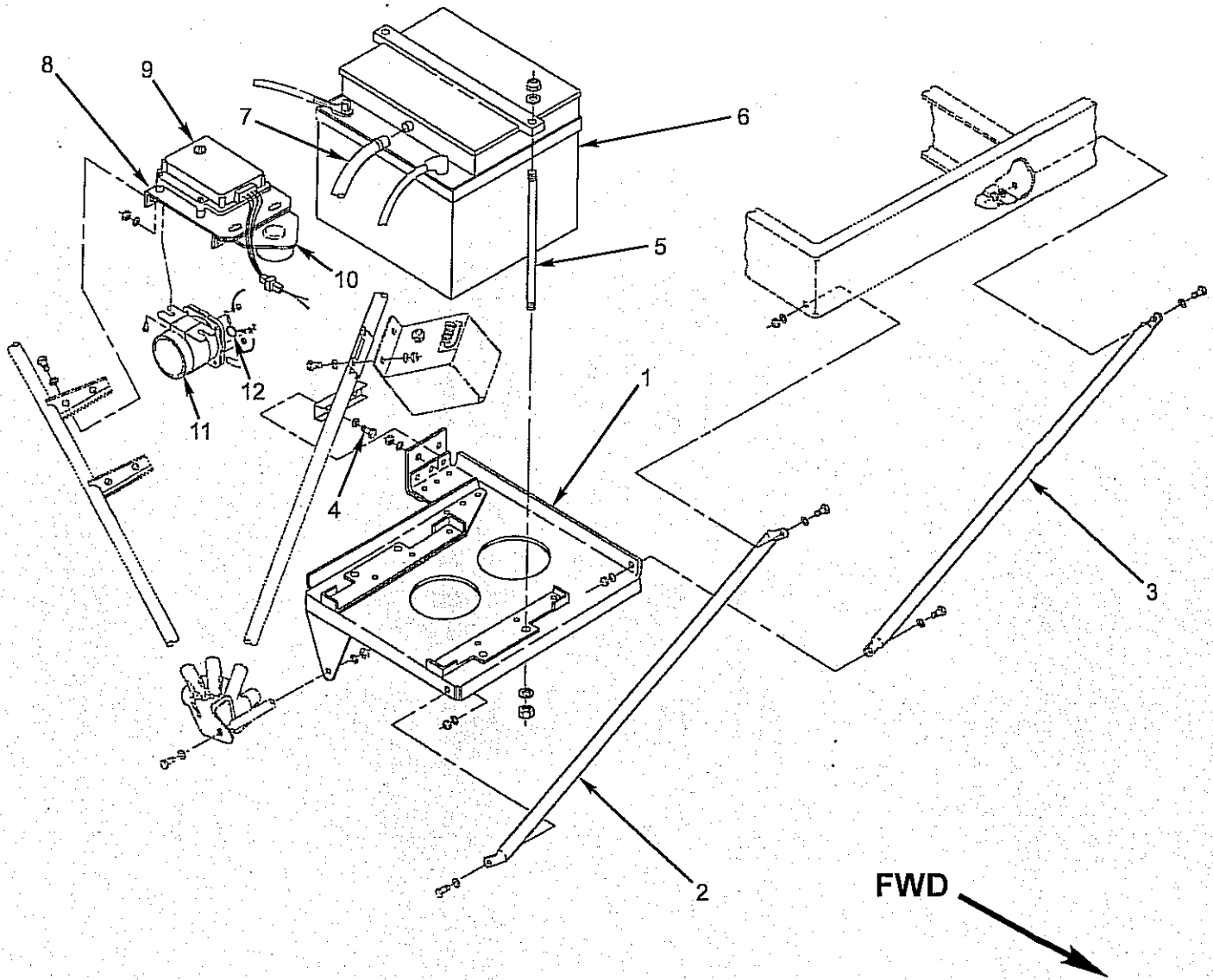


Figure 6-7. Battery/Electrical Equipment Tray Installation

FIGURE & INDEX NUMBER	PART NUMBER	DESCRIPTION	QTY PER ASSY	A/C SERIAL NUMBER AFFECTED
6-7	269A4445 269A4198	BATTERY/ELECTRICAL EQUIPMENT TRAY INSTALLATION		
-1	269A4446-3	• TRAY ASSY	1	0001
	269A4446-1	• TRAY ASSY	1	0002 & Subs.
-2	269A4447-3	• TUBE	1	
	NAS603-10	• SCREW	1	
	AN960KD10	• WASHER	4	
	MS21043C3	• NUT	2	
	NAS1303-3	• BOLT	1	
-3	269A4447-1	• TUBE	1	
	NAS1304-1	• BOLT	1	
	AN960KD416	• WASHER	2	
	MS21043C4	• NUT	1	
	NAS1303-3	• BOLT	1	
	AN960KD10	• WASHER	2	
	MS21043C3	• NUT	1	
-4	NAS1304-3	• BOLT	2	
	AN960KD416	• WASHER	2	
	MS21083N4	• NUT	2	
-5	269A4524	• STUD	2	
	AN960XC10	• WASHER	6	
	MS21043C3	• NUT	6	
-6	269A4508	• BATTERY	1	
-7	269A4445-5	• TUBE	1	
	MS3367-1	• STRAP	1	
-8	269A4197-1	• TRAY ASSY	1	
	NAS1303-2	• BOLT	4	
	AN960KD10L	• WASHER	8	
	MS21042L3	• NUT	4	
-9	269A4985-5	• ALTERNATOR CONTROL UNIT	1	
	AN525-10R24	• SCREW (ALT NAS1303-18)	4	
	AN960KD10L	• WASHER	8	
	NAS43HT-3-32	• BUSHING	4	
-10	SAZ-4401	• RELAY	1	
	NAS1303-2	• BOLT	2	
	AN960KD10L	• WASHER	2	
-11	586-905/114111	• BATTERY RELAY (RB 586-15)	1	
	586-15	• BATTERY RELAY	1	
	NAS1303-2	• BOLT	2	
	AN960KD10L	• WASHER	2	
-12	V47ZA7	• VARISTOR	1	

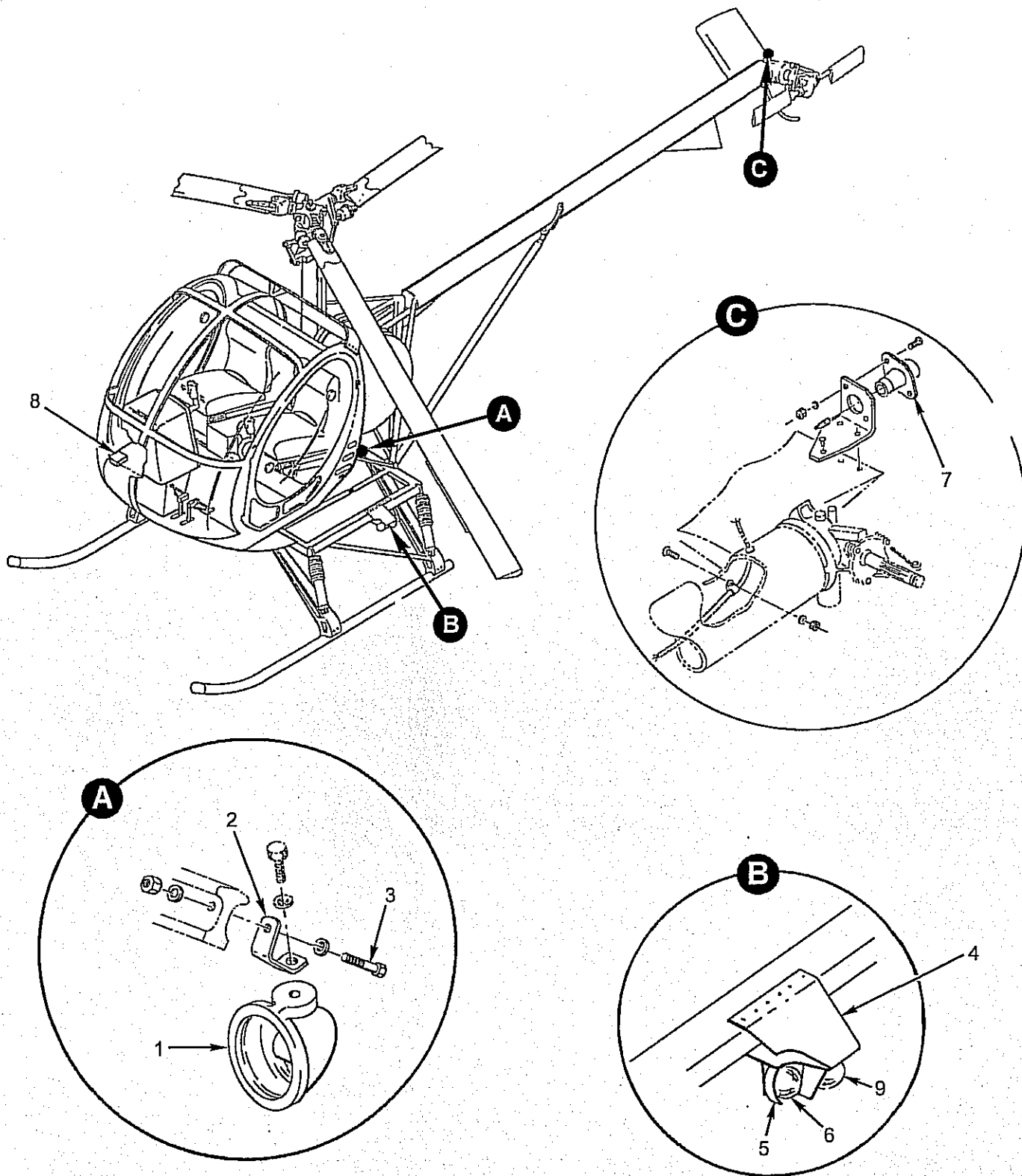


Figure 6-8. Night Flying Light Installation

FIGURE & INDEX NUMBER	PART NUMBER	DESCRIPTION	QTY PER ASSY	A/C SERIAL NUMBER AFFECTED
6-8	269A4443	NIGHT FLYING LIGHT INST.		
-1	269A4662 #4553	• LIGHT	1	
		• LAMP	1	
-2	269A4916-3	• BRACKET	1	
	HS306-327	• WASHER	1	
-3	AN5-6A	• BOLT	1	
	AN960KD516.	• WASHER	2	
	MS20365-524	• NUT	1	
-4	269A4442-1	• BRACKET-LH	1	
	269A4442-2	• BRACKET-RH	1	
	269A4442-3	• BRACKET-LH	1	
	269A4442-4	• BRACKET-RH	1	
-5	269A4442-7	• SHIELD - LH	1	
	269A4442-8	• SHIELD - RH	1	
	NAS1096-2-7	• SCREW	4	
	AN960-8	• WASHER	4	
-6	A650-PG-D-R/28	• POSITION/STROBE LIGHT - LH.	1	
	W1290-2B	• • LAMP	1	
	A650-PR-D-R/28	• POSITION/STROBE LIGHT - RH	1	
	W1290-28	• • LAMP	1	
-7	269A4436-1	• TAIL LIGHT ASSY	1	
	A508	• • LAMP	1	
-8	A413-HDA-CF-14/28	• STROB POWER SUPPLY	1	
-9	A610	• LAMP, STROBE	2	

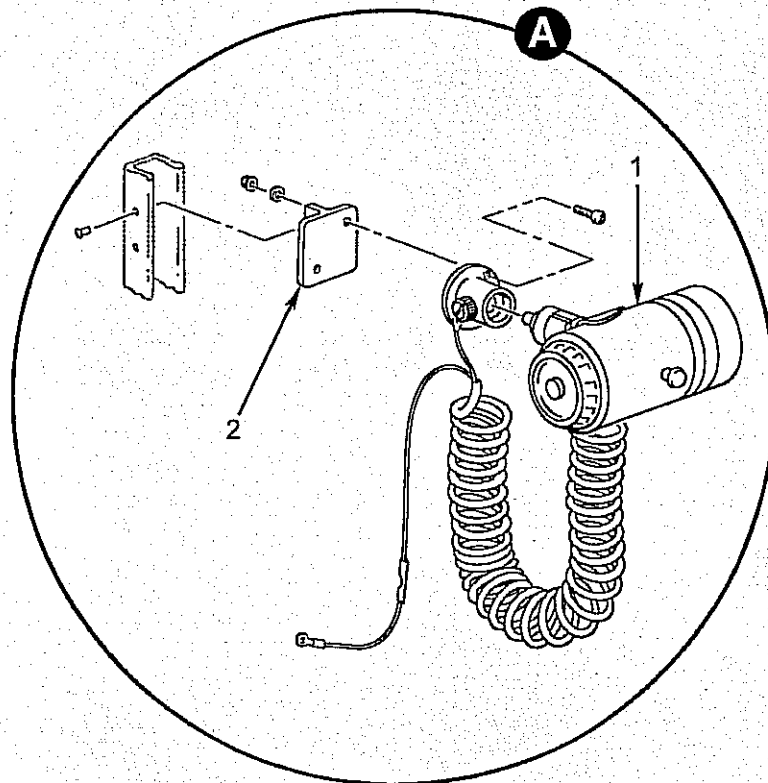
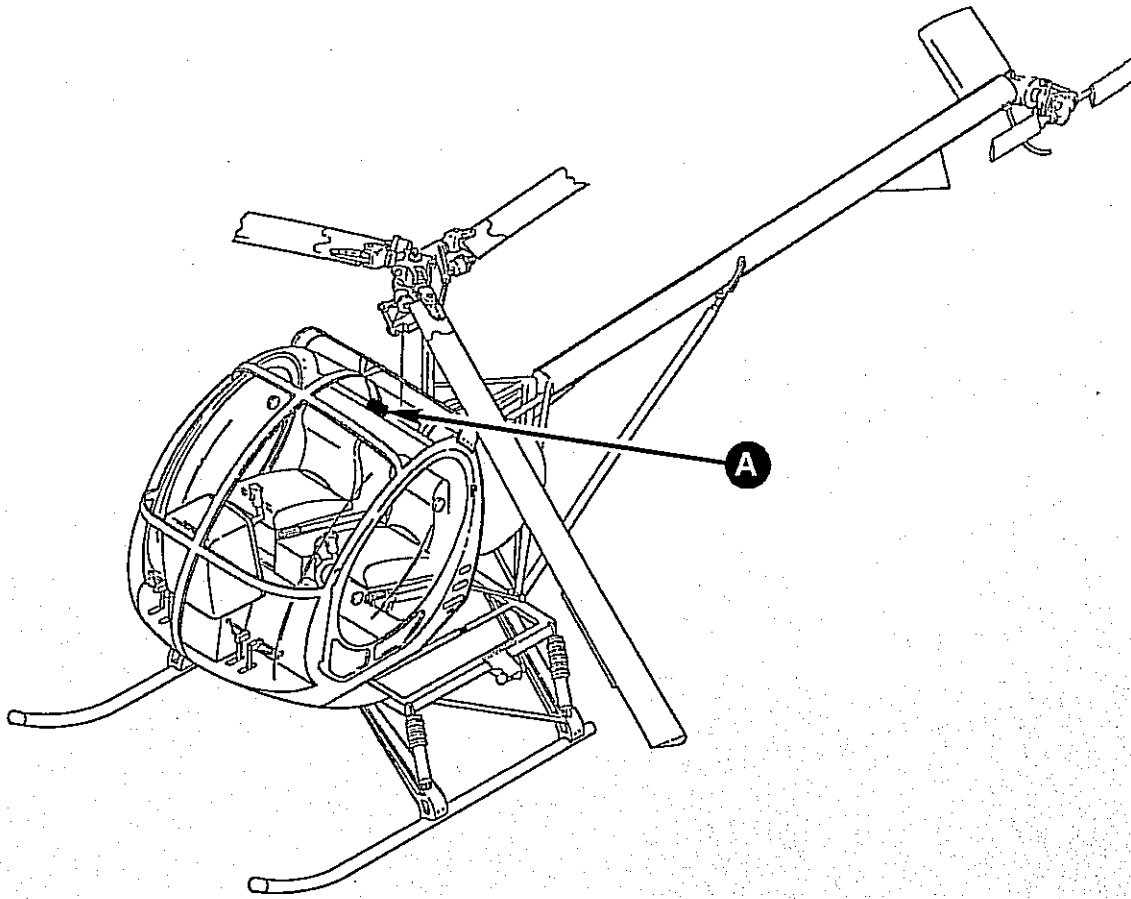


Figure 6-9. Utility Light Installation

FIGURE & INDEX NUMBER	PART NUMBER	DESCRIPTION	QTY PER ASSY	A/C SERIAL NUMBER AFFECTED
6-9	269A4191	UTILITY LIGHT INST.		
-1	S1210BAABC	• LIGHT ASSY	1	
-2	269A4193	• BRACKET	1	
	NAS601-8	• SCREW	2	
	AN960KD6L	• WASHER	2	
	MS21042	• NUT	2	

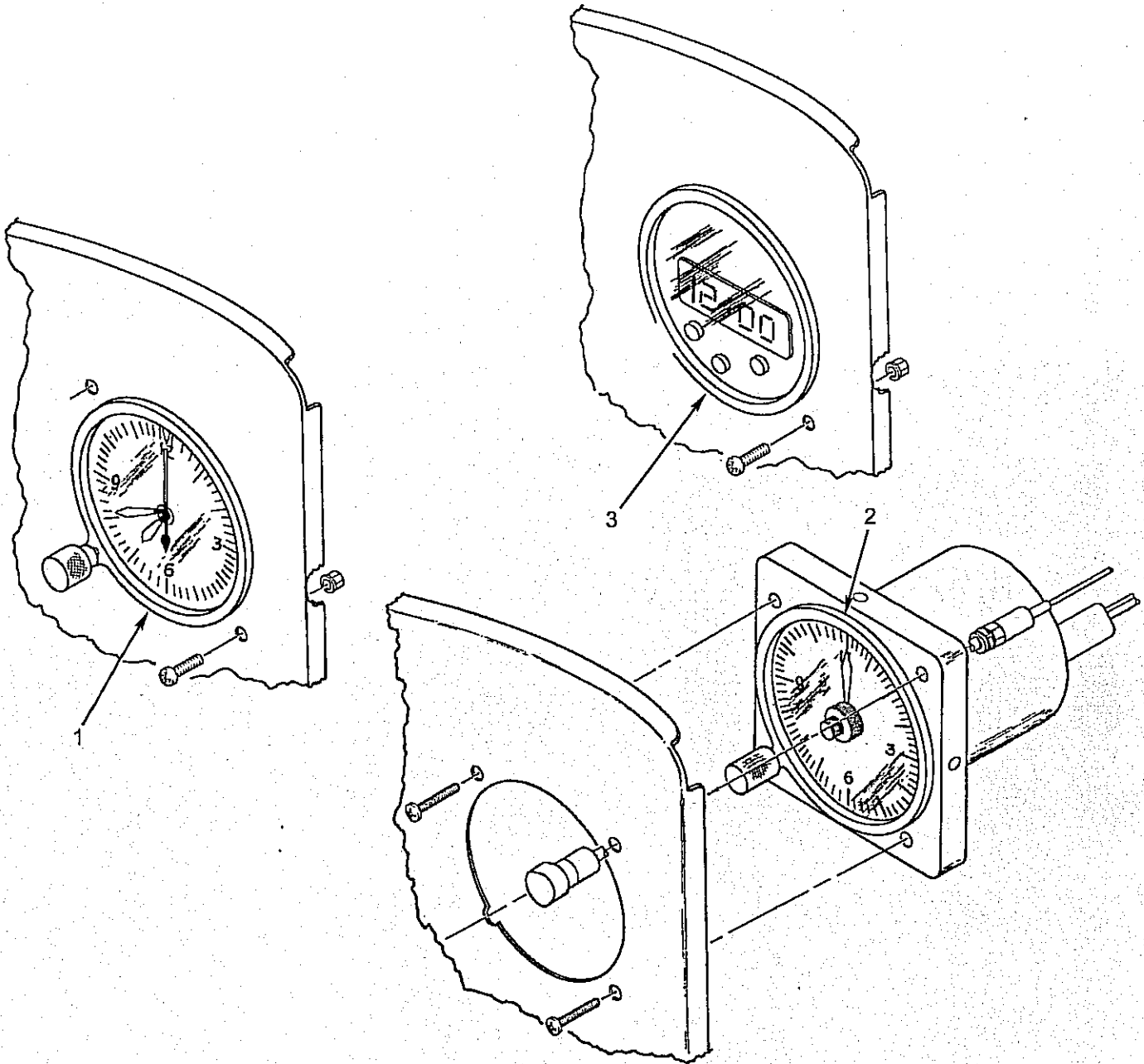


Figure 6-10. Clock Installation

FIGURE & INDEX NUMBER	PART NUMBER	DESCRIPTION	QTY PER ASSY	A/C SERIAL NUMBER AFFECTED
6-10	269A4991 269A4948	CLOCK INST.		
-1	CA-7264-24V MS35214-31	• CLOCK	1 AR	
-2	5952-8ND-R28 AN5743-2	• SCREW • BOLT LIGHT	1 1	
-3	CCK602/191N MS35214-28	• CLOCK • CLOCK-TIME ELAPSED	1 1	
-3	5952-8ND-R28 LC-2 MS35214-31	• SCREW • BOLT LIGHT • CHRONOMETER • SCREW	AR 1 1 AR	

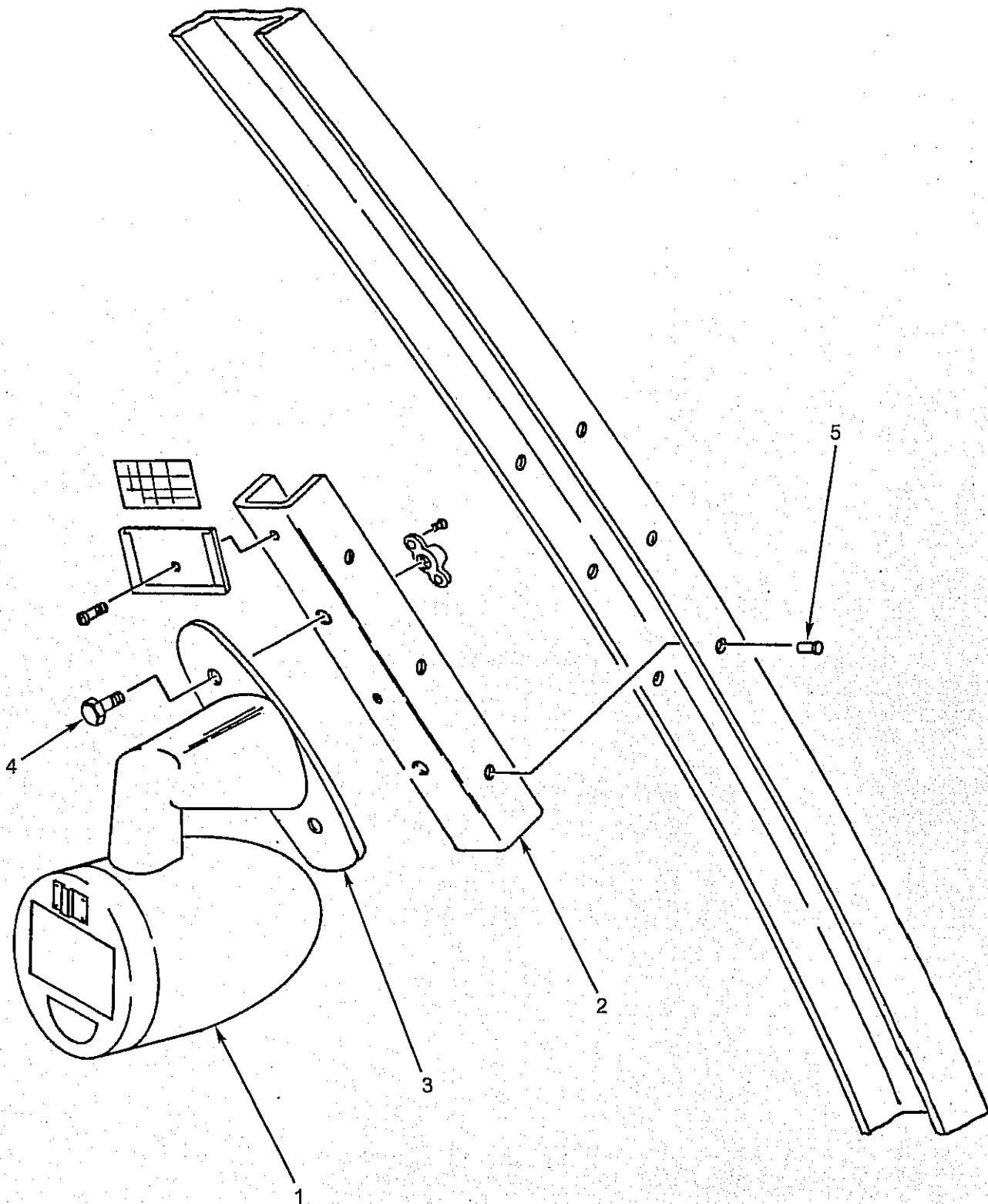


Figure 6-11. Overhead Compass Installation

FIGURE & INDEX NUMBER	PART NUMBER	DESCRIPTION	QTY PER ASSY	A/C SERIAL NUMBER AFFECTED
6-11	269A4336	OVERHEAD COMPASS INST		
-1	C2400L4VT-24	• COMPASS	1	
-2	269A4336-11	• BRACKET	1	
	MS21047L08	• • NUTPLATE	2	
	MS20426AD3	• • RIVET	4	
-3	269A4336-13	• SHIM	AR	
-4	NAS1096-2-9	• BOLT	2	
-5	AAPQ-52	• RIVET	6	