

SCHWEIZER MODEL 269C-1 HELICOPTER  
ILLUSTRATED PARTS CATALOG

SECTION 2

FUSELAGE STRUCTURE AND COMPONENTS

This page is intentionally left blank.

## SECTION 2 TABLE OF CONTENTS

FIGURE	TITLE	PAGE
2-1	FUSELAGE STRUCTURE - FORWARD COMPONENTS . . . . .	2-4
2-2	FUSELAGE STRUT & FRAME INSTALLATION. . . . .	2-6
2-3	CANOPY ASSEMBLY . . . . .	2-10
2-4	DOOR ASSEMBLY . . . . .	2-12
2-5	FAIRING ASSEMBLY - CENTER . . . . .	2-14
2-6	SIDE FAIRING ASSEMBLY (S/N 0001-0050). . . . .	2-20
2-7	SIDE FAIRING ASSEMBLY (S/N 0051 & Subs.) . . . . .	2-22
2-8	LANDING GEAR ASSEMBLY . . . . .	2-24
2-9	LANDING GEAR SKID & STRUT ASSEMBLY . . . . .	2-26
2-10	DAMPER ASSEMBLY . . . . .	2-30
2-11	TAIL BOOM ASSEMBLY. . . . .	2-32
2-12	HORIZONTAL STABILIZER ASSEMBLY . . . . .	2-34
2-13	SEAT STRUCTURE . . . . .	2-36

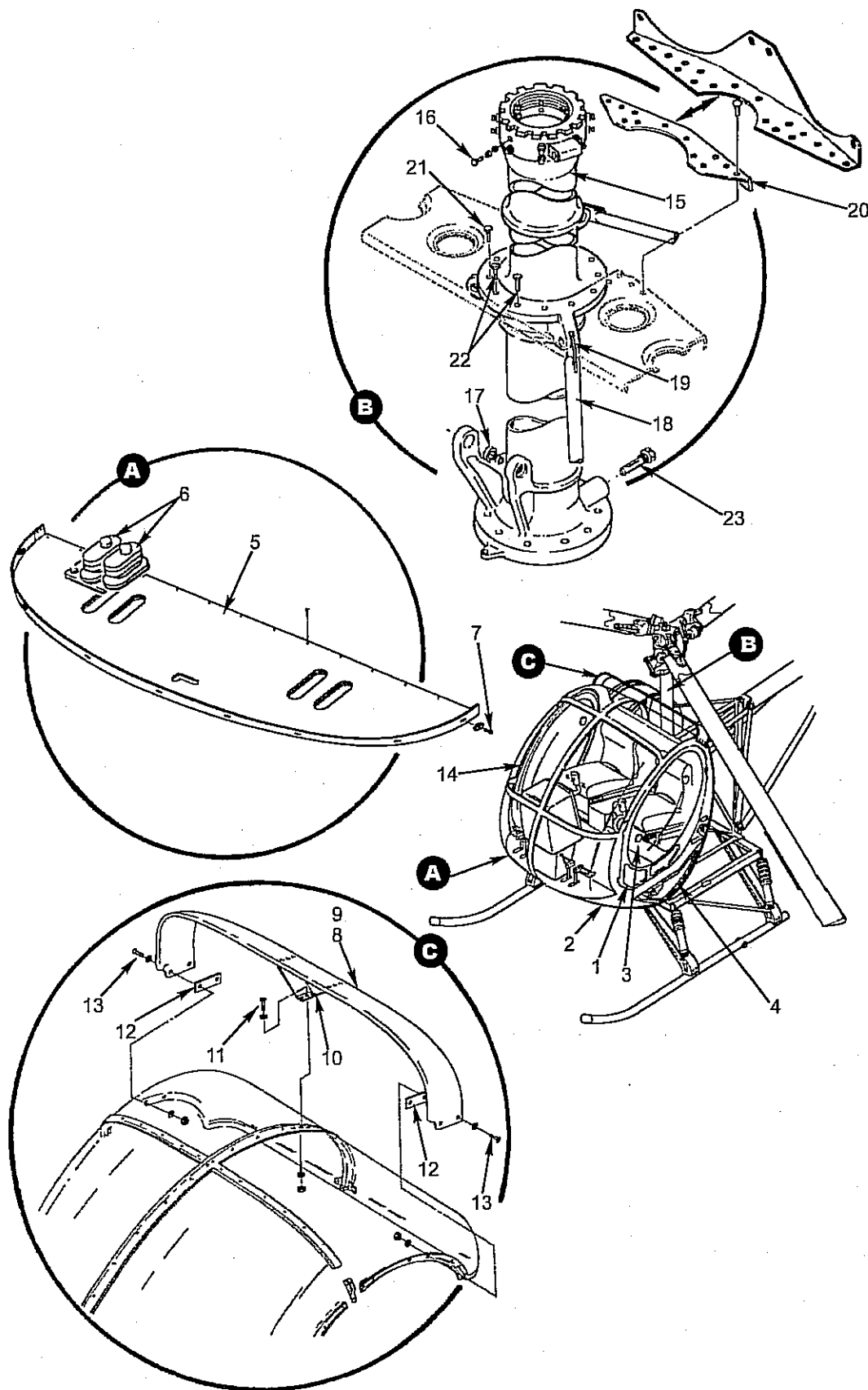


Figure 2-1. Fuselage Structure - Forward Components

FIGURE & INDEX NUMBER	PART NUMBER	DESCRIPTION	QTY PER ASSY	A/C SERIAL NUMBER AFFECTED
2-1	269A2003	FUSELAGE STRUCTURE - FORWARD COMPONENTS		
-1	269A2346-5	• DOOR ASSY-LH (See Fig 2-4 for BKDN)	REF	
	269A2346-8	• DOOR ASSY-RH (See Fig 2-4 for BKDN)	REF	
-2	269A2329-3	• FAIRING ASSY (See Fig 2-5 for BKDN)	REF	
-3	269A9900-15	• SEAT STRUCTURE ASSY-CABIN	1	
-4	269A2230-17	• DOOR FRAME-FUSELAGE SIDE	2	
-5	269A9926-27	• PANEL ASSY	1	
-6	269A4030-3	• BOOT	4	
-7	SFSW10F12D-G01WH	• SCREW	8	
-8	269A2345-3	• SLAT ASSY	1	
-9	269A2345-5	• • SLAT	1	
-10	269A2345-17	• • "V" BRACKET	1	
	MS20470AD5	• • RIVET (ALT MS20426AD6)	6	
-11	NAS602-10P	• SCREW	3	
	AN960KD8	• WASHER	6	
	MS21042-08	• NUT	3	
-12	269A2345-9	• FILLER BLOCK	2	
-13	NAS602-16P	• SCREW	2	
	AN960KD8	• WASHER	4	
	MS21042-8	• NUT	2	
-14	269A2275-35	• CANOPY INSTL (See Fig 2-3 for BKDN)	REF	
-15	269A2010-5	• MAST ASSY (RB 269A2010-15)	1	
	269A2010-15	• MAST ASSY	1	
-16	HL19PB-6-7	• • PIN	19	
	HL63PB-6-7	• • PIN (OVERSIZE)	AR	
	HL96-6	• • COLLAR (ALT MS21042-3 Nut)	19	
	NAS620-10L	• • WASHER	19	
-17	269A5050-22	• • BEARING	1	
-18	269A2170	• TUBE ASSY-LH	1	
	269A2171	• TUBE ASSY-RH	1	
	269A2172-5	• TUBE ASSY-CENTER AFT	1	
-19	NAS1304-17	• BOLT	3	
	HS626-4-500	• BUSHING	3	
	AN960KD416	• WASHER	6	
	MS21042-4	• NUT	3	
-20	269A2291	• DOUBLER	1	0001-0120
	269A9884-1	• DOUBLER	1	0121 & Subs.
	MS20470AD4	• RIVET	14	
-21	NAS1738B5	• RIVET	12	
-22	NAS1738B5	• RIVET (NAS1402-6 BOLTS, MS21042-08 NUTS & AN960DK08 WASHERS [2 each] may be used as alternates)	2	
-23	269A5011	• OIL JET	1	
	AN6290-3	• PACKING	1	

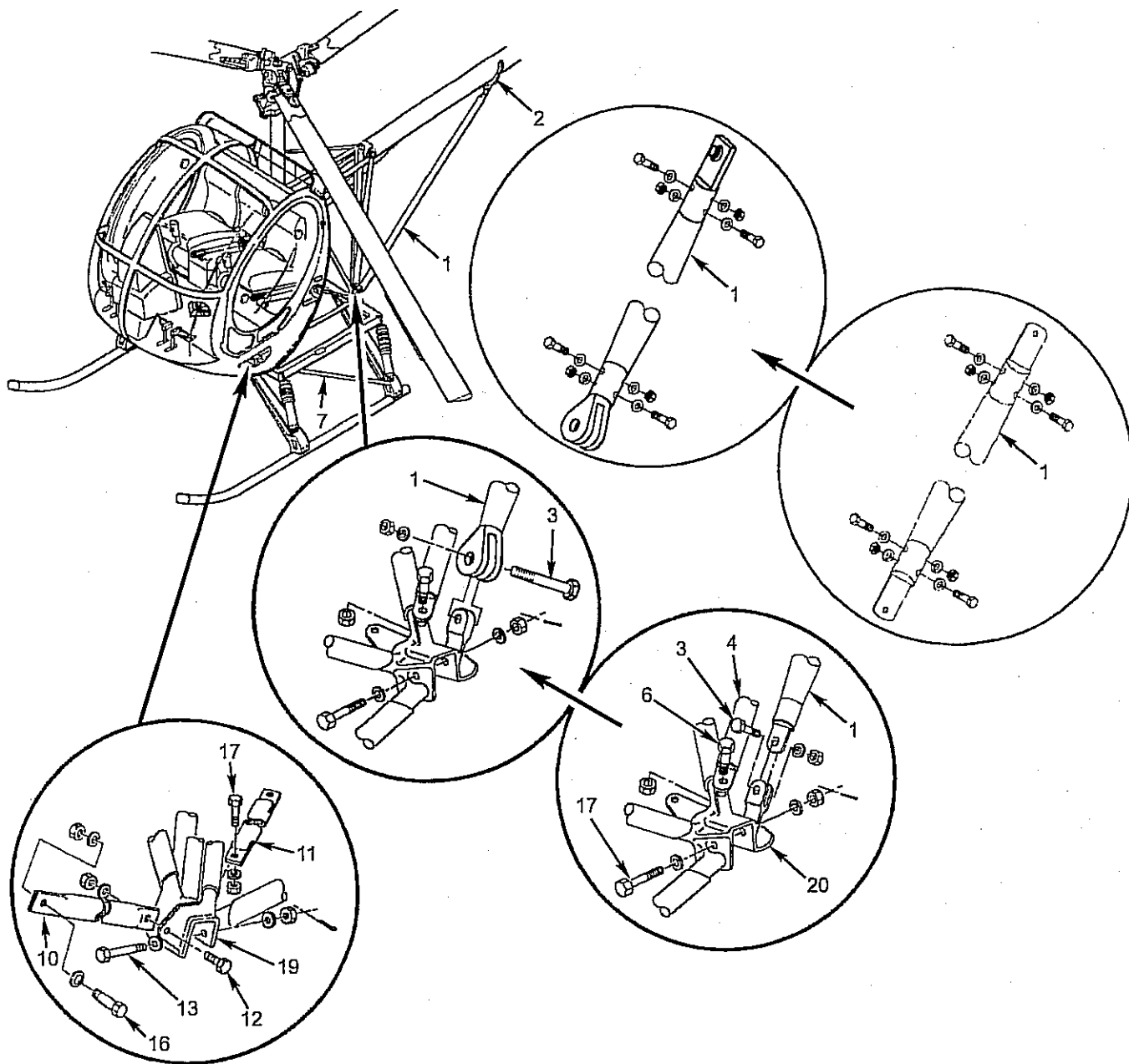


Figure 2-2. Fuselage Strut and Frame Installation (Sheet 1 of 2)

FIGURE & INDEX NUMBER	PART NUMBER	DESCRIPTION	QTY PER ASSY	A/C SERIAL NUMBER AFFECTED
2-2	269A2003	FUSELAGE STRUT AND FRAME INSTALLATION		
-1	269A2015-11	• STRUT ASSY . . . . .	1	0001-0020, 0022, 0023, 0026, 0029
	269A2015-7	• • TUBE . . . . .	1	
	269A2017-3	• • FITTING, BOOM END . . . . .	1	
	269A2017-5	• • FITTING, FRAME END . . . . .	1	
	NAS1304-19	• • BOLT (RB NAS1304-20) . . . . .	4	
	AN960KD416	• • WASHER . . . . .	8	
	AN960C416	• • WASHER . . . . .	4	
	MS21042-4	• • NUT . . . . .	4	
	269A2015-15	• STRUT ASSY . . . . .	2	0021, 0024, 0025, 0027, 0028, 0030-0044, 0049
	269A2015-7	• • TUBE . . . . .	1	
	269A2017-5	• • FITTING . . . . .	2	
	NAS1304-19	• • BOLT (RB NAS1304-20) . . . . .	4	
	AN960KD416	• • WASHER . . . . .	8	
	AN960C416	• • WASHER . . . . .	4	
	MS21042-4	• • NUT . . . . .	4	
	269A2015-13	• STRUT ASSY . . . . .	2	0045-0048, 0050-0155, 0157
	269A2015-7	• • TUBE . . . . .	1	
	269A2017-5	• • FITTING, FRAME END . . . . .	1	
	269A2025-1	• • FITTING, BOOM END . . . . .	1	
	NAS1304-20	• • BOLT . . . . .	4	
	AN960KD416	• • WASHER . . . . .	8	
	AN960C416	• • WASHER . . . . .	4	
	MS21042-4	• • NUT . . . . .	4	
	269A2015-113	• STRUT ASSY . . . . .	1	0156, 0158 & Subs.
	269A2015-7	• • TUBE . . . . .	1	
	269A2025-1	• • FITTING, BOOM END . . . . .	1	
	269A2026-3	• • FITTING, FRAME END . . . . .	1	
	NAS1304-20	• • BOLT . . . . .	4	
	AN960KD416	• • WASHER . . . . .	8	
	AN960C416	• • WASHER . . . . .	4	
	MS21042-4	• • NUT . . . . .	4	
-2	NAS1305-23	• BOLT . . . . .	2	
	AN960KD516L	• WASHER (SHIMS) . . . . .	AR	
	AN960C516	• WASHER (SHIMS) . . . . .	AR	
	AN960KD516	• WASHER . . . . .	2	
	AN960C516L	• WASHER (SHIMS) . . . . .	AR	
	MS21042-5	• NUT . . . . .	2	
-3	NAS1305-7	• BOLT . . . . .	2	0001-0157
	AN960KD516	• WASHER . . . . .	2	0001-0157

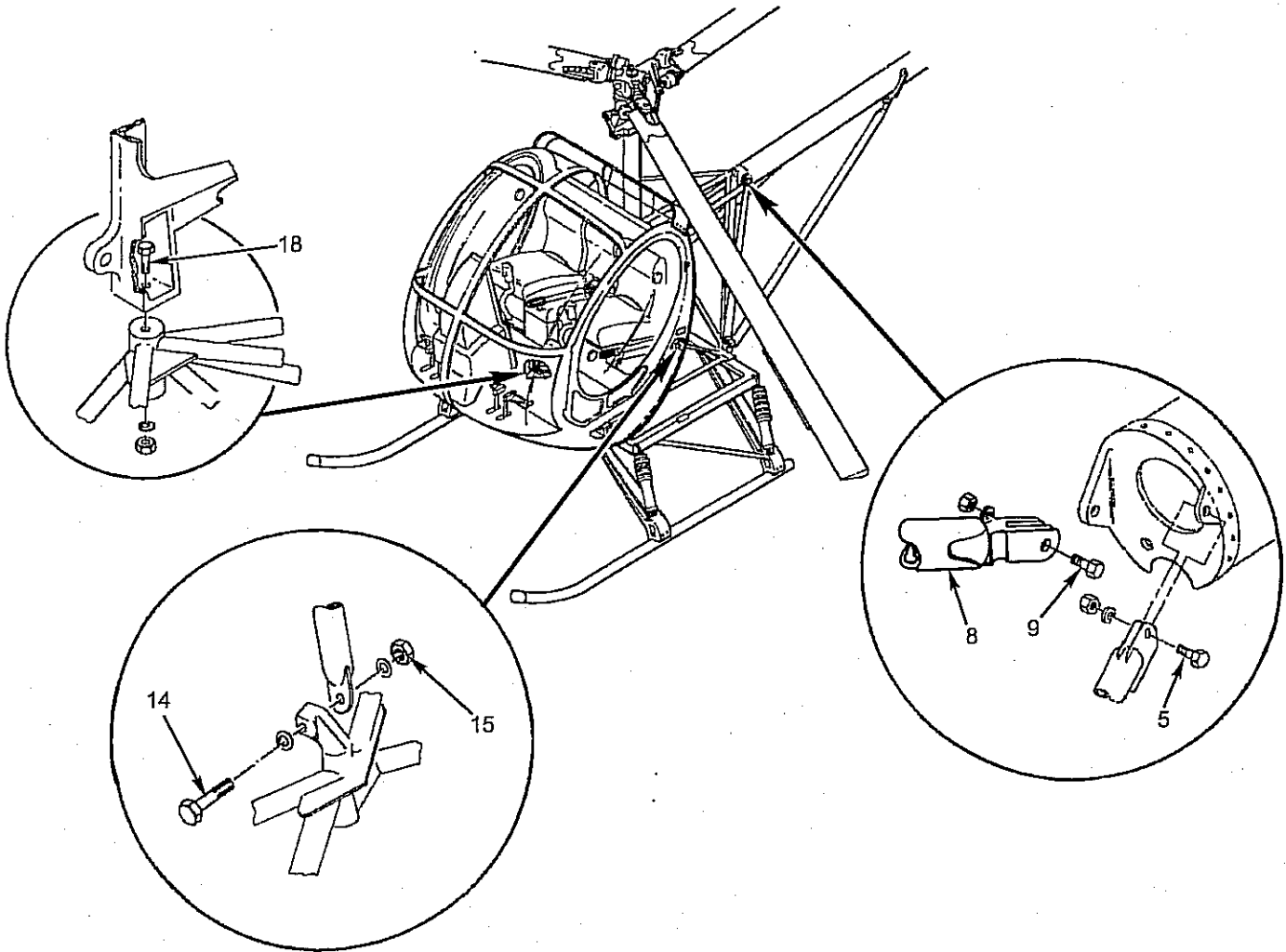


Figure 2-2. Fuselage Strut and Frame Installation (Sheet 2 of 2)



FIGURE & INDEX NUMBER	PART NUMBER	DESCRIPTION	QTY PER ASSY	A/C SERIAL NUMBER AFFECTED
2-2	269A2003	FUSELAGE STRUT AND FRAME INSTALLATION (cont)		
-3	MS21042-5	• NUT . . . . .	2	0001-0157 0158 & Subs.
	ADB221-1	• ADJUSTABLE BOLT ASSY. . . . .	2	
-4	269A2218	• STRUT ASSY . . . . .	1	
-5	NAS464P4A6	• BOLT (ALT NAS1104-6). . . . .	1	
	AN960KD416	• WASHER . . . . .	1	
	MS21042-4	• NUT . . . . .	1	
-6	AN174-12A	• BOLT (ALT NAS1304-13) . . . . .	1	
	MS21042-4	• NUT . . . . .	1	
-7	269A2230-17	• FRAME ASSY . . . . .	1	
-8	269A2172-5	• TUBE ASSY . . . . .	1	
-9	AN176-22A	• BOLT (ALT NAS1306-27) . . . . .	1	
	AN960KD616	• WASHER . . . . .	1	
	MS21042-6	• NUT . . . . .	1	
-10	269A2246-1	• STRUT ASSY LH . . . . .	1	
	269A2246-2	• STRUT ASSY RH . . . . .	1	
-11	269A2244	• STRUT ASSY . . . . .	1	
	AN174-5A	• BOLT (ALT NAS1304-3). . . . .	2	
	AN960KD416	• WASHER . . . . .	2	
	MS21042-4	• NUT . . . . .	2	
-12	AN174-6A	• BOLT (ALT NAS1303-6). . . . .	2	
	AN960KD416	• WASHER . . . . .	2	
	MS21042-4	• NUT . . . . .	2	
-13	AN174-17	• BOLT (ALT NAS1304-23D). . . . .	2	
	AN960KD416	• WASHER . . . . .	4	
	AN310-4	• NUT (ALT MS17825-4) . . . . .	2	
	MS24665-153	• COTTER PIN . . . . .	2	
-14	NAS1305-20	• BOLT . . . . .	2	
	AN960KD516L	• WASHER . . . . .	2	
-15	AN960KD516	• WASHER . . . . .	2	
	MS21042-5	• NUT . . . . .	2	
-16	AN520-10R10	• SCREW . . . . .	2	
	MS20365-1032	• NUT . . . . .	2	
	AN960KD10L	• WASHER . . . . .	4	
-17	AN174-17	• BOLT (ALT NAS1304-23D). . . . .	2	
	AN960KD416	• WASHER . . . . .	4	
	AN310-4	• NUT (ALT MS17825-4) . . . . .	2	
	MS24665-153	• COTTER PIN . . . . .	2	
-18	MS20365-428	• NUT . . . . .	1	
	AN960PD416	• WASHER . . . . .	1	
	AN174-7A	• BOLT . . . . .	1	
-19	269A2232	• CLUSTER FITTING - FWD LH SIDE . . . . .	1	
	269A2233	• CLUSTER FITTING - FWD RH SIDE . . . . .	1	
-20	269A2234-3	• CLUSTER FITTING - AFT LH SIDE (RB 269A2234-5). . . . .	1	0001-0155, 0157 0158 & Subs. 0001-0155, 0157 0158 & Subs.
	269A2234-5	• CLUSTER FITTING - AFT LH SIDE . . . . .	1	
	269A2235-3	• CLUSTER FITTING - AFT RH SIDE (RB 269A2235-5). . . . .	1	
	269A2235-5	• CLUSTER FITTING - AFT RH SIDE . . . . .	1	

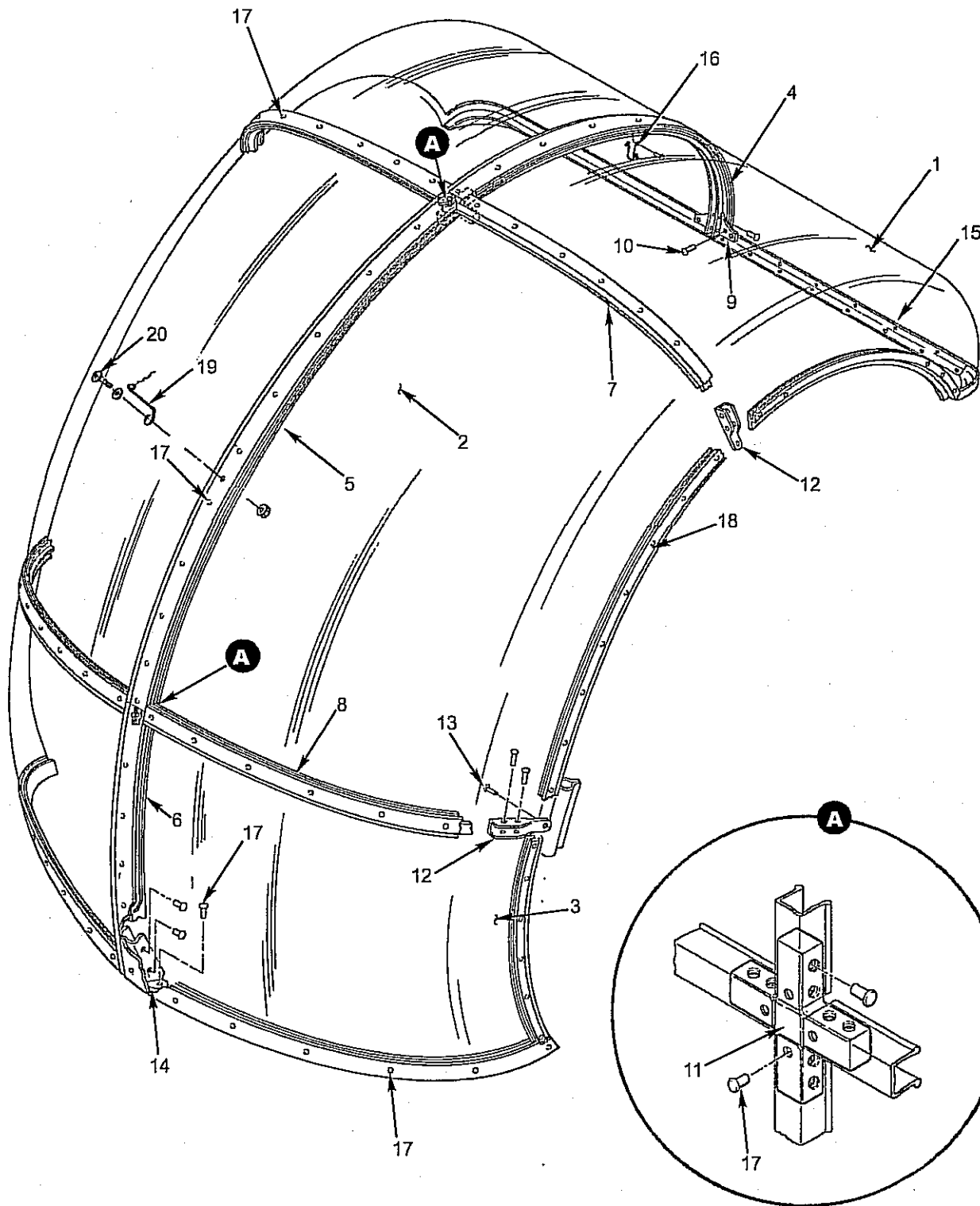


Figure 2-3. Canopy Assembly

FIGURE & INDEX NUMBER	PART NUMBER	DESCRIPTION	QTY PER ASSY	A/C SERIAL NUMBER AFFECTED
2-3	269A2275	CANOPY ASSY		
-1	269A2275-13	• UPPER WINDSHIELD ASSY-TINTED-LH . . . . .	1	
	269A2275-14	• UPPER WINDSHIELD ASSY-TINTED-RH . . . . .	1	
-2	269A2275-25	• CENTER WINDSHIELD ASSY-TINTED-LH . . . . .	1	
	269A2275-26	• CENTER WINDSHIELD ASSY-TINTED-RH . . . . .	1	
-3	269A2275-29	• LOWER WINDSHIELD ASSY-TINTED-LH . . . . .	1	
	269A2275-30	• LOWER WINDSHIELD ASSY-TINTED-RH . . . . .	1	
-4	269A2265-11	• FRAME-UPPER WINDSHIELD . . . . .	1	
-5	269A2265-9	• FRAME-CENTER WINDSHIELD . . . . .	1	
-6	269A2265-7	• FRAME-LOWER WINDSHIELD . . . . .	1	
-7	269A2265-5	• FRAME-WINDSHIELD LH . . . . .	1	
	269A2265-6	• FRAME-WINDSHIELD RH . . . . .	1	
-8	269A2265-3	• FRAME-WINDSHIELD LH . . . . .	1	
	269A2265-4	• FRAME-WINDSHIELD RH . . . . .	1	
-9	269A2271-3	• CLIP-LH . . . . .	1	
	269A2271-4	• CLIP-RH . . . . .	1	
	CR3243-4-2	• RIVET . . . . .	4	
-10	MS20470A4	• RIVET . . . . .	4	
-11	269A2264	• FITTING . . . . .	2	
-12	269A2267L	• CLIP . . . . .	4	
	CR3243-4-2	• RIVET . . . . .	16	
-13	MS20600AD4-1	• RIVET . . . . .	4	
-14	269A2168L	• CLIP . . . . .	1	
	CR3243-4-2	• RIVET . . . . .	4	
-15	269A2269-3L	• ANGLE-LH . . . . .	1	
	269A2269-4L	• ANGLE-RH . . . . .	1	
-16	269A4922-3	• CLIP-LH . . . . .	1	
	269A4922-4	• CLIP-RH . . . . .	1	
	SSD42SSBS	• RIVET . . . . .	4	
-17	AD55H	• RIVET-POP-BLACK ANODIZED . . . . .	82	
-18	AD53H	• RIVET-POP-BLACK ANODIZED . . . . .	56	
-19	269A2423-3	• SPRING, YARN (Locally Purchase Polyester Yarn) . . . . .	1	
-20	NAS602-10P	• SCREW . . . . .	1	
	AN960KD8L	• WASHER . . . . .	1	
	MS21042-08	• NUT . . . . .	1	

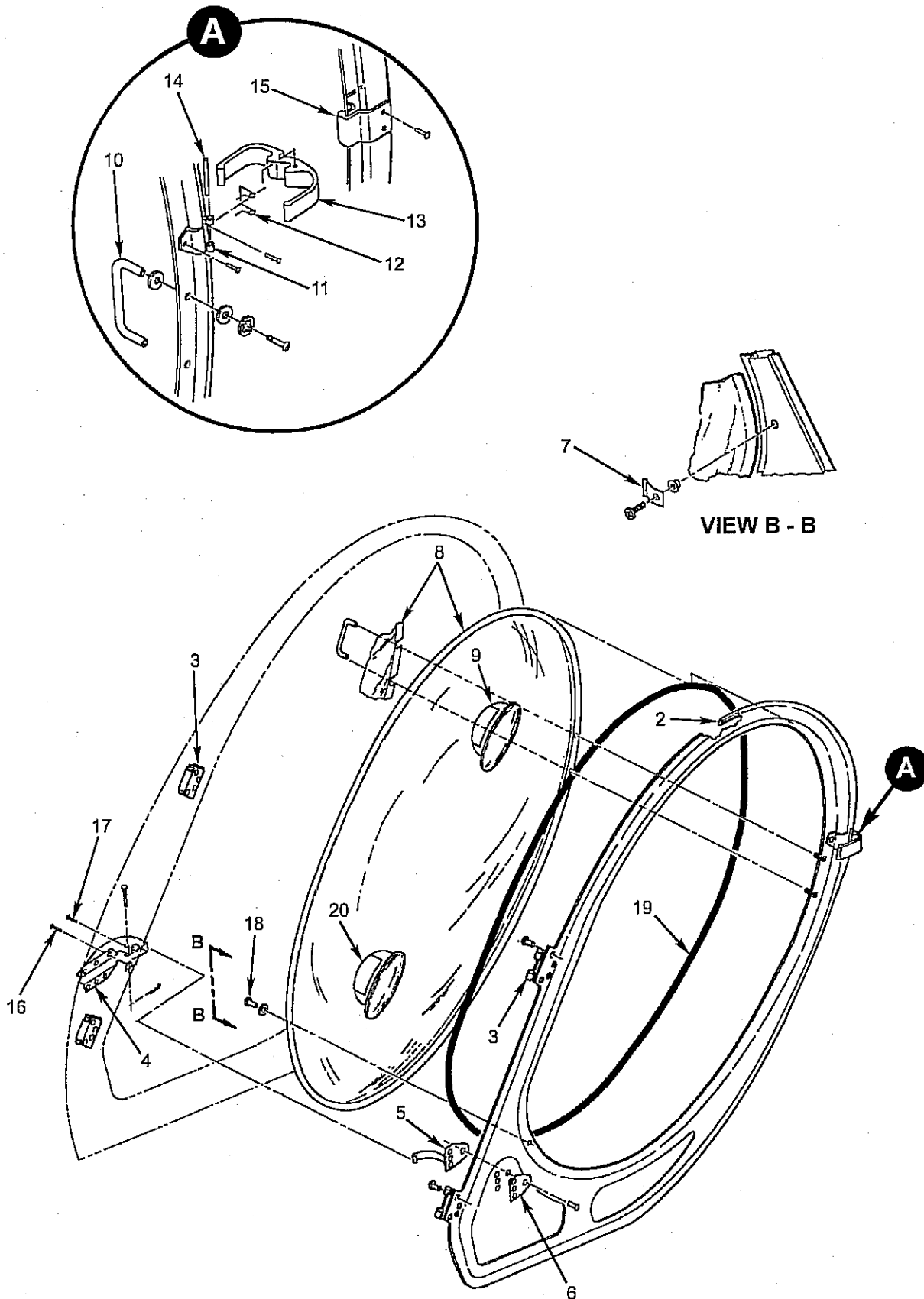


Figure 2-4. Door Assembly

FIGURE & INDEX NUMBER	PART NUMBER	DESCRIPTION	QTY PER ASSY	A/C SERIAL NUMBER AFFECTED
2-4	269A2346	DOOR ASSY AND INSTALLATION		
-1	269A2346-1	• DOOR ASSY - LH (For spares order 269A2346-801)	1	
	269A2346-801	• DOOR ASSY - LH.	1	
	269A2346-10	• DOOR ASSY - RH (For spares order 269A2346-810)	1	
	269A2346-810	• DOOR ASSY - RH	1	
-2	269A2090-903	• • DOOR SEAL.	1	
-3	269A4755-11	• • HINGE - CABIN.	2	
	MS20426AD4	• • • RIVET	8	
	269A4755-13	• • HINGE - DOOR.	2	
	MS20470AD4	• • • RIVET	4	
-4	269A2277-3	• • HOUSING - LEFT HAND.	1	
	269A2277-4	• • HOUSING - RIGHT HAND	1	
	MS20390-1C31	• • • PIN	1	
	AN381-2-5	• • • COTTER PIN (ALT MS24665-1010).	1	
-5	269A2311-3	• • STOP	1	
-6	269A2312	• • PLATE.	1	
	MS20470AD4	• • RIVET.	4	
-7	269A2337-133	• • CLIP	5	0001-0089
	AKS7-832-80L	• • INSERT	5	0001-0089
	NAS602-8P	• • SCREW	5	0001-0089
-8	269A2804-41	• • DOOR GLASS-CLEAR - LH (RB SA-269K-068-01 Kit)	1	0001-0089
	269A2804-43	• • DOOR GLASS-CLEAR - LH.	1	0090 & Subs.
	269A2804-42	• • DOOR GLASS-CLEAR - RH (RB SA-269K-068-02 Kit)	1	0001-0089
	269A2804-44	• • DOOR GLASS-CLEAR - RH	1	0090 & Subs.
-9	269A4681	• • • AIR VENT (Use with 269A2804-43 & 44)	2	0001-0089
	CC3251	• • • AIR VENT (Use with 269A2804-41 & 42)	2	0090 & Subs.
-10	269A2294	• • HANDLE	1	
	AN960-8L	• • WASHER	4	
	PK8-32	• • SCREW	2	
	AN936A8	• • WASHER	2	
-11	269A2293	• • HINGE.	1	
	MS20470AD3	• • • RIVET	3	
-12	269A2289	• • SPRING	1	
-13	269A2319	• • HANDLE	1	
-14	HS12-2-020-240	• • SPACER - PIN	1	
-15	269A2288-3	• • STRIKER.	1	
	NAS1738B4-1	• • • RIVET (ALT MS20600AD4-2)	4	
-16	MS20600AD4-2	• • RIVET (AD42H).	12	
-17	MS20470AD4	• • RIVET	4	
-18	CKLP4-H	• • RIVET (ALT CR2249-4-3)	25	0001-0089
	AN960PD4	• • WASHER	50	0001-0089
-19	VHB 4941	• • ACRYLIC ADHESIVE TAPE.	AR	0090 & Subs.
-20	269A2805-1	• • REINFORCEMENT RING	2	

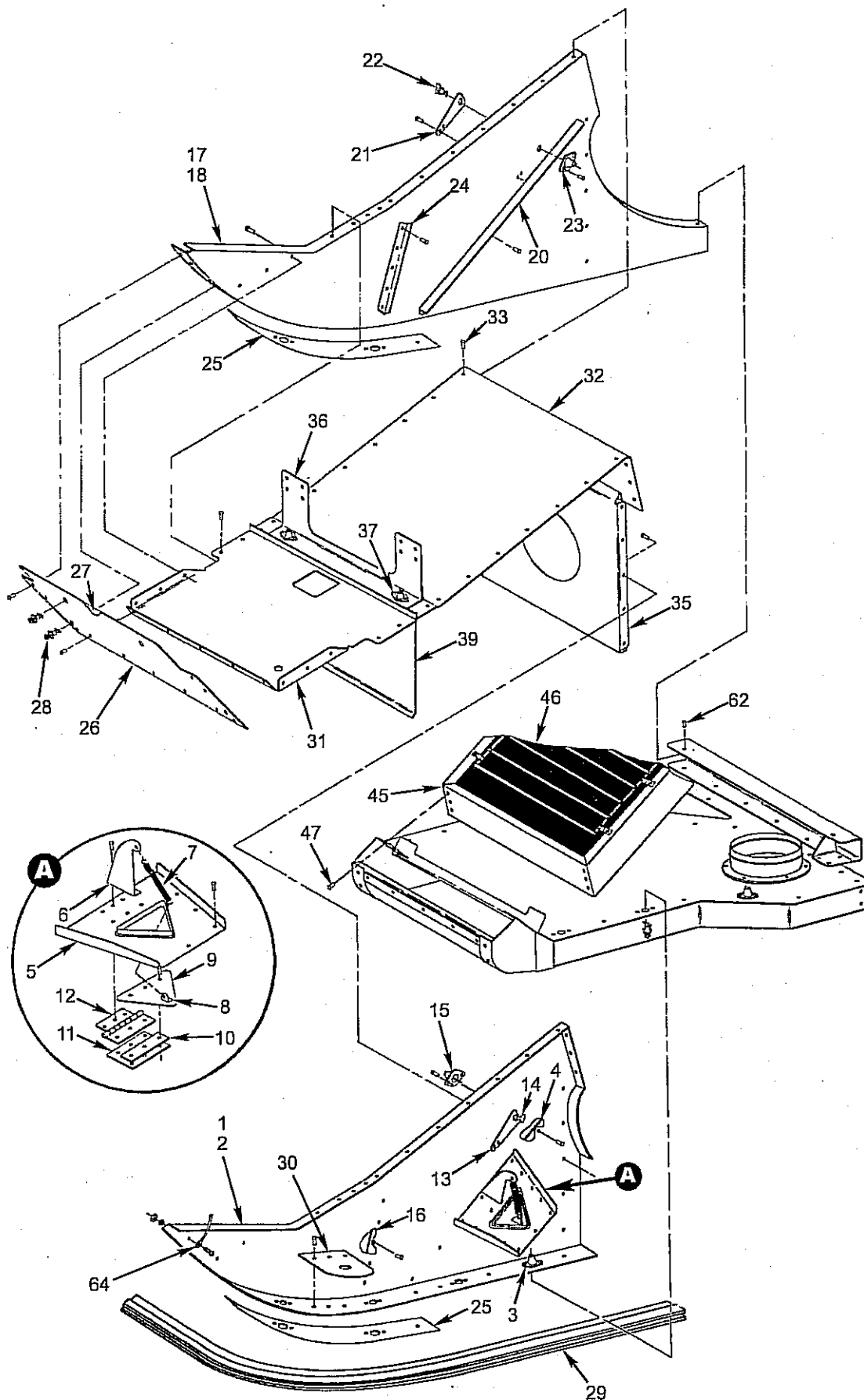


Figure 2-5. Fairing Assy-Center (Sheet 1 of 3)

FIGURE & INDEX NUMBER	PART NUMBER	DESCRIPTION	QTY PER ASSY	A/C SERIAL NUMBER AFFECTED
2-5	269A2329	FAIRING ASSY-CENTER		0001-0138
-1	269A2329-159	• INTERCOSTAL ASSY-LH (RP 269A2329-13)	1	
-2	269A2329-157	• • INTERCOSTAL-LH (RP 269A2329-23)	1	
-3	212-12S	• • RECEPTACLE	6	
	MS20426AD3	• • RIVET	12	
	26S5A-2	• • STUD	6	
-4	269A2329-37	• • ANGLE-LH	1	
	MS20470AD4	• • RIVET	7	
-5	37A717-143	• • DOUBLER	1	
	MS20470AD4	• • RIVET	12	
-6	37A717-25	• • HORN	1	
	MS20426AD4	• • RIVET	1	
-7	19A-137-3	• • SPRING	1	
-8	37A717-27	• • CLIP	1	
	MS20426AD4	• • RIVET	1	
-9	37A717-17	• • DOOR	1	
-10	269A2329-65	• • SHIM	1	
-11	37A717-19	• • DOUBLER	1	
	MS20426AD4	• • RIVET	6	
-12	37A717-21	• • HINGE	1	
-13	2600-ES	• • SPRING	1	
	MS20426AD4	• • RIVET	2	
-14	2600-2SW	• • FIXED WING STUD	1	
	2600-LW	• • • LOCK RING	4	
-15	212-12S	• • RECEPTACLE	1	
	MS20426AD3	• • RIVET	2	
-16	269A2329-91	• • ANGLE	1	
	MS20470AD4	• • RIVET	5	
-17	269A2329-160	• INTERCOSTAL ASSY-RH (RP 269A2329-14)	1	
-18	269A2329-158	• • INTERCOSTAL-RH (RP 269A2329-24)	1	
-19	212-12S	• • RECEPTACLE (NOT SHOWN)	6	
-20	269A2329-38	• • ANGLE	1	
	MS20470AD4	• • RIVET	6	
-21	2600-ES	• • SPRING	1	
	MS20426AD4	• • RIVET	2	
-22	2600-2SW	• • FIXED WING STUD	1	
-23	212-12S	• • RECEPTACLE	1	
	MS20426AD3	• • RIVET	2	
-24	269A2329-92	• • ANGLE	1	
	MS20470AD4	• • RIVET	5	
-25	269A2329-49	• • STRIP	2	
-26	269A2329-31	• • CHIN SKIN-UPPER	1	
	MS20470AD4	• • RIVET	11	
-27	.187X.62SLE-41/PSA	• • GASKET	AR	
-28	26S51-2	• • STUD	2	
	2600-SW	• • SPLIT RING	2	
-29	269A2329-169	• • RETAINER, RIGHT	1	
	269A2329-175	• • RETAINER, LEFT	1	

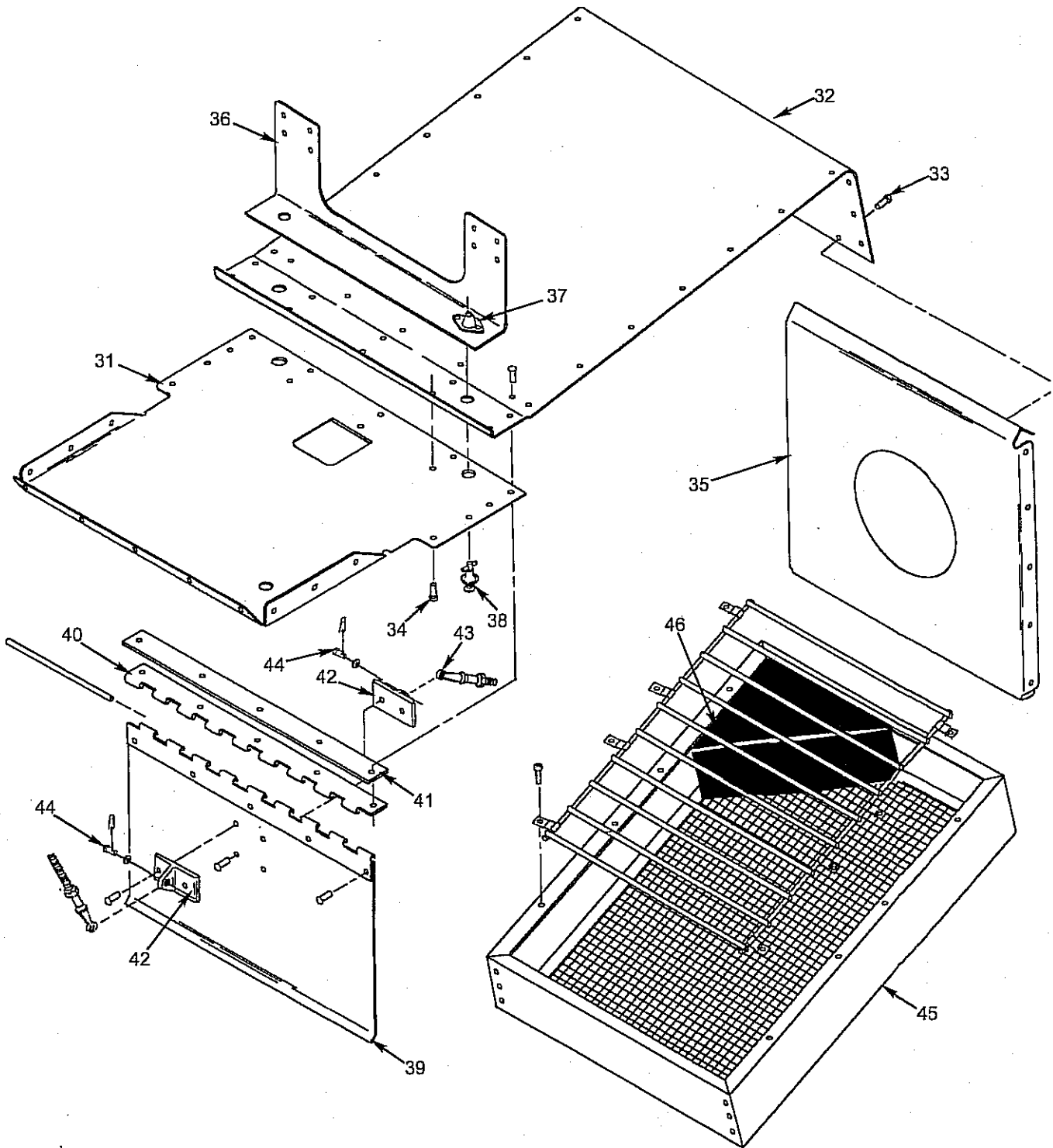


Figure 2-5. Fairing Assy-Center (Sheet 2 of 3)



FIGURE & INDEX NUMBER	PART NUMBER	DESCRIPTION	QTY PER ASSY	A/C SERIAL NUMBER AFFECTED
2-5	269A2329	FAIRING ASSY-CENTER (cont)		0001-0138
-30	269A2329-73 MS20470AD4	• • MOUNT . . . . . • • RIVET . . . . .	1 3	
-31	269A2329-19 MS20470AD4	• • CLOSURE PANEL . . . . . • • RIVET . . . . .	1 10	
-32	269A2329-21	• • CLOSURE PANEL . . . . .	1	
-33	MS20470AD4	• • RIVET . . . . .	29	
-34	MS20426AD4	• • RIVET . . . . .	6	
-35	269A2329-29 MS20470AD4	• • CLOSURE PANEL, SPINNING . . . . . • • RIVET . . . . .	1 15	
-36	269A2329-155	• • ANGLE (RP 269A2329-45) . . . . .	1	
-37	212-12S MS20426AD3	• • RECEPTACLE . . . . . • • RIVET . . . . .	2 4	
-38	26S51-2 2600-SW	• • STUD . . . . . • • SPLIT RING . . . . .	2 2	
-39	269A2329-87	• • DOOR . . . . .	1	
-40	269A2329-27 MS20253P2-900	• • HINGE HALF . . . . . • • HINGE PIN . . . . .	2 1	
-41	269A2329-137 MS20470AD4	• • SHIM . . . . . • • RIVET . . . . .	1 10	
-42	269A2329-123 MS20470AD4	• • HORN . . . . . • • RIVET . . . . .	2 4	
-43	269A2329-131 269A2329-133 MS35812-1 AN315-3R	• • ROD ASSY . . . . . • • • ROD . . . . . • • • CLEVIS . . . . . • • • NUT . . . . .	1 1 2 2	
-44	MS20392-2615 AN960-10L AN416-2	• • PIN . . . . . • • WASHER . . . . . • • RETAINING PIN . . . . .	3 3 3	
-45	BA5410	• • AIR FILTER ASSY . . . . .	1	
-46	BA5405	• • • FILTER . . . . .	1	
-47	MS20470AD4	• • RIVET . . . . .	6	
-48	269A2329-99 MS20426AD4	• • CHIN SKIN . . . . . • • RIVET . . . . .	1 4	
-49	269A2329-135 MS20470AD4	• • FITTING-HOSE . . . . . • • RIVET . . . . .	1 6	
-50	269A2329-161	• • CHANNEL (RP 269A2329-25) . . . . .	1	0017 & Subs.
-51	CR2238-4 AN960KD6L	• • RIVET (ALT MS20426AD4) . . . . . • • WASHER . . . . .	2 2	
-52	CR2238-4-3 AN960KD6L	• • RIVET (ALT MS20426AD4) . . . . . • • WASHER . . . . .	8 8	
-53	269A2329-119 MS20470AD4	• • DAM . . . . . • • RIVET . . . . .	1 10	
-54	269A2329-117 MS20470AD4	• • CLOSURE . . . . . • • RIVET . . . . .	1 11	
-55	269A2329-103 MS20470AD4	• • Z-CHANNEL . . . . . • • RIVET . . . . .	1 13	

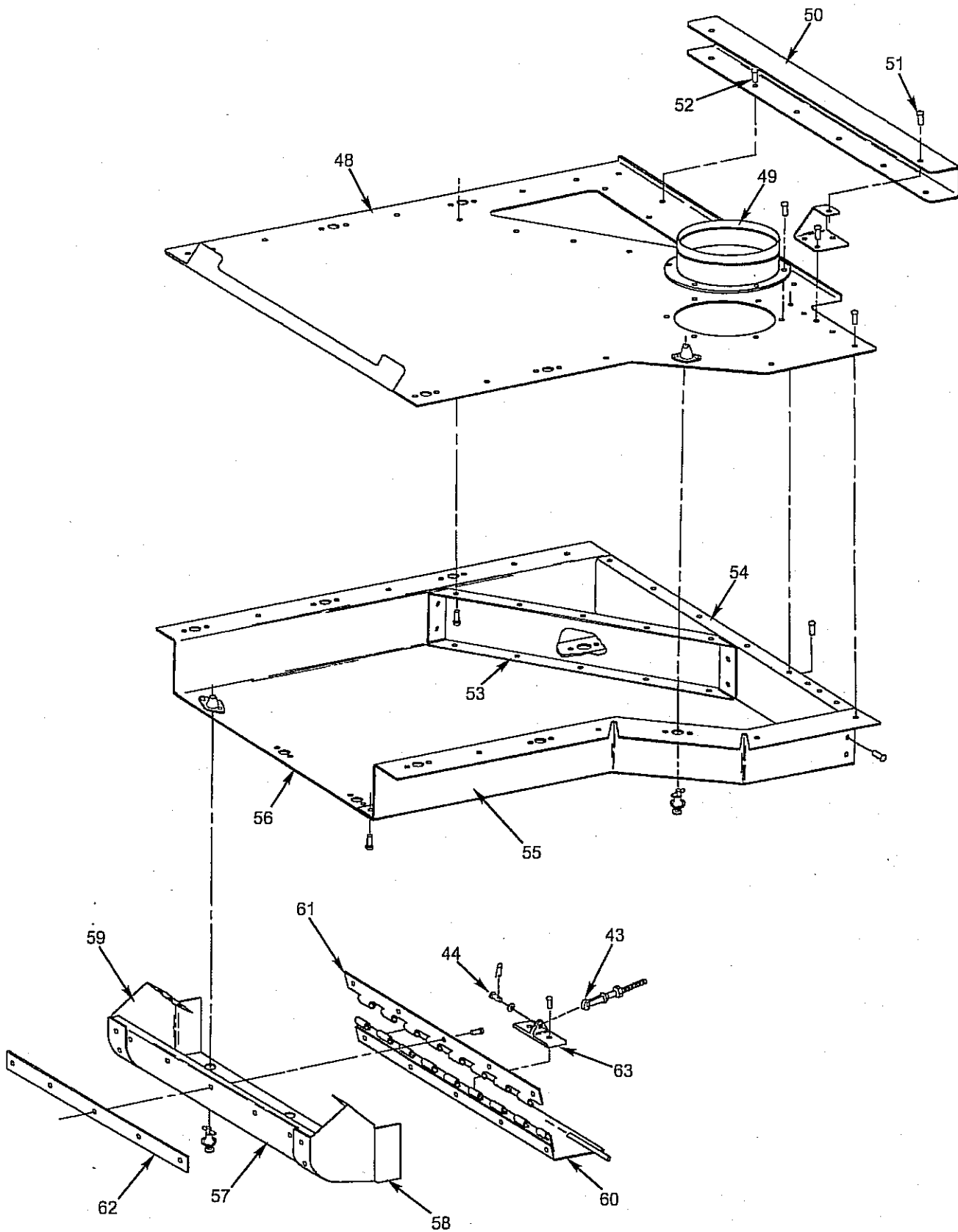


Figure 2-5. Fairing Assy-Center (Sheet 3 of 3)

FIGURE & INDEX NUMBER	PART NUMBER	DESCRIPTION	QTY PER ASSY	A/C SERIAL NUMBER AFFECTED
2-5	269A2329	FAIRING ASSY-CENTER (cont)		0001-0138
-56	269A2329-85	• • CHANNEL . . . . .	1	
	MS20470AD4	• • RIVET . . . . .	2	
	212-12S	• • RECEPTACLE . . . . .	3	
-57	269A2329-83	• • SKIN . . . . .	1	
	26S51-2	• • STUD . . . . .	3	
-58	269A2329-81	• • CLOSURE . . . . .	1	
	MS20470AD4	• • RIVET . . . . .	5	
-59	269A2329-82	• • CLOSURE . . . . .	1	
	MS20470AD4	• • RIVET . . . . .	5	
-60	269A2329-89	• • DOOR . . . . .	1	
-61	269A2329-141	• • HINGE HALF . . . . .	2	
	MS20253P2-900	• • HINGE PIN . . . . .	1	
	MS20470AD4	• • RIVET . . . . .	5	
-62	269A2329-127	• • SHIM . . . . .	1	
	MS20426AD4	• • RIVET . . . . .	2	
	MS20470AD4	• • RIVET . . . . .	3	
-63	269A2329-123	• • HORN . . . . .	1	
	MS20470AD4	• • RIVET . . . . .	2	
-64	MS25083-2BB6	• • GROUND STRAP . . . . .	1	
	NAS1403-2	• • SCREW . . . . .	2	
	AN960KD10L	• • WASHER . . . . .	4	
	MS21044N3	• • NUT . . . . .	2	

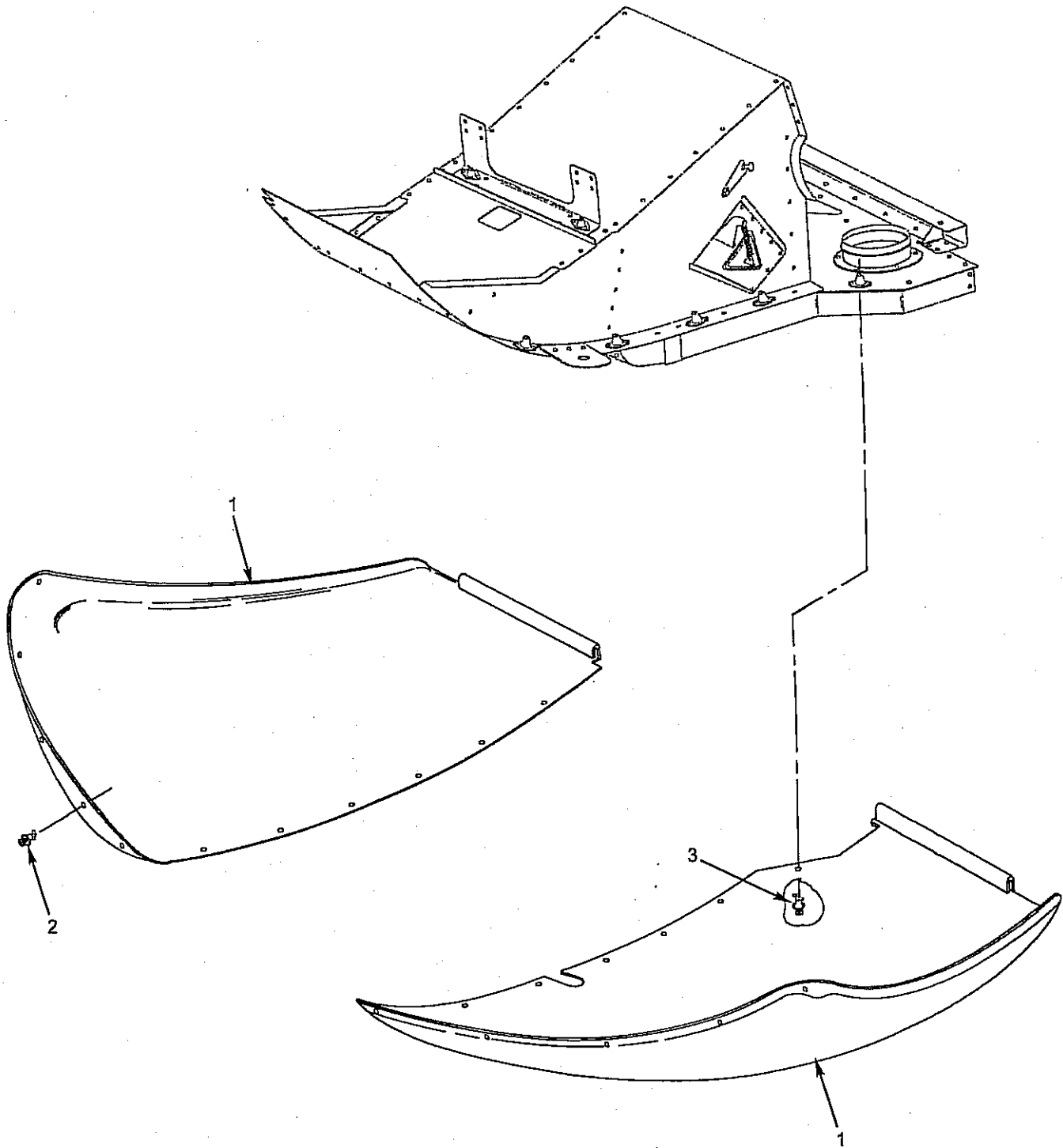


Figure 2-6. Side Fairing Assembly (S/N 0001 - 0050)

FIGURE & INDEX NUMBER	PART NUMBER	DESCRIPTION	QTY PER ASSY	A/C SERIAL NUMBER AFFECTED
2-6	269A2290-3	SIDE FAIRING ASSY		0001-0050
-1	269A2290-31	• SIDE FAIRING-LH . . . . .	1	
	269A2290-32	• SIDE FAIRING-RH . . . . .	1	
-2	26SA-9	• STUD. . . . .	5	
	2600-LW	• SOLID RING . . . . .	5	
-3	26SA-5	• STUD. . . . .	6	
	2600-LW	• SOLID RING . . . . .	6	

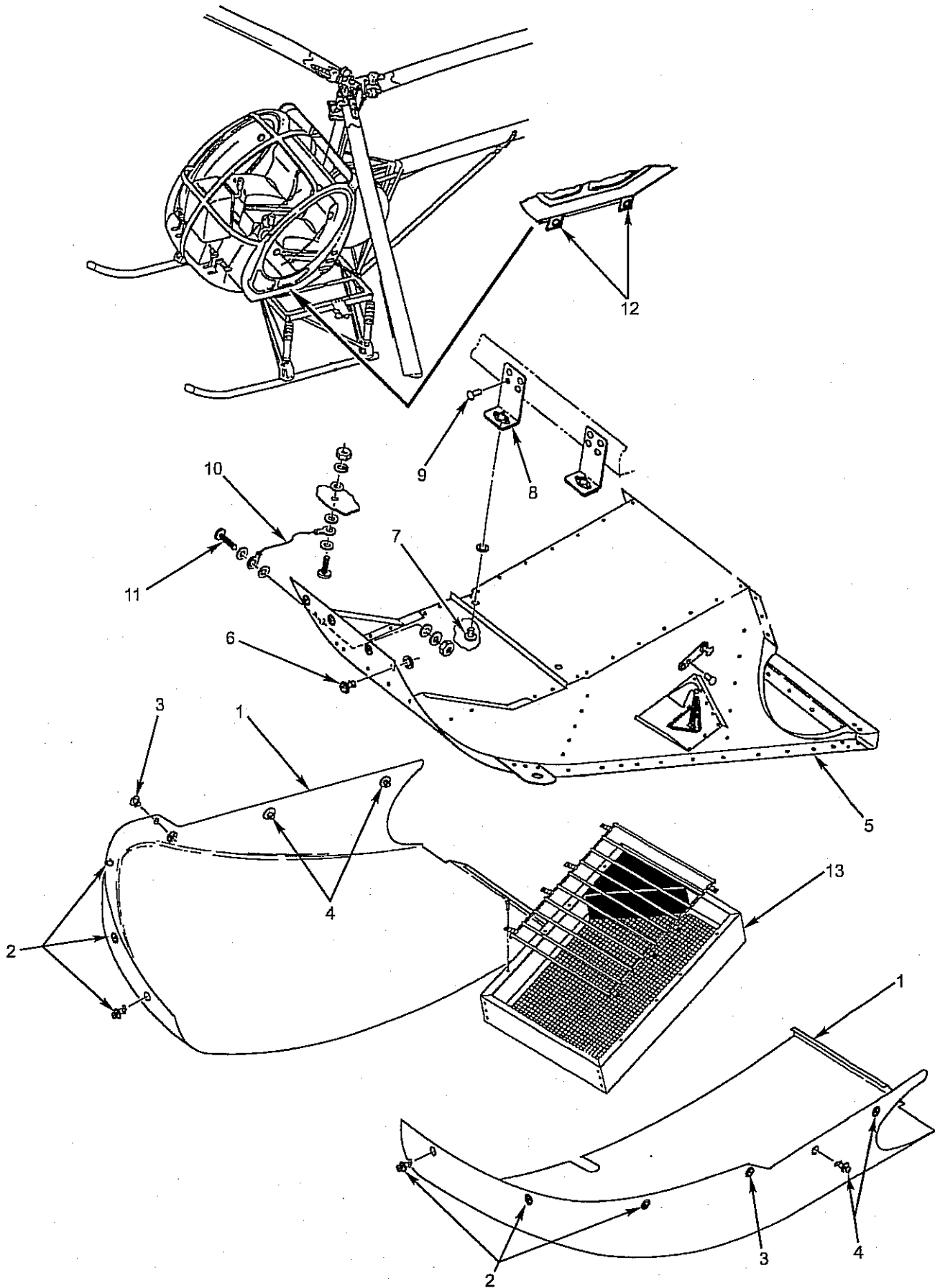


Figure 2-7. Side Fairing Assembly (S/N 0051 & Subs.)

FIGURE & INDEX NUMBER	PART NUMBER	DESCRIPTION	QTY PER ASSY	A/C SERIAL NUMBER AFFECTED
2-7	269A2290-5	SIDE FAIRING ASSY		0051 & Subs.
-1	269A2290-43	• SIDE FAIRING-LH . . . . .	1	
	269A2290-42	• SIDE FAIRING-RH . . . . .	1	
-2	26S51-9	• • STUD (ALT 26S51-10 thru -12). . . . .	3	
	2600-LW	• • • LOCK RING . . . . .	3	
-3	26S51-10	• • STUD (ALT 26S51-11 thru -16). . . . .	1	
	2600-LW	• • • LOCK RING . . . . .	1	
-4	26S51-6	• • STUD (ALT 26S51-7 thru -8) . . . . .	2	
	2600-LW	• • • LOCK RING . . . . .	2	
-5	269A2329-7	• CHIN ASSY. . . . .	1	0139 & Subs.
-6	26S51-9	• • STUD . . . . .	4	
	2600-LW	• • • LOCK RING . . . . .	4	
-7	26S51-3	• • STUD . . . . .	2	
	2600-LW	• • • LOCK RING . . . . .	2	
-8	269A2329-155	• BRACKET . . . . .	2	
	212-12S	• • RECEPTACLE . . . . .	2	
-9	MS20470AD4	• RIVET . . . . .	8	
-10	MS25083-2BB6	• GROUND STRAP . . . . .	1	
-11	NAS1303-7	• SCREW . . . . .	2	
	MS35338-43	• LOCKWASHER . . . . .	2	
	AN960JD10L	• WASHER . . . . .	6	
	MS21044N3	• NUT . . . . .	2	
-12	269A2350-1	• CLIP ASSY . . . . .	4	
	212-12SD	• • RECEPTACLE . . . . .	2	
-13	BA5410	• AIR FILTER ASSY . . . . .	1	
	BA5405	• • FILTER . . . . .	1	

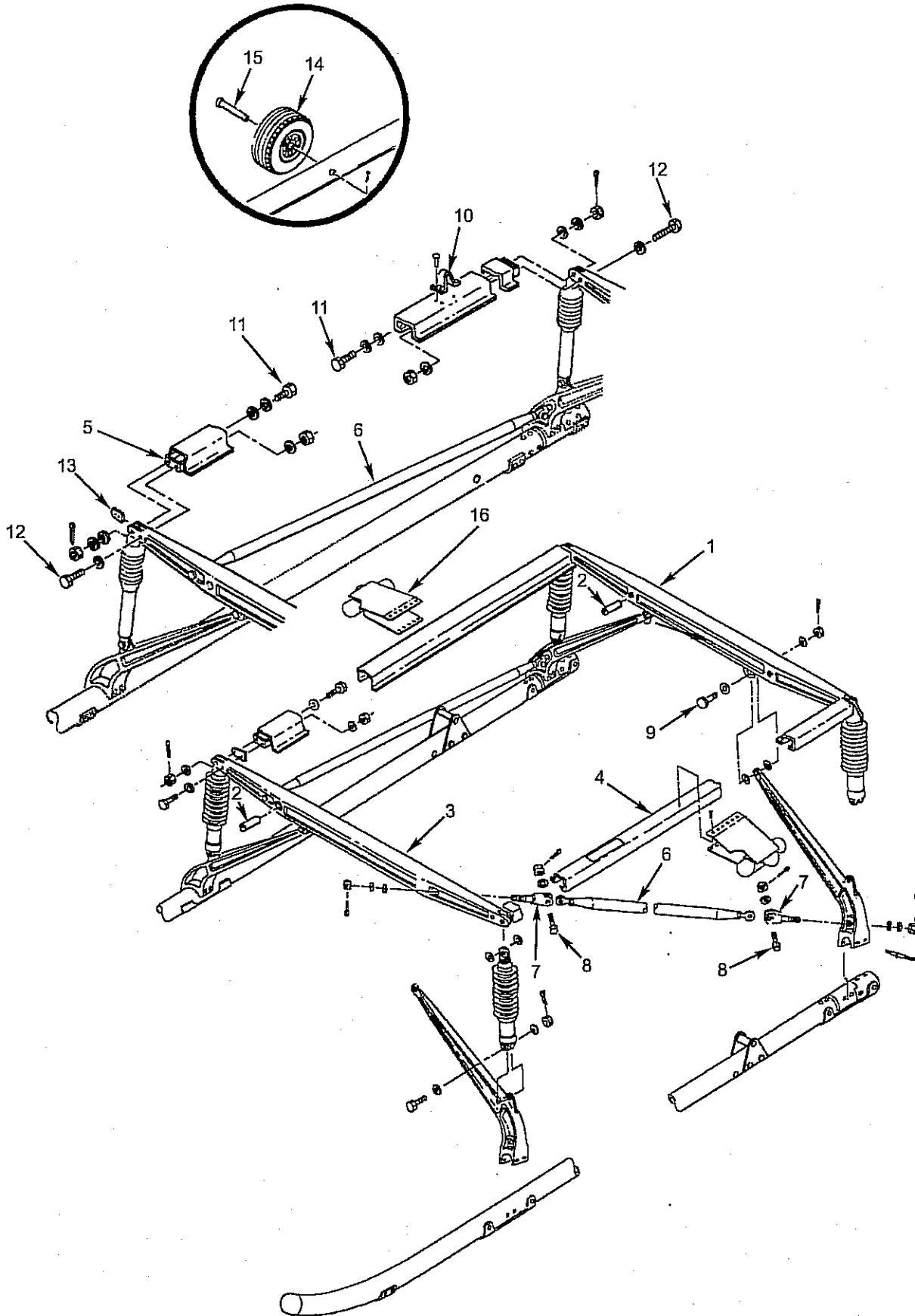


Figure 2-8. Landing Gear Assembly



FIGURE & INDEX NUMBER	PART NUMBER	DESCRIPTION	QTY PER ASSY	A/C SERIAL NUMBER AFFECTED
2-8	269A3240	LANDING GEAR ASSEMBLY		
-1	269A3117-7	• BEAM ASSY-AFT . . . . .	1	
-2	HS13SP312-250-1193	• • BUSHING. . . . .	2	
-3	269A3118-9	• BEAM ASSY-FWD . . . . .	1	
	HS13SP312-250-1193	• • BUSHING. . . . .	2	
-4	269A3238-15T	• STABILIZER ASSY-LH . . . . .	1	
	269A3238-16V	• STABILIZER ASSY-RH . . . . .	1	
	269A3238-13	• • NON-SLIP TAPE . . . . .	2	
-5	269A3238-17L	• • CLIP-FORWARD LH . . . . .	1	
	269A3238-19L	• • CLIP-AFT LH . . . . .	1	
	269A3238-20L	• • CLIP-FORWARD RH . . . . .	1	
	269A3238-20	• • CLIP-AFT RH . . . . .	1	
	MS20470AD6-8	• • RIVET . . . . .	8	
-6	269A3119	• STRUT ASSY . . . . .	2	
	269A5050-33	• • BEARING. . . . .	2	
	AN316-5R	• • NUT . . . . .	2	
	AN470AD3	• • RIVET . . . . .	2	
-7	269A3115	• FORK. . . . .	4	
	AN960-516	• WASHER . . . . .	4	
	AN310-5	• NUT . . . . .	4	
	MS24665-153	• COTTER PIN . . . . .	4	
-8	NAS464P4-10	• BOLT (ALT NAS1104-10D) . . . . .	4	
	AN960KD416L	• WASHER . . . . .	AR	
	AN320-4	• NUT . . . . .	4	
	MS24665-153	• COTTER PIN . . . . .	4	
-9	NAS464P5-14	• BOLT (ALT NAS1105-14D) . . . . .	4	
	AN960KD516	• WASHER . . . . .	AR	
	AN960KD516L	• WASHER . . . . .	AR	
	AN310-5	• NUT . . . . .	4	
	MS24665-153	• COTTER PIN . . . . .	4	
-10	269A3248	• CLIP . . . . .	4	
	MS20470AD4	• RIVET . . . . .	4	
-11	NAS464P5-19	• BOLT (ALT NAS1105-19D) . . . . .	4	
	AN960KD516	• WASHER . . . . .	AR	
	AN960KD516L	• WASHER . . . . .	AR	
	AN310-5	• NUT . . . . .	4	
	MS24665-153	• COTTER PIN . . . . .	4	
-12	AN4-15A	• BOLT (ALT NAS1304-19) . . . . .	4	
	AN960KD416	• WASHER . . . . .	AR	
	MS20364-428C	• NUT . . . . .	4	
-13	269A3238-11	• FILLER . . . . .	4	
-14	269A4722-5	• WHEEL AND TIRE ASSY . . . . .	2	
-15	269A3224	• SHAFT . . . . .	2	
	269A4596	• PIN . . . . .	2	
-16	269A4442-1	• BRACKET - LH (See Fig 6-8 for BKDN) . . . . .	REF	
	269A4442-2	• BRACKET - RH (See Fig 6-8 for BKDN) . . . . .	REF	

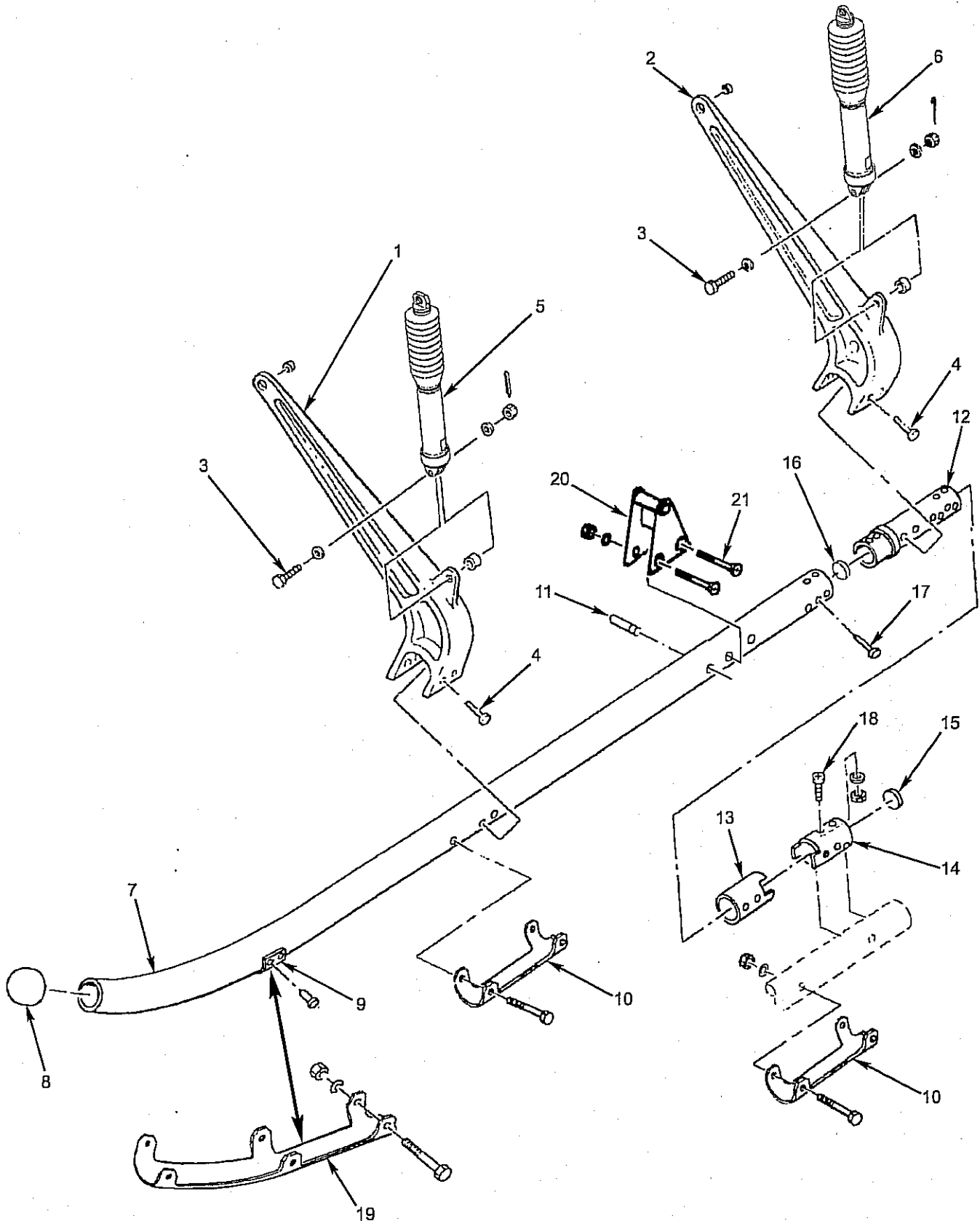


Figure 2-9. Landing Gear Skid and Strut Assy

FIGURE & INDEX NUMBER	PART NUMBER	DESCRIPTION	QTY PER ASSY	A/C SERIAL NUMBER AFFECTED
2-9	269A3240	LANDING GEAR SKID AND STRUT ASSY		
-1	269A3120-7L	• STRUT-FORWARD LH . . . . .	1	
	269A3120-8L	• STRUT-FORWARD RH . . . . .	1	
	269A5050-20	• • BEARING-INBOARD END . . . . .	1	
	269A5050-24	• • BEARING-OUTBOARD END . . . . .	1	
-2	269A3120-5L	• STRUT-AFT LH . . . . .	1	
	269A3120-6L	• STRUT-AFT RH . . . . .	1	
	269A5050-20	• • BEARING-INBOARD END . . . . .	1	
	269A5050-24	• • BEARING-OUTBOARD END . . . . .	1	
-3	NAS1105-160	• BOLT . . . . .	4	
	AN960KD516	• WASHER . . . . .	AR	
	AN960KD516L	• WASHER . . . . .	AR	
	AN320-5	• NUT . . . . .	4	
	MS24665-153	• COTTER PIN . . . . .	4	
-4	OSR-10C	• HUCK RIVET (ALT NAS1669-6L5 BOLT) . . . . .	16	
-5	269A3150-19	• DAMPER ASSY-FORWARD (See Fig 2-10 for BKDN) . . . . .	2	
-6	269A3150-21	• DAMPER ASSY-AFT (See Fig 2-10 for BKDN) . . . . .	2	
-7	269A3245-917	• SKID ASSY-LH* . . . . .	1	
	269A3245-918	• SKID ASSY-RH* . . . . .	1	
	269A3237-5L	• • TUBE-LH . . . . .	1	
	269A3237-5M	• • TUBE-RH . . . . .	1	
-8	269A3226	• • CAP . . . . .	1	
-9	269A3251-3	• • SKID SHOE-SHORT . . . . .	1	
	CKL-P5E	• • • RIVET-BLIND (ALT NAS1919B05-03) . . . . .	4	
-10	269A3251-1	• • SKID SHOE-MEDIUM . . . . .	2	
	NAS1304-38	• • • BOLT . . . . .	4	
	AN960KD416	• • • WASHER . . . . .	4	
	MS21042-4	• • • NUT . . . . .	4	
-11	269A3227	• • BUSHING . . . . .	1	
-12	269A3229-5L	• • EXTENSION-LH . . . . .	1	
	269A3229-6L	• • EXTENSION-RH . . . . .	1	
-13	269A3230-1L	• • SLEEVE-LH . . . . .	1	
	269A3230-2L	• • SLEEVE-RH . . . . .	1	
-14	269A3231	• • SLEEVE . . . . .	1	
-15	269A3232-3	• • CAP . . . . .	1	
-16	269A3213	• • PLUG . . . . .	1	
-17	NAS1669-3L5	• • JO-BOLT . . . . .	8	
-18	NAS623-3-5	• • SCREW . . . . .	6	
	AN960KD10L	• • WASHER . . . . .	6	
	MS20364-1032P	• • NUT (ALT MS21083N3) . . . . .	6	
-19	269A3251-5	• • NOSE SKID SHOE-HEAVY DUTY* . . . . .	2	
	NAS1304-38	• • • BOLT . . . . .	3	
	AN960KD416	• • • WASHER . . . . .	3	
	MS21042-4	• • • NUT . . . . .	3	
<p>*269A3245-917 &amp; 918 Must Be Used Together, Optional Assys 269A3245-915 &amp; 916 Must Be Used Together, INTERMIXING SKID ASSY'S (E.G. -916 WITH -917) IS NOT PERMITTED.</p>				

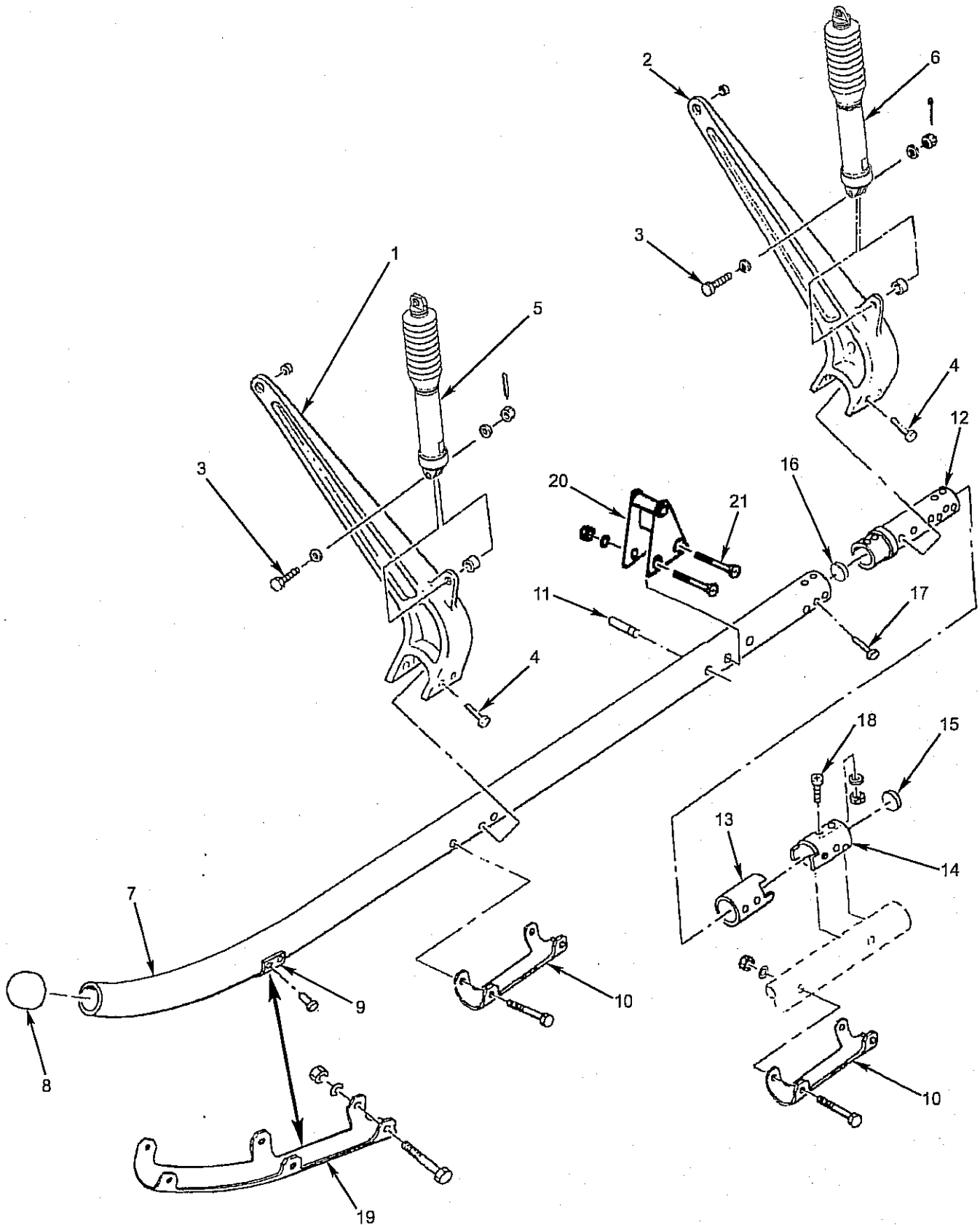


Figure 2-9. Landing Gear Skid and Strut Assy

FIGURE & INDEX NUMBER	PART NUMBER	DESCRIPTION	QTY PER ASSY	A/C SERIAL NUMBER AFFECTED
2-9	269A3240	LANDING GEAR SKID AND STRUT ASSY		
-20	269A3205-1	• • SKID MOUNT ASSY . . . . .	1	
-21	AN509-416R48	• • SCREW . . . . .	2	
	AN960-416	• • WASHER . . . . .	2	
	MS21044N4	• • NUT . . . . .	2	

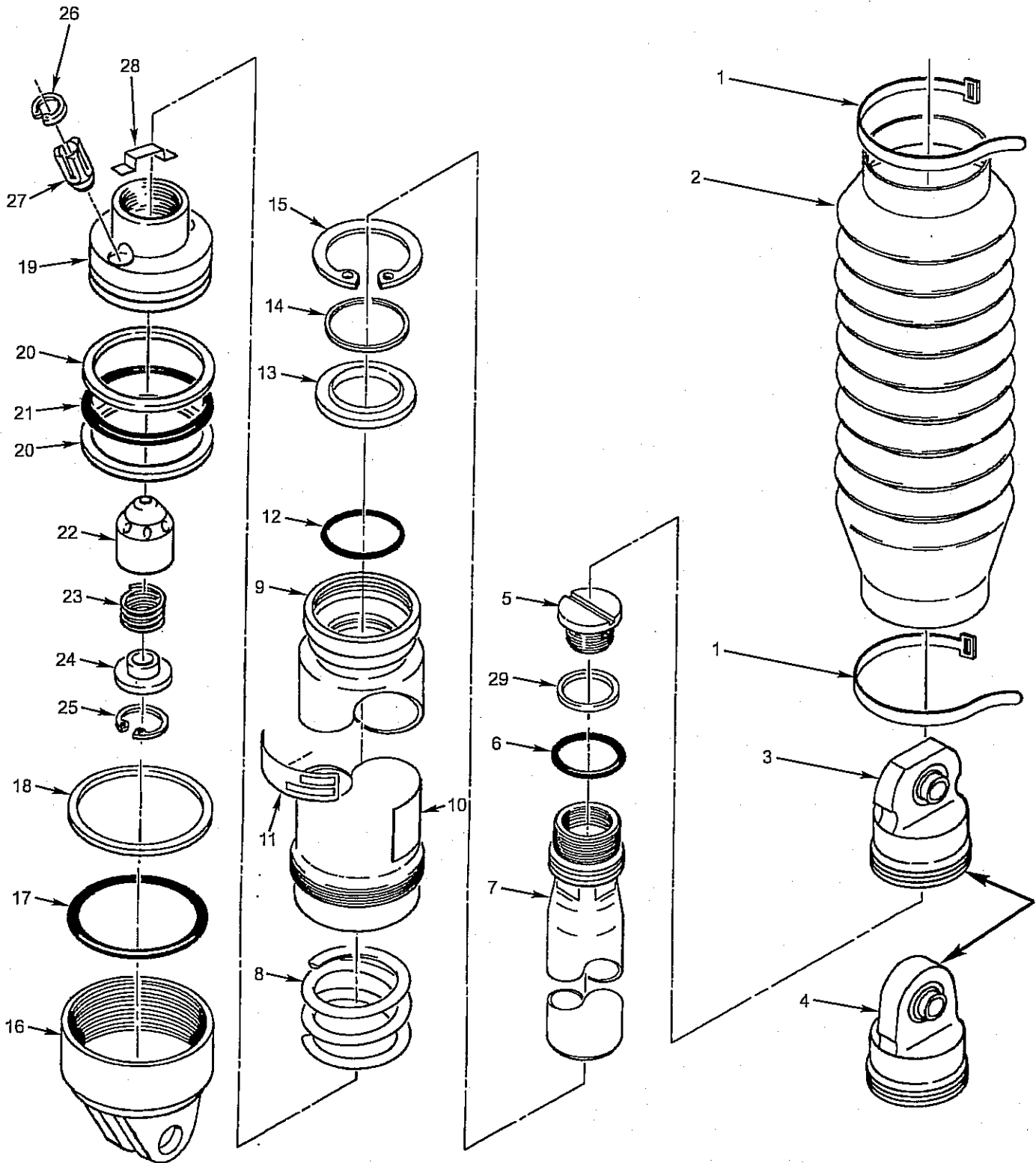


Figure 2-10. Damper Assy

FIGURE & INDEX NUMBER	PART NUMBER	DESCRIPTION	QTY PER ASSY	A/C SERIAL NUMBER AFFECTED
2-10	269A3150-19 269A3150-21	DAMPER ASSY - FWD DAMPER ASSY - AFT		
-1	SST25-0	• STA STRAP*	2	
-2	269A3108	• BOOT.	1	
-3	269A3170	• FWD CAP ASSY	1	
	269A5050-21	• • BEARING.	1	
-4	269A3152-901	• AFT CAP ASSY	1	
	269A5050-21	• • BEARING.	1	
-5	269A3155	• PLUG.	1	
-6	MS28775-118	• O-RING*	1	
-7	269A3162-3	• PISTON	1	
-8	269A3168	• SPRING	1	
-9	269A3163-13	• BARREL ASSY	1	
-10	269A3169-1	• PLATE*	1	
-11	269A4583-3	• PLATE	1	
-12	S34851-215BAE99	• SEAL*	1	
	S13050-3019	• • BACKUP RING (Needed with S34851-215BAE99)	1	
-13	S-11065-10-5	• SCRAPER RING*	1	
-14	269A3166	• WASHER*	1	
-15	MS16625-1145	• RING-RETAINER	1	
-16	269A3154	• CAP	1	
-17	MS28775-133	• O-RING*	1	
-18	MS28774-133	• BACKUP RING*	1	
-19	269A3156-3	• HOUSING ASSY - POPPET	1	
-20	MS28774-127	• • BACKUP RING*	2	
-21	MS28775-127	• • "O" RING*	1	
-22	269A3158	• • POPPET	1	
-23	269A3161	• • SPRING	1	
-24	269A3160	• • RETAINER	1	
-25	MS16625-1056	• • RING-RETAINER	1	
-26	MS16625-1031	• • RING-RETAINER	2	
-27	269A3159	• • POPPET	2	
-28	269A3167	• BAFFLE*	1	
-29	MS28778-8	• GASKET*	1	
<p>*Included In Landing Gear Damper Overhaul Kit. Order 269A3150-801 Overhaul Kit For 269A3150-19 &amp; 21.</p>				

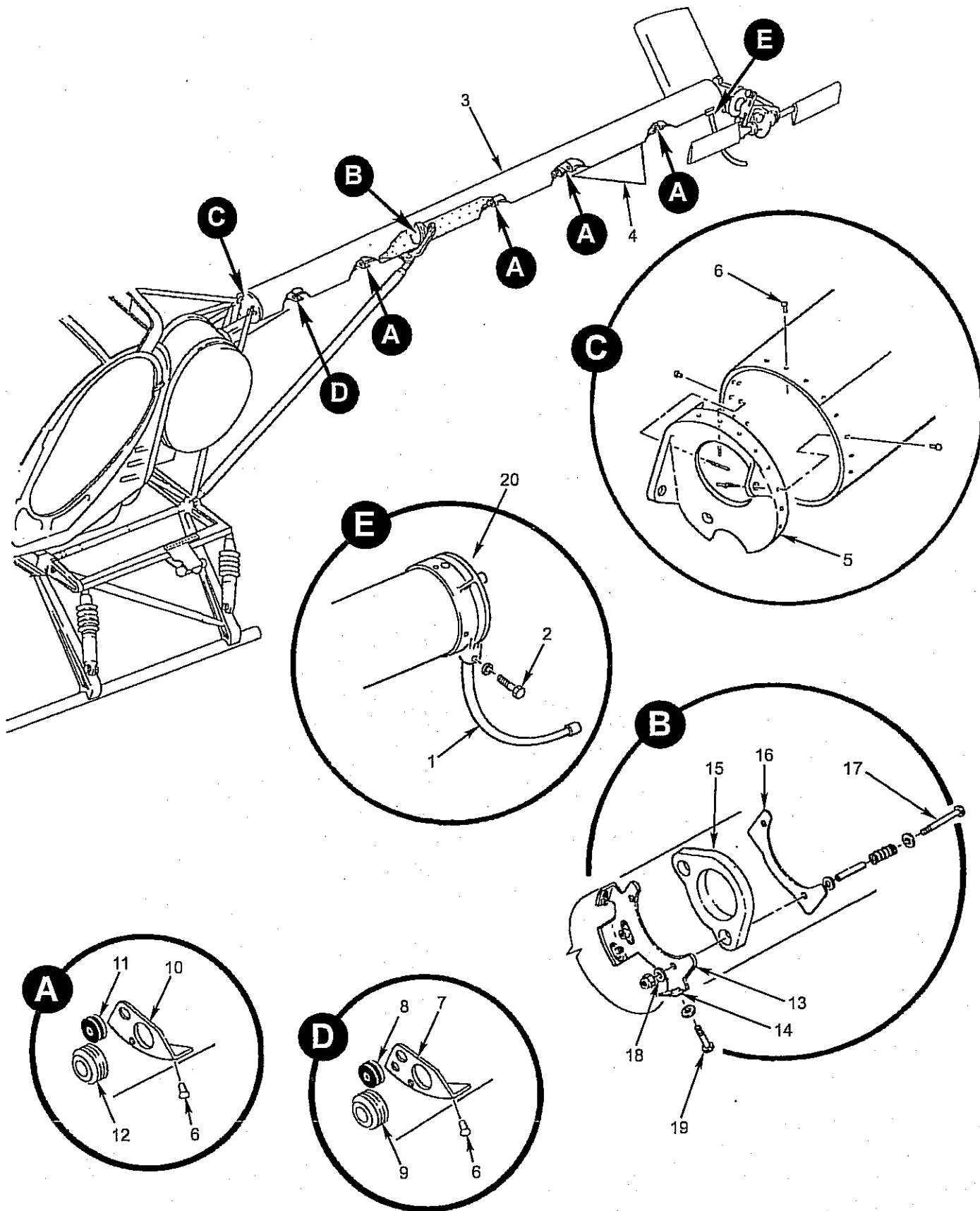


Figure 2-11. Tailboom Assembly



FIGURE & INDEX NUMBER	PART NUMBER	DESCRIPTION	QTY PER ASSY	A/C SERIAL NUMBER AFFECTED
2-11	269A2320	TAIL BOOM ASSY		
-1	269A2305-9	• TAIL SKID ASSY . . . . .	1	
	MS20605M3W3	• • RIVET . . . . .	8	
	NAS1029A4	• • NUTPLATE . . . . .	4	
-2	NAS1304-7	• BOLT . . . . .	4	
	NAS1197-416	• WASHER . . . . .	4	
-3	269A2320-15	• BOOM ASSY (Specify if Part Must be Painted) . . . . .	1	
-4	269A2402	• • VERTICAL STABILIZER . . . . .	1	
-5	269A2323-7	• • FITTING . . . . .	1	
-6	NAS1919B05-04	• • RIVET-BLIND . . . . .	AR	
-7	269A2308-11	• • GUIDE ASSY . . . . .	1	
-8	AN931-4-7	• • • GROMMET . . . . .	1	
-9	269A2309	• • • GROMMET . . . . .	1	
-10	269A2308-13	• • GUIDE ASSY . . . . .	4	
-11	AN931-4-7	• • • GROMMET . . . . .	4	
-12	269A2309	• • • GROMMET . . . . .	4	
-13	269A2330-5	• DAMPER ASSY . . . . .	1	
-14	269A2332-5	• • DAMPER SUPPORT ASSY . . . . .	1	
	NAS680A3	• • • ANCHOR NUT . . . . .	4	
	MS20426AD3	• • • RIVET . . . . .	8	
-15	269A2331	• • DAMPER BLOCK . . . . .	1	
-16	269A2335	• • PLATE . . . . .	1	
-17	NAS221-35	• • SCREW (ALT NAS1403-28) . . . . .	2	
	AN960KD10L	• • WASHER . . . . .	4	
	269A5719	• • SPRING . . . . .	2	
	269A2404-1	• • BUSHING (ALT HS13C248-194-1748) . . . . .	2	
-18	AN960KD416L	• • WASHER . . . . .	AR	
	NAS679A3	• • NUT (ALT MS21042-3) . . . . .	2	
-19	NAS221-9	• • SCREW . . . . .	3	
	AN960KD10L	• • WASHER . . . . .	3	
-20	269A6045-11	• ADAPTER ASSY (See Fig. 3-1 for BKDN) . . . . .	REF	

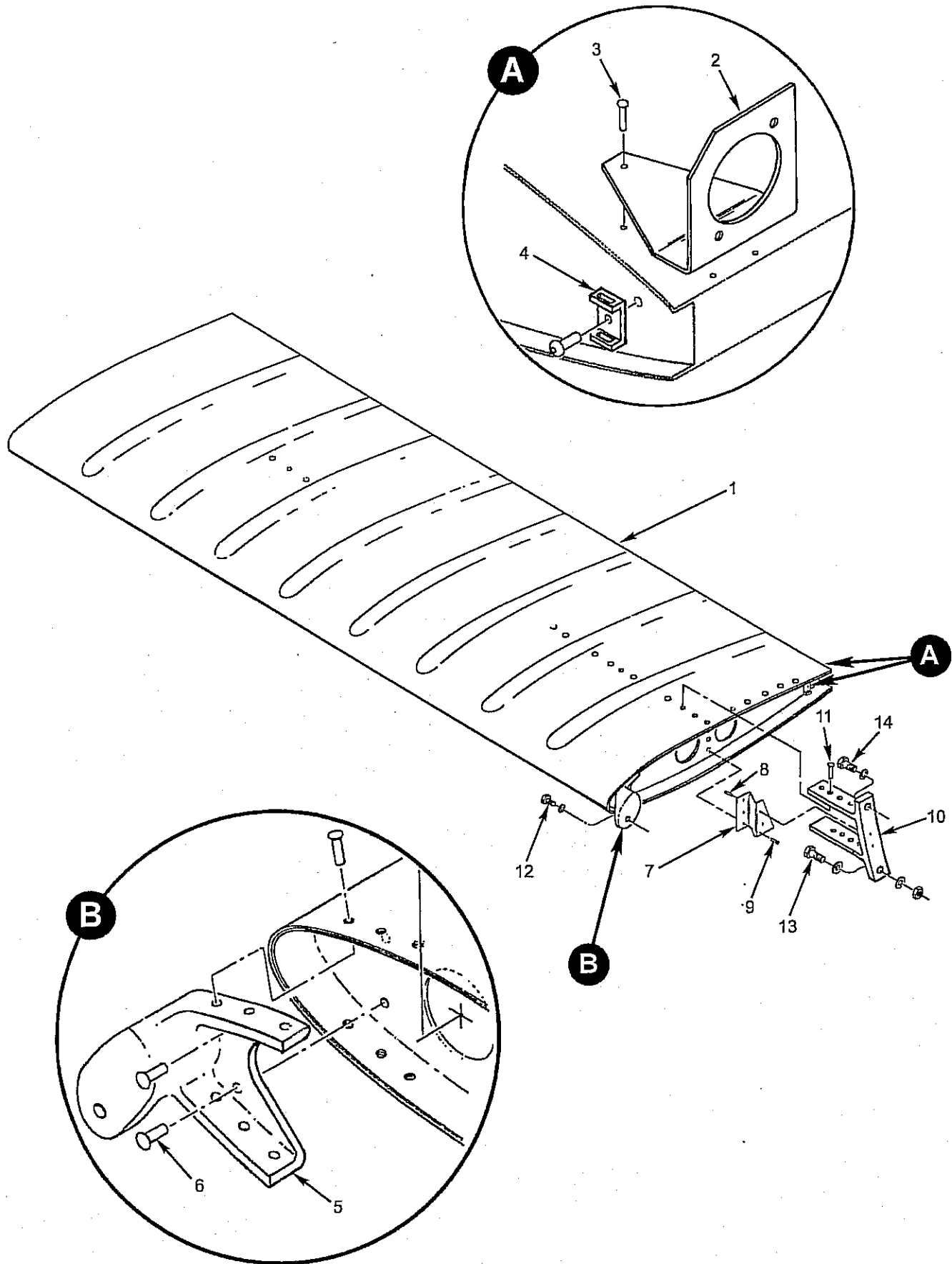


Figure 2-12. Horizontal Stabilizer Assembly

FIGURE & INDEX NUMBER	PART NUMBER	DESCRIPTION	QTY PER ASSY	A/C SERIAL NUMBER AFFECTED
2-12	269A2516	HORIZONTAL STABILIZER ASSY		
-1	269A2516-21	• HORIZONTAL STABILIZER ASSY . . . . .	1	
-2	269A4752	• • BRACKET . . . . .	1	0001 - 0050
-3	MS20470AD4	• • RIVET . . . . .	3	0001 - 0050
-4	SSC-2S-S10-0	• • STA-STRAP . . . . .	1	0005 & Subs.
	CR2263-6-3	• • RIVET . . . . .	1	
-5	269A2518-3	• • FITTING (NP) . . . . .	1	
-6	MS20470B4	• • RIVET . . . . .	6	
-7	269A2516-23	• • BRACKET . . . . .	1	
-8	MS20470AD4	• • RIVET (ALT CR2249) . . . . .	2	
-9	P4C	• • RIVET (ALT MS20470AD4) . . . . .	3	
-10	269A2515	• • FITTING (NP) . . . . .	1	
-11	NAS1398MW5-5	• • RIVET . . . . .	8	
-12	AN173-7A	• BOLT . . . . .	1	
	AN960KD10	• WASHER . . . . .	1	
-13	AN174-11A	• BOLT (ALT NAS1304-11) . . . . .	1	
	AN960-416	• WASHER . . . . .	2	
	MS20365-428	• NUT . . . . .	1	
-14	NK174-6A	• BOLT . . . . .	1	
	AN960-416	• WASHER . . . . .	1	

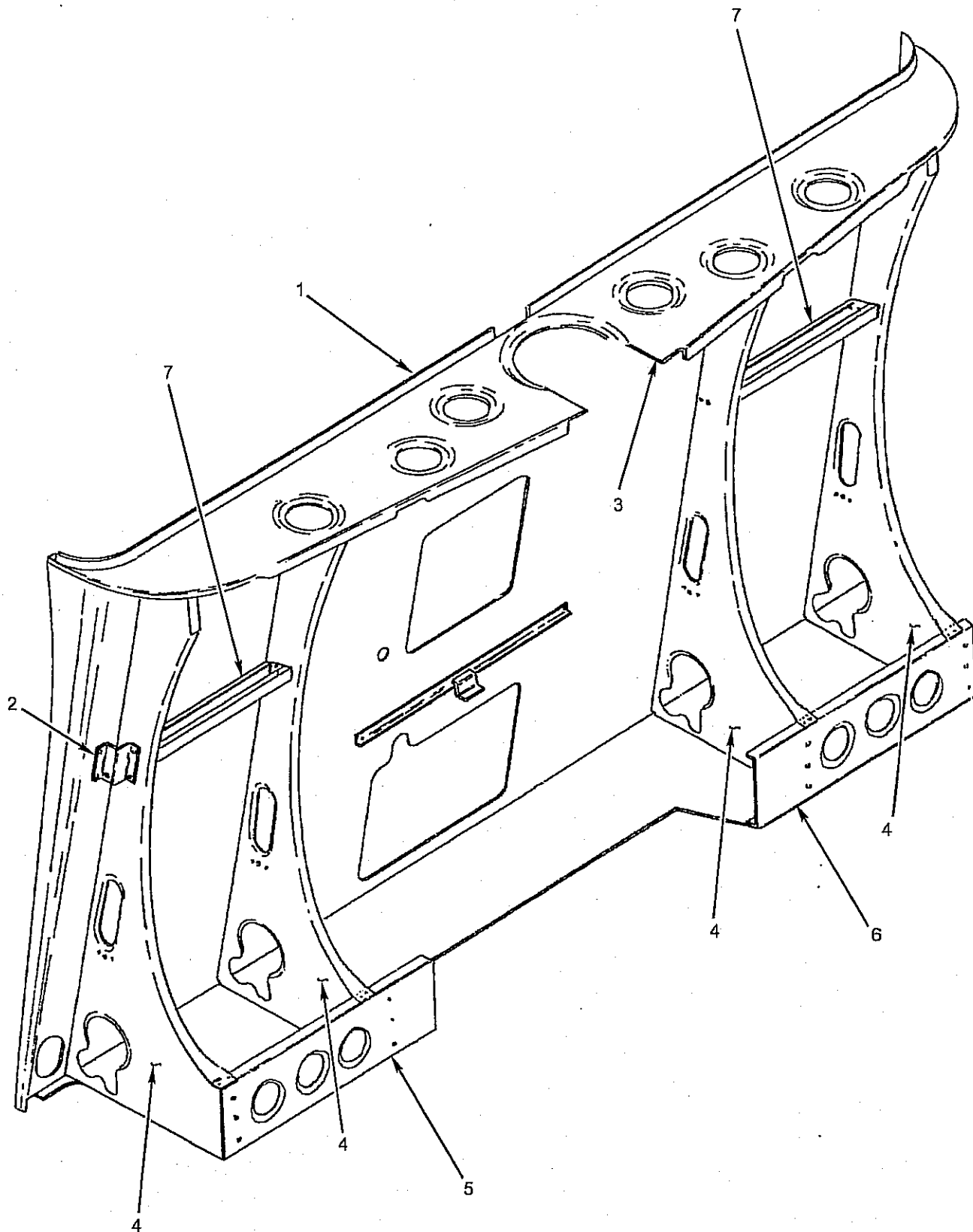


Figure 2-13. Seat Structure

FIGURE & INDEX NUMBER	PART NUMBER	DESCRIPTION	QTY PER ASSY	A/C SERIAL NUMBER AFFECTED
2-13	269A9900-15	SEAT STRUCTURE		
-1	269A9900-815	• SEAT BACK . . . . .	1	
-2	269A7291	• • BRACKET . . . . .	2	
-3	269A2148-3N	• • BEAM . . . . .	1	
-4	269A9403-3	• • TANK BEAM . . . . .	4	
-5	269A9405-1	• • CHANNEL . . . . .	1	
-6	269A9405-2	• • CHANNEL . . . . .	1	
-7	269A4348L	• • ANGLE . . . . .	2	

This page is intentionally left blank.